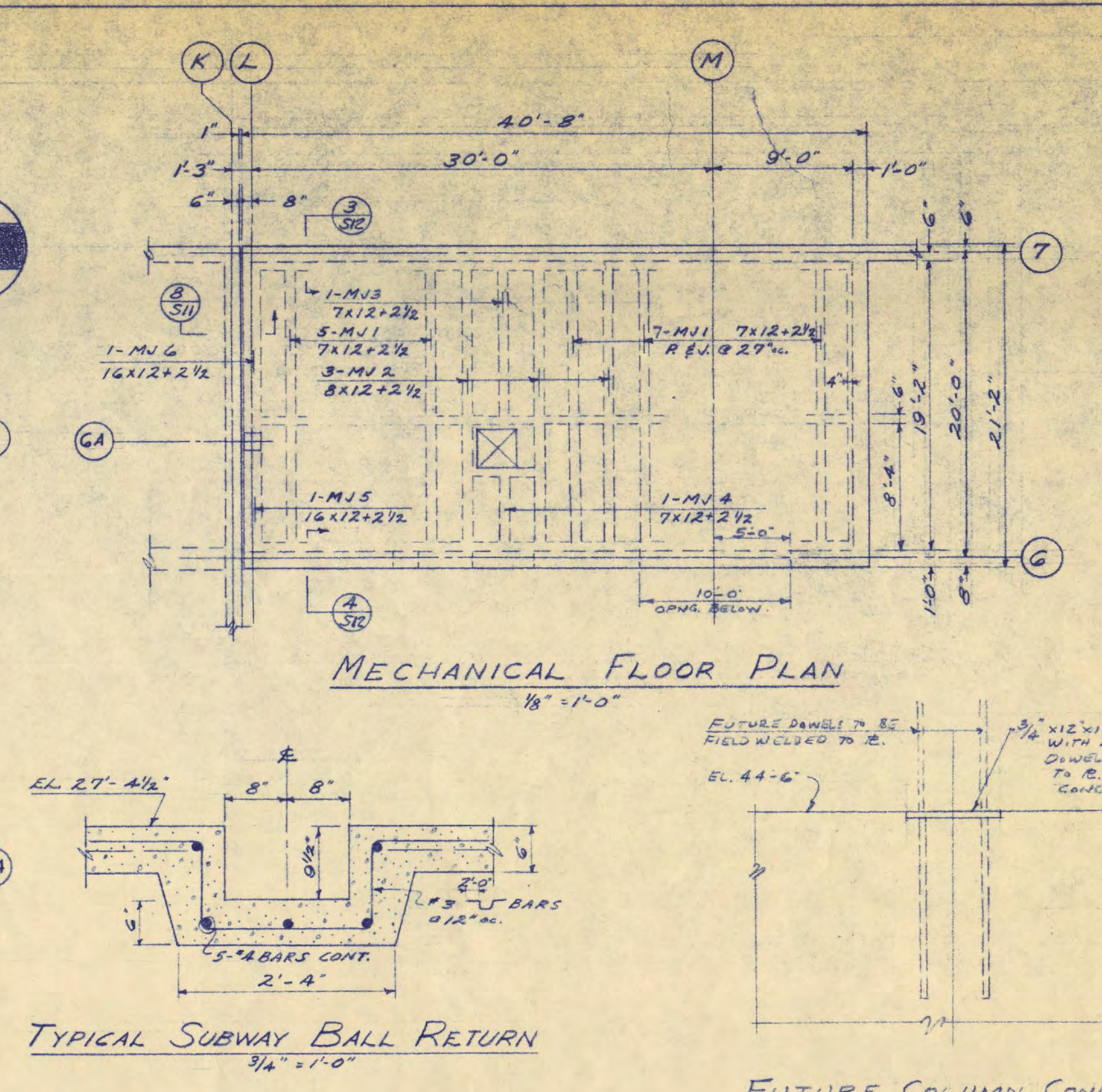
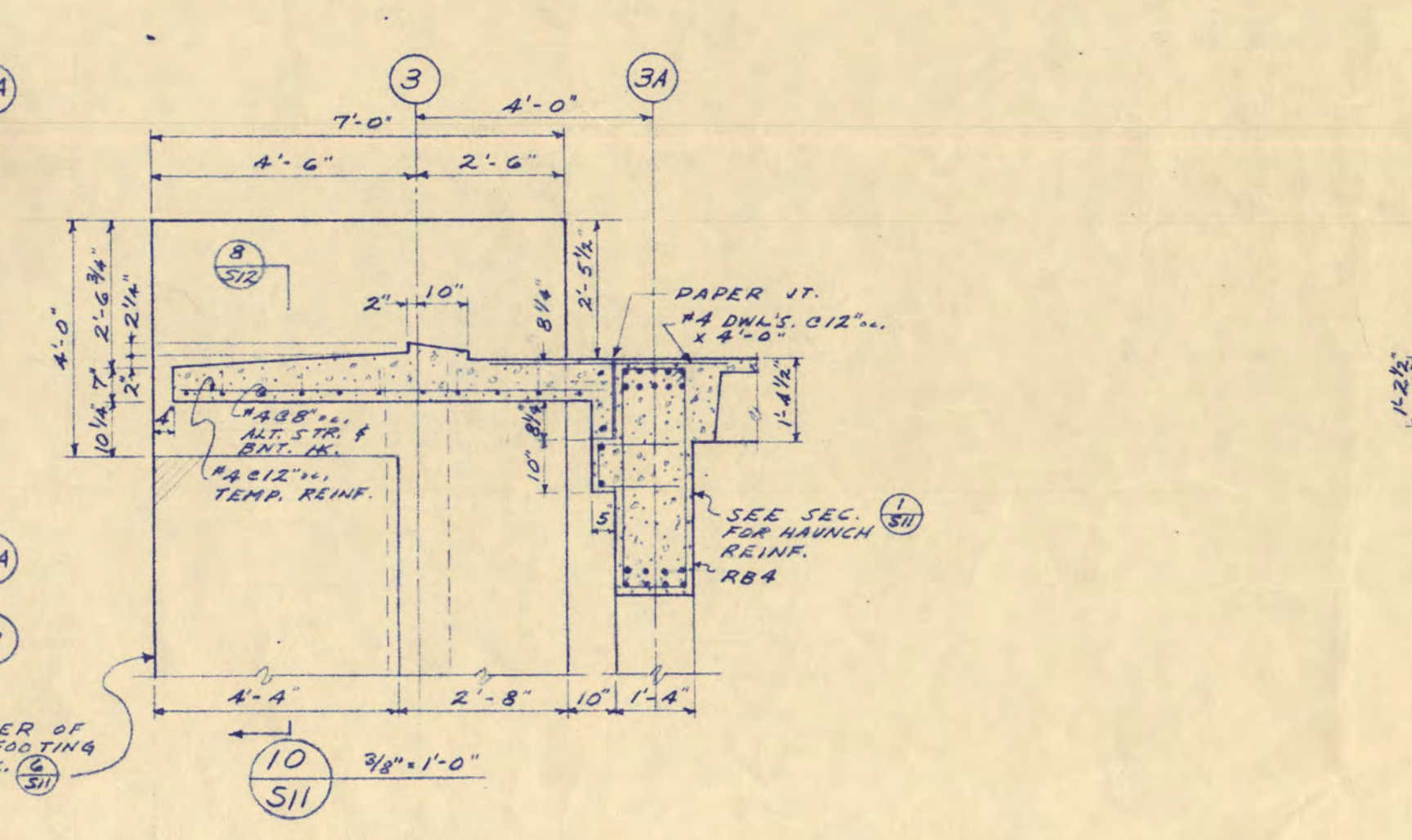


FOOTING & FOUNDATION PLAN — BOWLING ALLEY WING
1/8" = 1'-0"

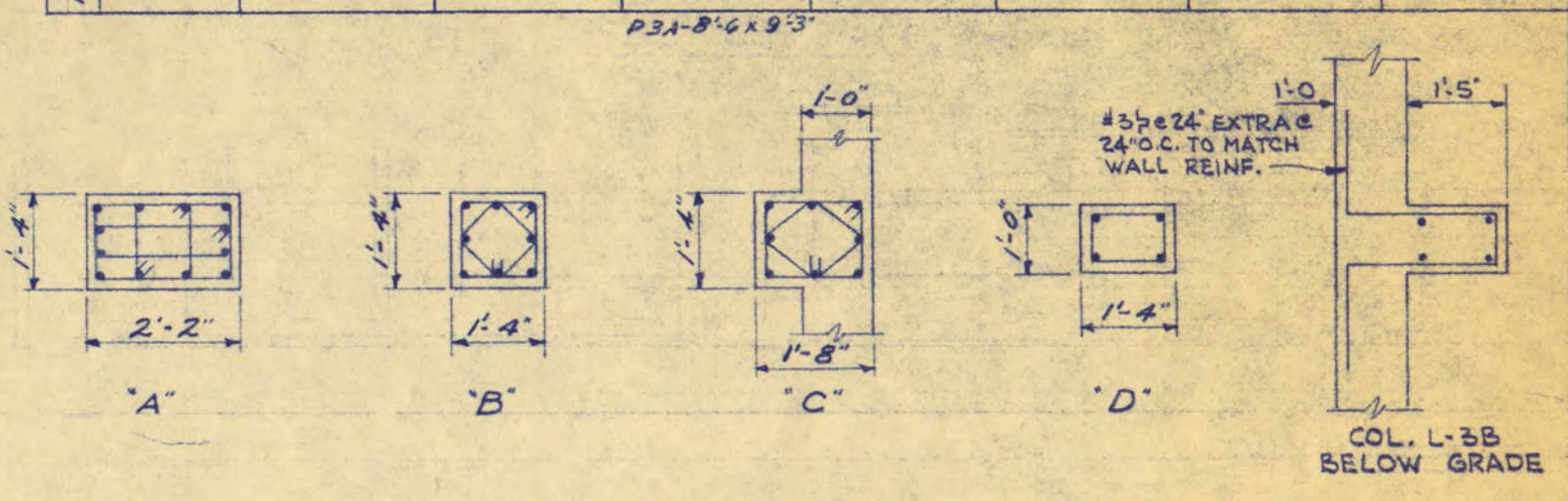


MECHANICAL FLOOR PLAN
1/8" = 1'-0"



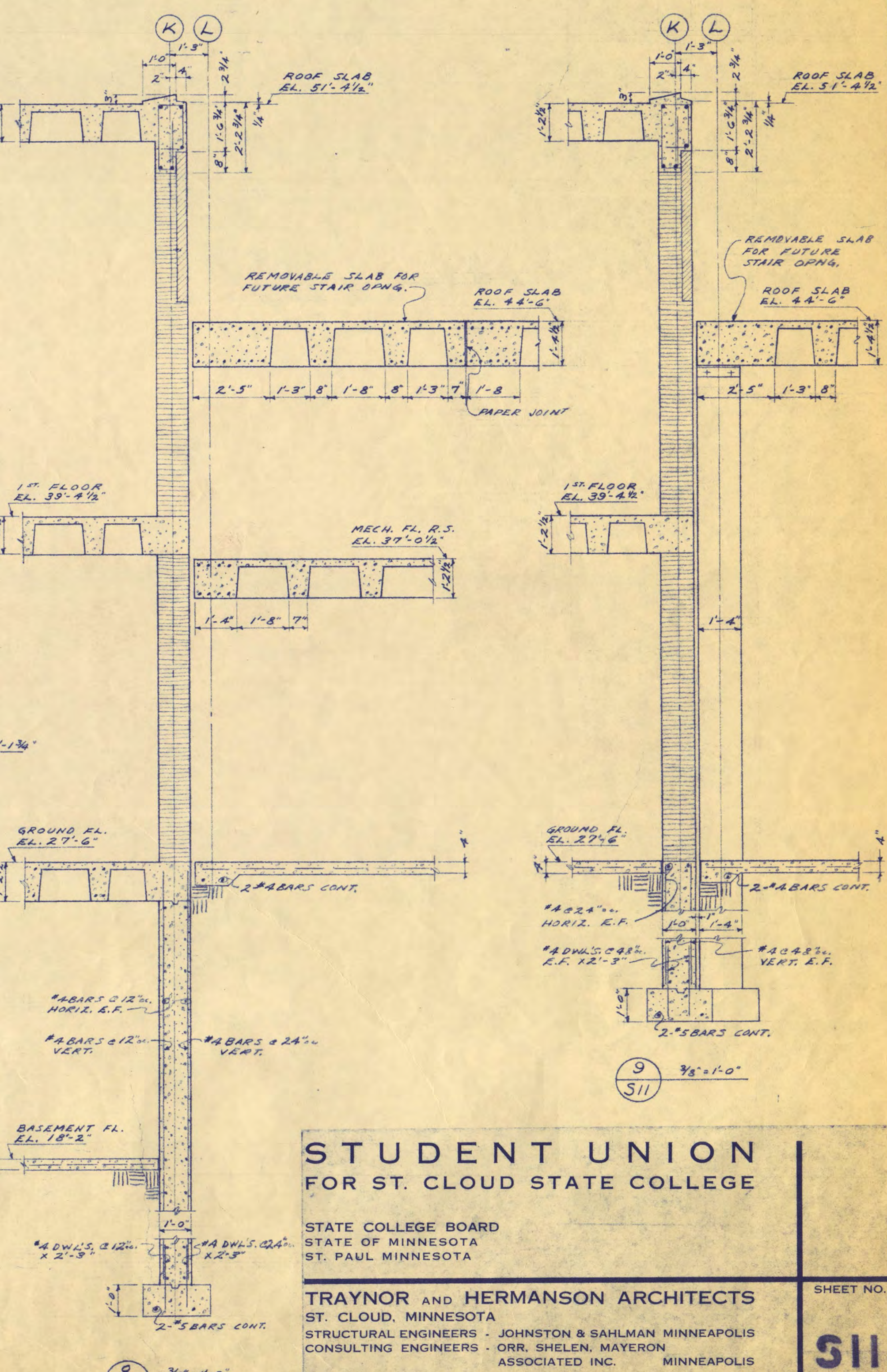
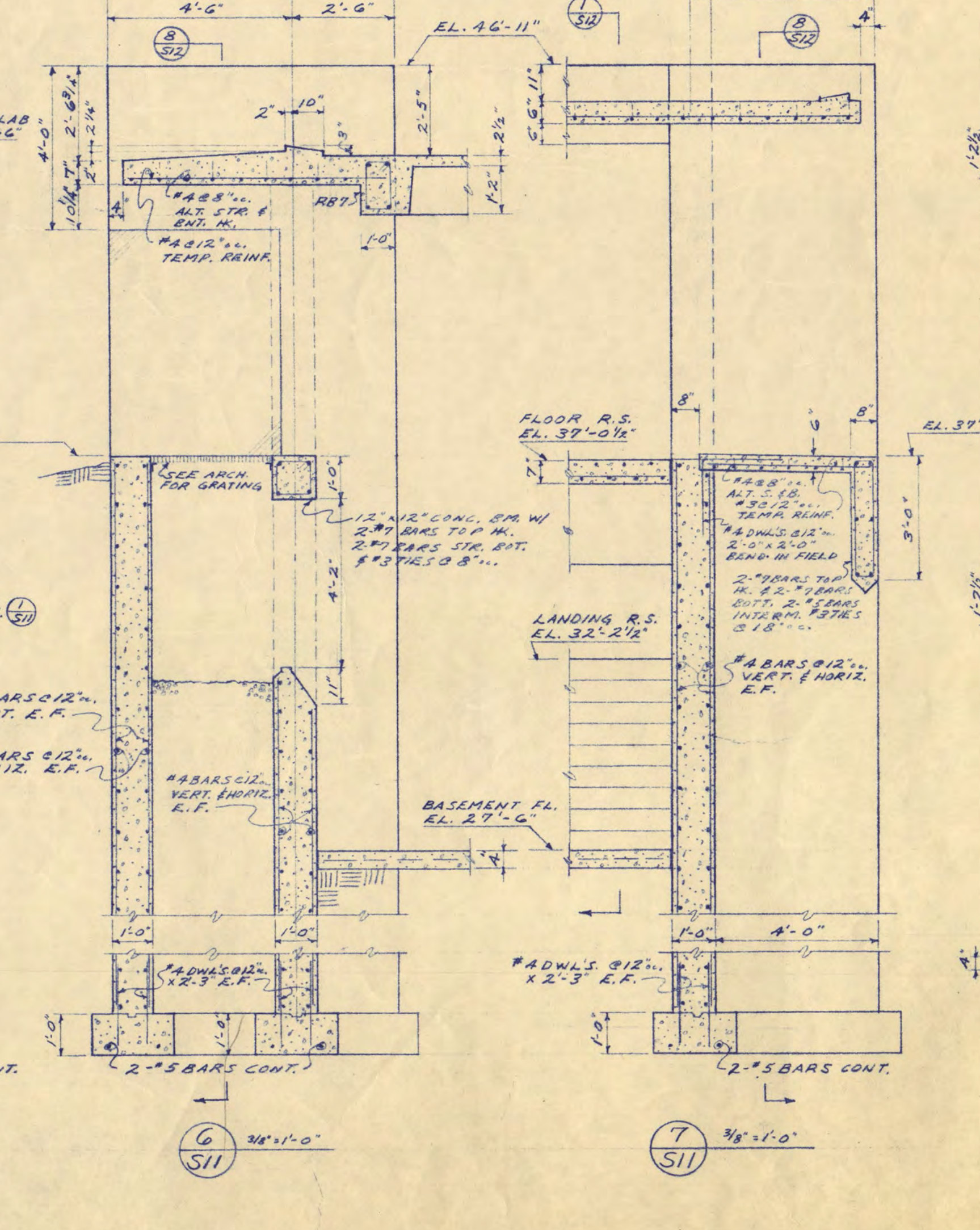
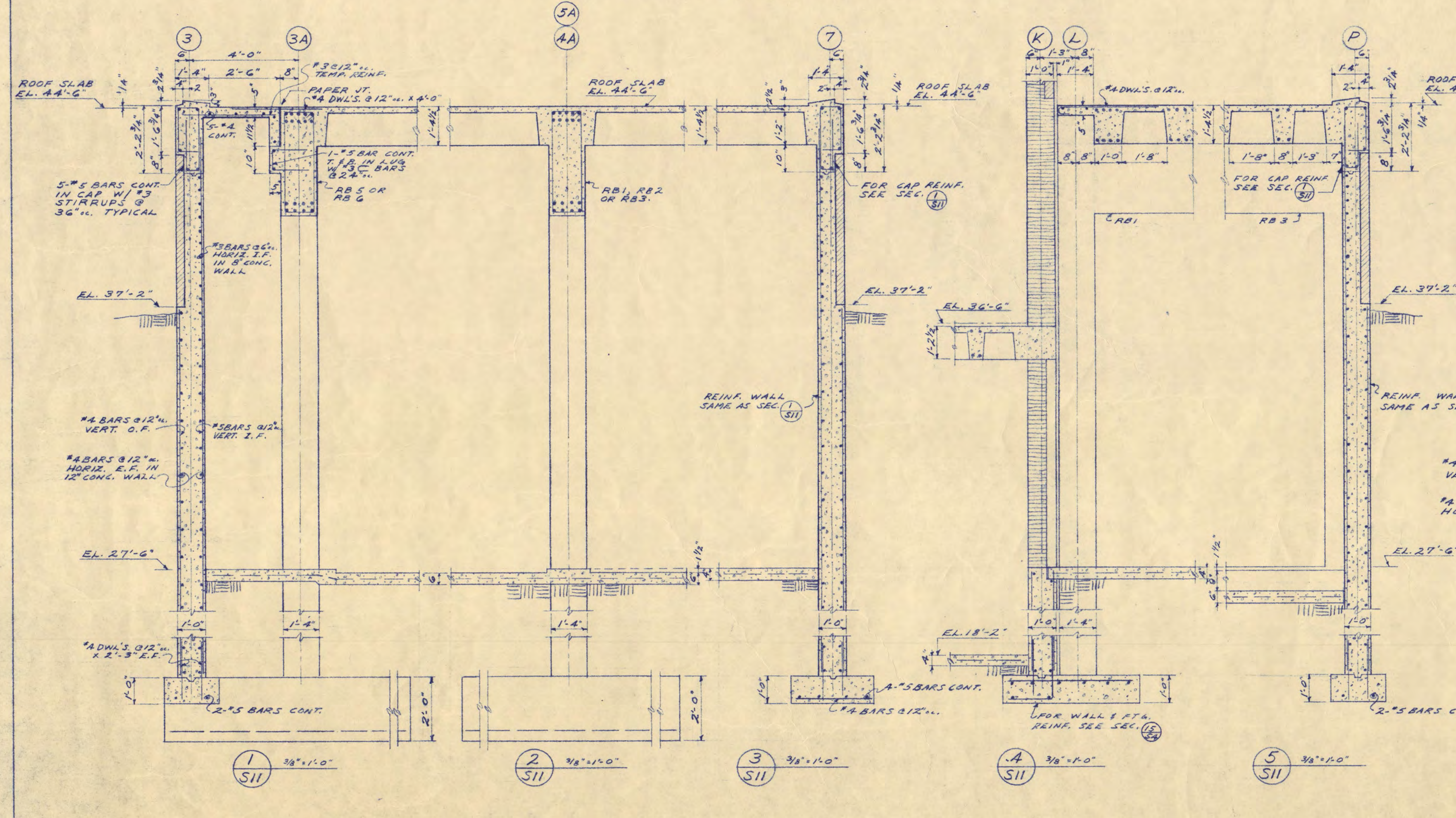
TYPICAL SUBWAY BALL RETURN
3/8" = 1'-0"

COLUMN AND FOOTING SCHEDULE						
COL. NO.	16\"/>					
SIZE	16\"/>					
REIN.	12\"/>					
TIES	#3 @ 18\"/>					
DOWNELS	12\"/>					
FOOTING	SIZE 10\"/>					
REIN.	12\"/>					
EA. WAY	12\"/>					



CONCRETE JOIST SCHEDULE

MARK	L x d	STRAIGHT	BENT	TOP	REMARKS
MJ 1	7x12@2'	1-7'	1-8'	2-7'@10'-0"	
MJ 2	8x12@2'	1-7'	1-8'	2-7'@10'-0"	
MJ 3	7x12@2'	1-7'	1-7'	2-7'@8'-0"	
MJ 4	7x12@2'	2-7'		2-7'@5'-0"	
MJ 5	16x12@2'	4-7'		4-7'	
MJ 6	16x12@2'	2-7'	2-7'	4-7'@10'-0"	



**STUDENT UNION
FOR ST. CLOUD STATE COLLEGE**

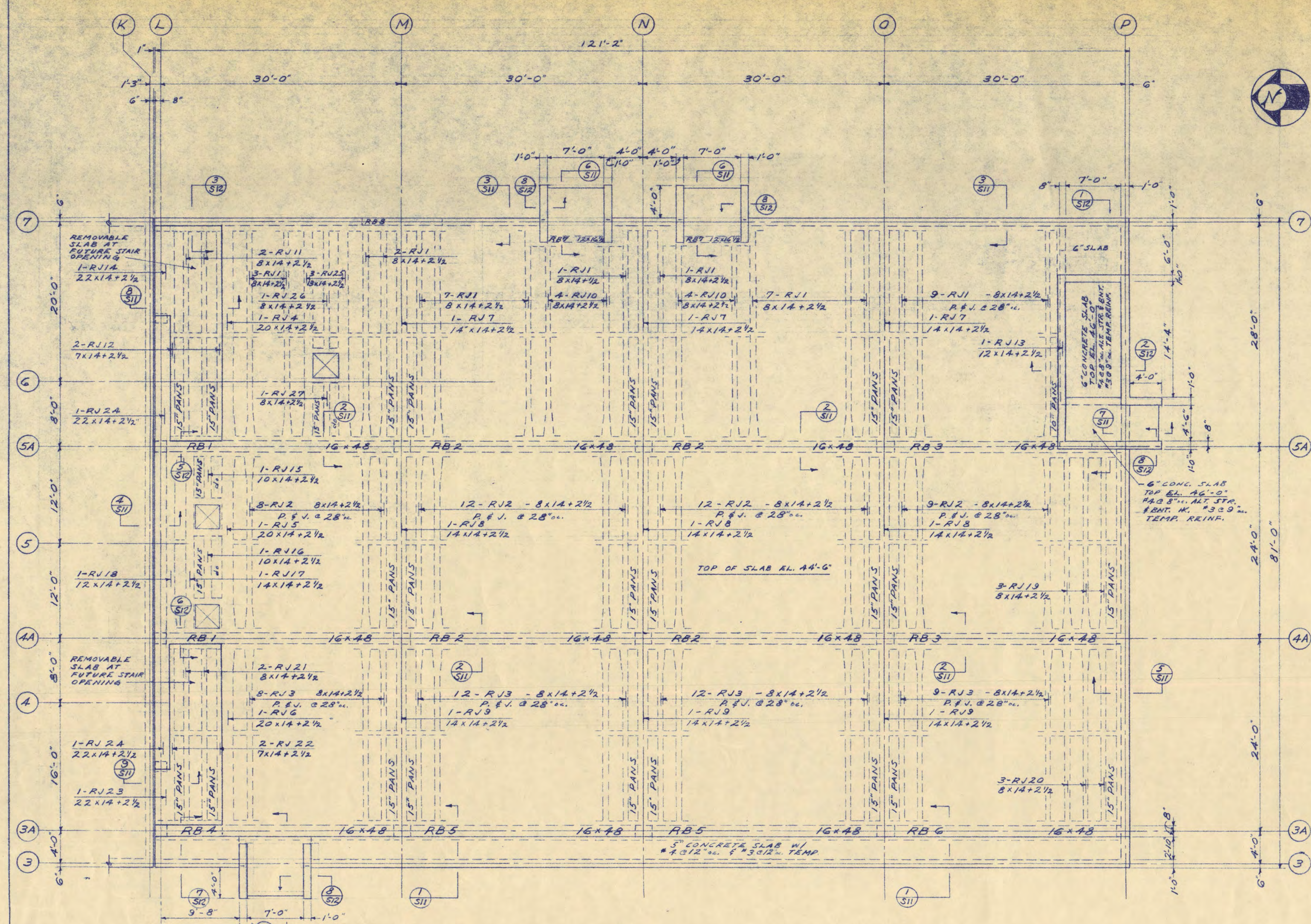
STATE COLLEGE BOARD
STATE OF MINNESOTA
ST. PAUL MINNESOTA

TRAYNOR and HERMANSON ARCHITECTS
ST. CLOUD, MINNESOTA
STRUCTURAL ENGINEERS - JOHNSTON & SAHLMAN MINNEAPOLIS
CONSULTING ENGINEERS - ORR, SHELEN, MAYERON ASSOCIATED INC. MINNEAPOLIS

APPROVED BY _____ DATE _____
APPROVED BY _____ DRAWN E.D.
APPROVED BY _____ CHECKED J.W.S.

FOOTING AND FOUNDATION PLAN
BOWLING WING

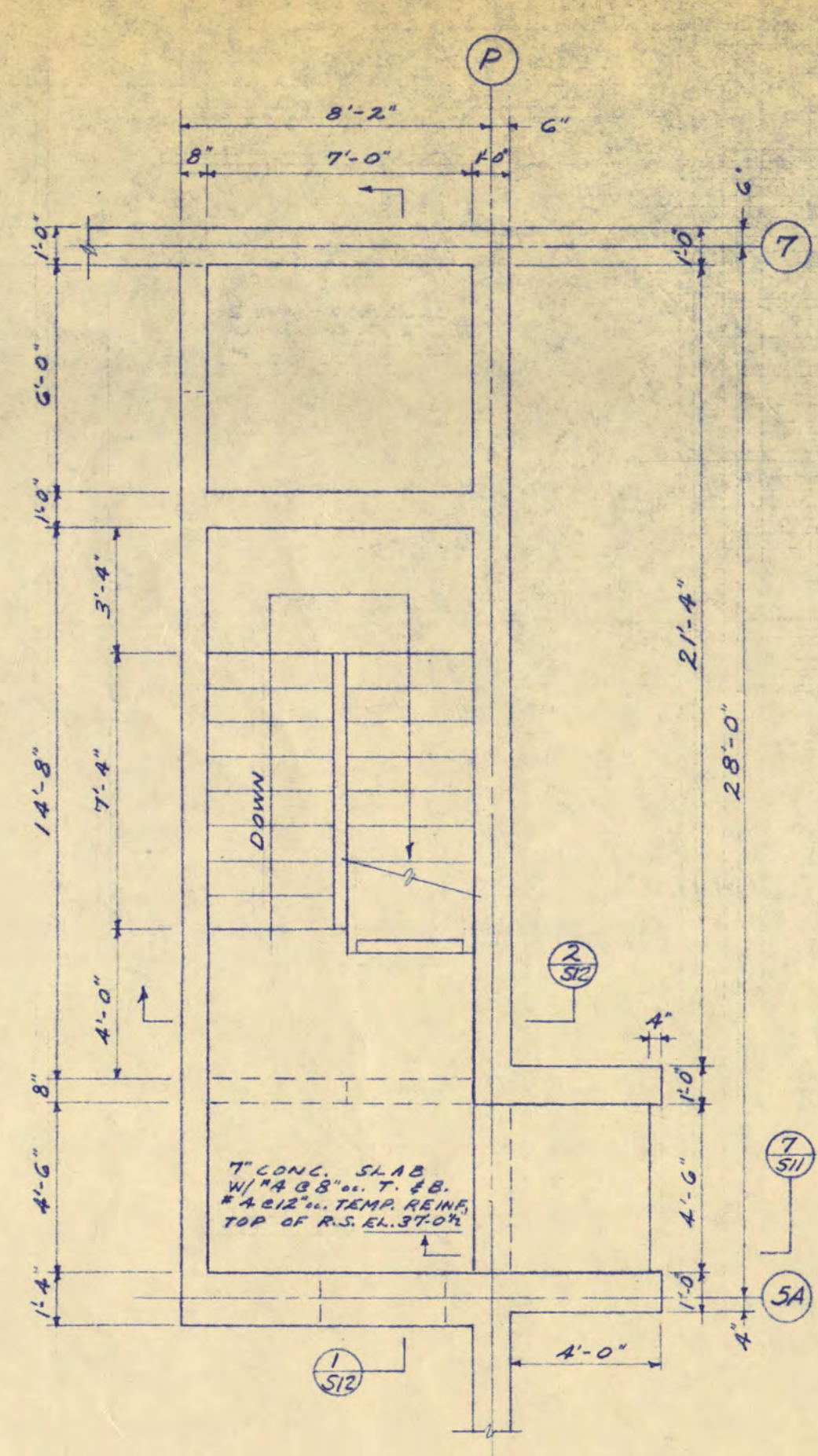
SHEET NO.
511
OF 13
PROJECT NO.
E-2



ROOF FRAMING PLAN - BOWLING ALLEY WING

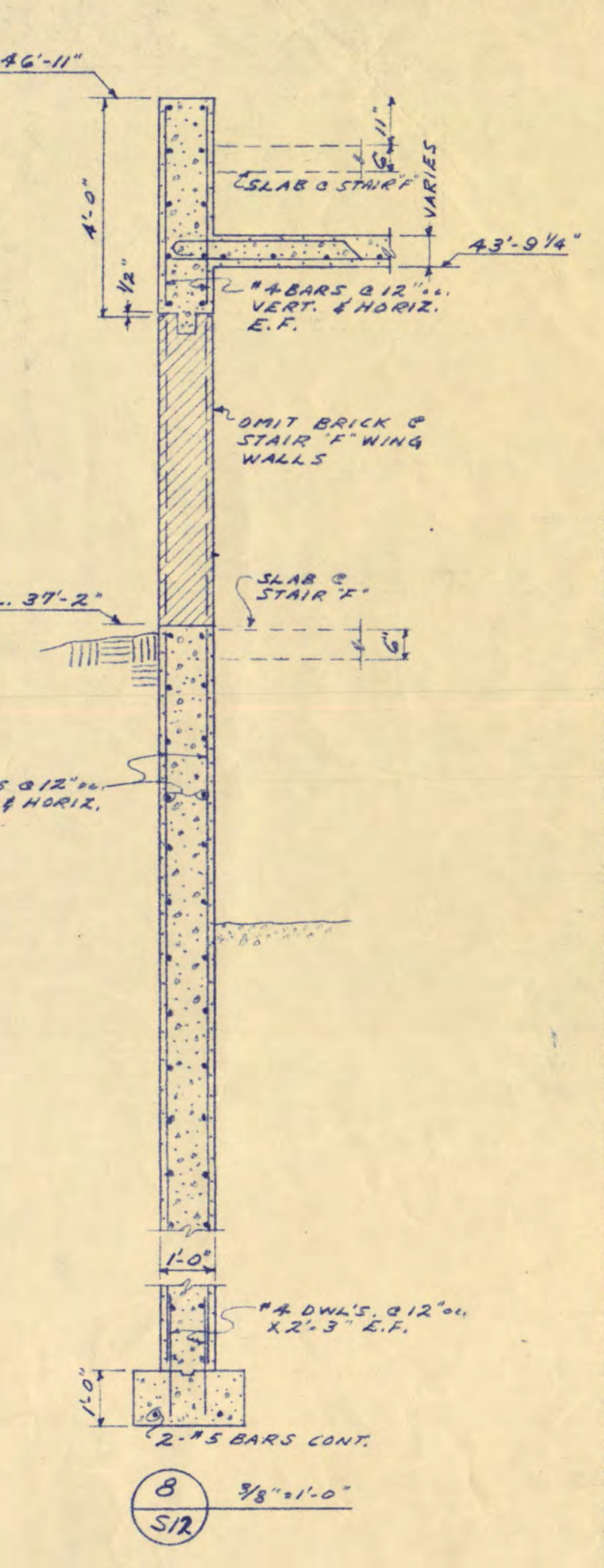
DESIGNED FOR FUTURE FLOOR - 125' L.L.

NOTE:
 #3 BARS 0.12" TEMPERATURE REINFORCING
 IN SLAB TRANSVERSE TO JOIST
 1" BARS CONT. TOP & BOTTOM IN BRIDGING
 JOIST

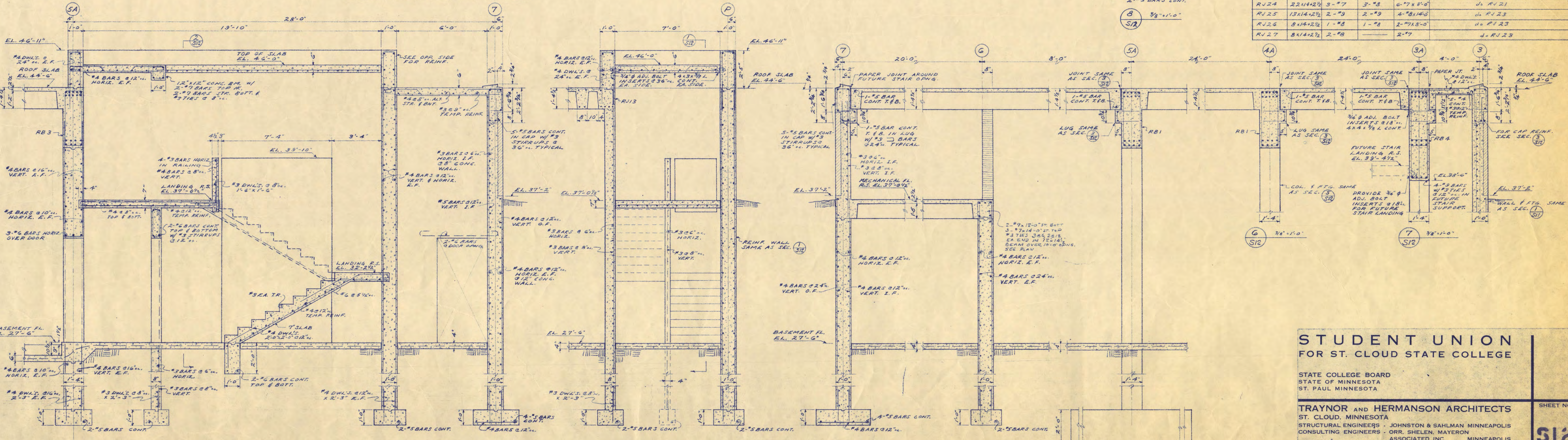


STAIR F - FRAMING PLAN

MARK	SIZE	REINFORCING		POSITION OF REINF.		STIRRUPS	REMARKS
		NO.	SIZE	TOP	BOTT.		
RB1	16 x 48	2	#8	17'-0"	17'-0"	#4	INTERIOR BEAMS TO EL. 10'-0" ON SPAN. BOTTOM BARS PLACED IN TWO LAYERS.
RB2	16 x 48	2	#8	17'-0"	17'-0"	#4	SPAN FOR BOTTOM BARS TO BE PLACED IN TWO LAYERS.
RB3	16 x 48	2	#8	17'-0"	17'-0"	#4	LAP TOP BARS AT MID-SPAN. BOTTOM BARS TO BE PLACED IN TWO LAYERS.
RB4	16 x 48	2	#8	17'-0"	17'-0"	#4	SPAN FOR BOTTOM BARS TO BE PLACED IN TWO LAYERS.
RB5	16 x 48	2	#8	17'-0"	17'-0"	#4	SPAN FOR BOTTOM BARS TO BE PLACED IN TWO LAYERS.
RB6	16 x 48	2	#8	17'-0"	17'-0"	#4	SPAN FOR BOTTOM BARS TO BE PLACED IN TWO LAYERS.
RB7	12 x 16	2	#8	10'-0"	10'-0"	#4	SPAN FOR BOTTOM BARS TO BE PLACED IN TWO LAYERS.



MARK	S x D	STRAIGHT	BENT	TOP	REMARKS
RJ1	8x14+2 1/2	1-07	1-07	2-0x14+0	CENTER TOP BARS ON E. OF SPAN. M. BENT BAR AT EXTERIOR END.
RJ2	8x14+2 1/2	1-07	1-07	2-0x14+0	CENTER TOP BARS ON E. OF SPAN. M. BENT BAR AT EXTERIOR END.
RJ3	8x14+2 1/2	1-07	1-07	2-0x14+0	CENTER TOP BARS ON E. OF SPAN. M. BENT BAR AT EXTERIOR END.
RJ4	20x14+2 1/2	3-07	3-07	6-0x14+0	do RJ1
RJ5	20x14+2 1/2	3-07	3-07	6-0x14+0	do RJ2
RJ6	20x14+2 1/2	3-07	3-07	6-0x14+0	do RJ3
RJ7	14x14+2 1/2	2-07	2-07	4-0x14+0	do RJ1
RJ8	14x14+2 1/2	2-07	2-07	4-0x14+0	do RJ2
RJ9	14x14+2 1/2	2-07	2-07	4-0x14+0	do RJ3
RJ10	8x14+2 1/2	1-07	1-07	2-0x14+0	CENTER TOP BARS ON E. OF SPAN. M. BENT BAR AT EXTERIOR END.
RJ11	8x14+2 1/2	1-07	1-07	2-0x14+0	CENTER TOP BARS ON E. OF SPAN. M. BENT BAR AT EXTERIOR END.
RJ12	7x14+2 1/2	1-07	1-07	2-0x14+0	do RJ11
RJ13	12x14+2 1/2	2-07	2-07	4-0x14+0	CENTER TOP BARS ON E. OF SPAN. M. BENT BAR AT EXTERIOR END.
RJ14	22x14+2 1/2	4-07	4-07	8-0x14+0	do RJ13
RJ15	10x14+2 1/2	2-07	1-07	4-0x14+0	M. BENT BAR AT E.A. END.
RJ16	10x14+2 1/2	2-07	1-07	4-0x14+0	M. BENT BAR AT E.A. END.
RJ17	14x14+2 1/2	2-07	2-07	4-0x14+0	CENTER TOP BARS ON E. OF SPAN. M. BENT BAR AT EXTERIOR END.
RJ18	12x14+2 1/2	2-07	2-07	4-0x14+0	do RJ17
RJ19	8x14+2 1/2	1-07	1-07	2-0x14+0	do RJ3
RJ20	8x14+2 1/2	1-07	1-07	2-0x14+0	do RJ3
RJ21	8x14+2 1/2	1-07	1-07	2-0x14+0	CENTER TOP BARS ON E. OF SPAN. M. BENT BAR AT EXTERIOR END.
RJ22	7x14+2 1/2	1-07	1-07	2-0x14+0	do RJ21
RJ23	22x14+2 1/2	4-07	4-07	8-0x14+0	CENTER TOP BARS ON E. OF SPAN. M. BENT BAR AT EXTERIOR END.
RJ24	22x14+2 1/2	4-07	4-07	8-0x14+0	do RJ23
RJ25	13x14+2 1/2	2-07	2-07	4-0x14+0	do RJ23
RJ26	8x14+2 1/2	1-07	1-07	2-0x14+0	do RJ23
RJ27	8x14+2 1/2	2-07	2-07	4-0x14+0	do RJ23



STUDENT UNION FOR ST. CLOUD STATE COLLEGE

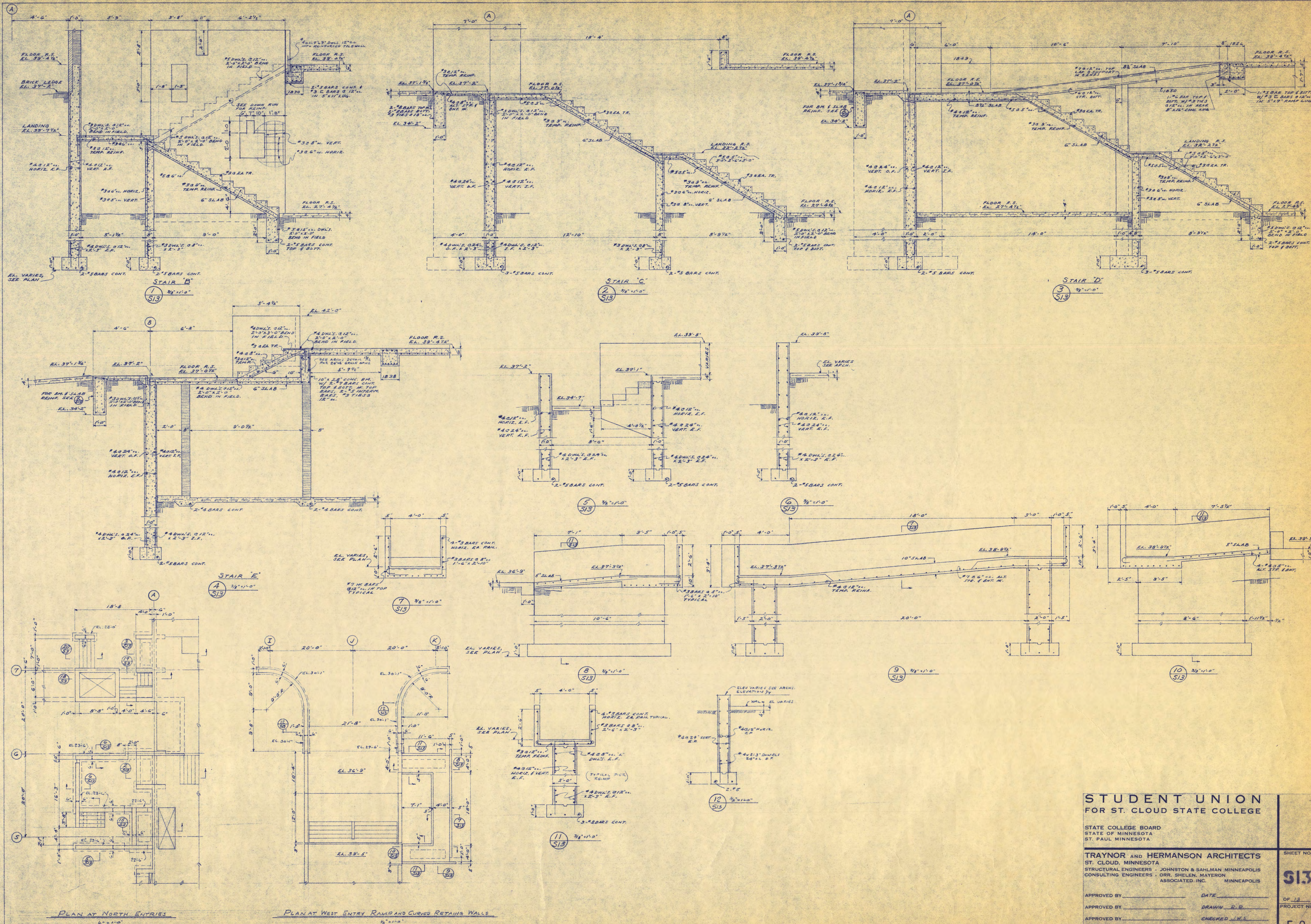
STATE COLLEGE BOARD
 STATE OF MINNESOTA
 ST. PAUL MINNESOTA

TRAYNOR AND HERMANSON ARCHITECTS
 ST. CLOUD, MINNESOTA
 STRUCTURAL ENGINEERS - JOHNSTON & SAHLMAN MINNEAPOLIS
 CONSULTING ENGINEERS - ORR, SHELEN, MATYERON ASSOCIATED INC. MINNEAPOLIS

APPROVED BY _____ DATE _____
 APPROVED BY _____ DRAWN BY _____
 APPROVED BY _____ CHECKED BY _____

ROOF FRAMING PLAN BOWLING WING

SHEET NO. **512**
 OF 13
 PROJECT NO. _____
 E-2



**STUDENT UNION
FOR ST. CLOUD STATE COLLEGE**

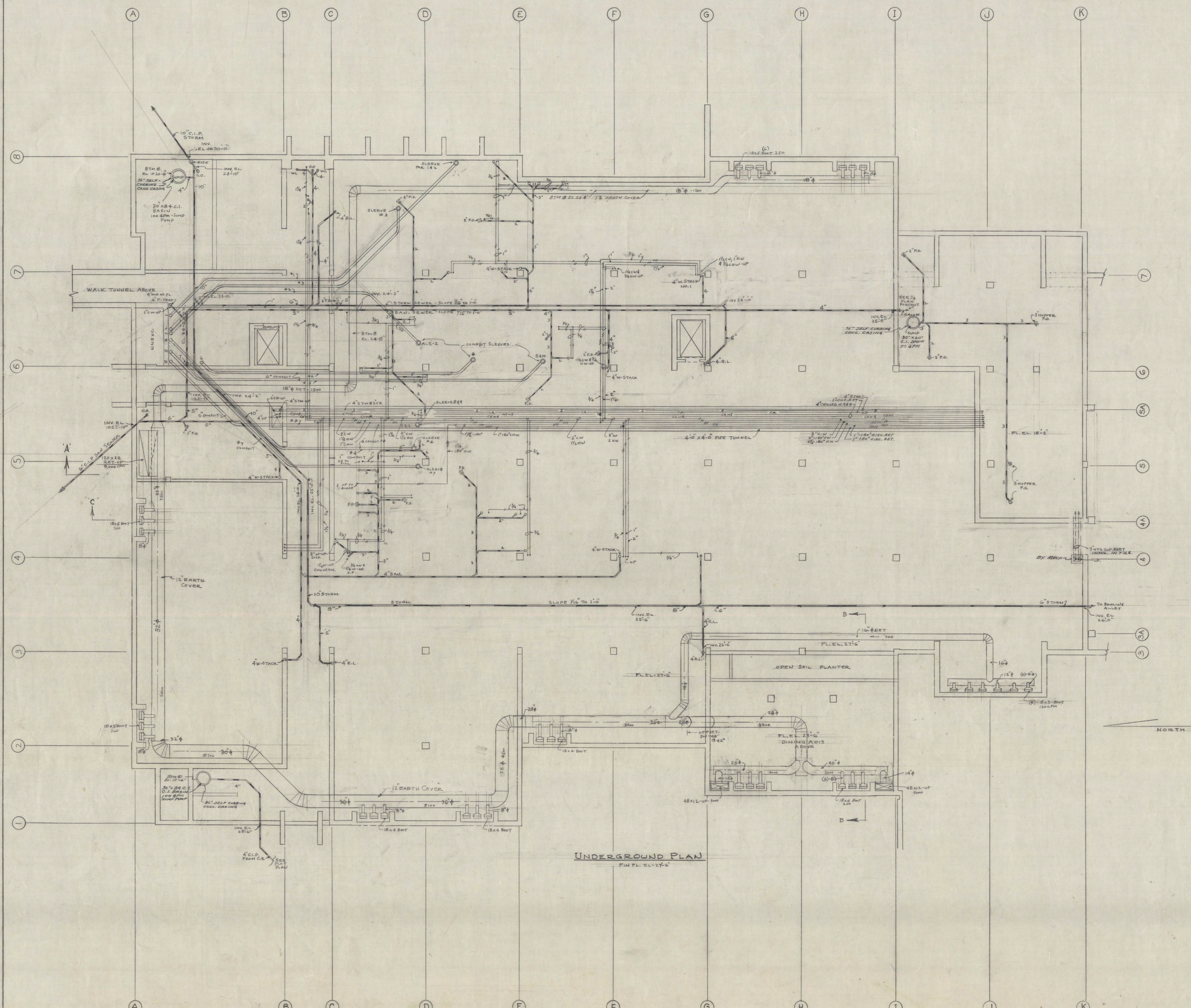
STATE COLLEGE BOARD
STATE OF MINNESOTA
ST. PAUL MINNESOTA

TRAYNOR AND HERMANSON ARCHITECTS
ST. CLOUD, MINNESOTA
STRUCTURAL ENGINEERS - JOHNSTON & SAHLMAN MINNEAPOLIS
CONSULTING ENGINEERS - ORR, SHELEN, MAYERSON ASSOCIATED, INC. MINNEAPOLIS

APPROVED BY _____ DATE _____
DRAWN BY _____
CHECKED BY _____

ENTRY PLANS AND SECTIONS

SHEET NO.
513
OF 13
PROJECT NO.
E-2



UNDERGROUND PLAN
F.W. PL. EL. 27'-0"

STUDENT UNION
FOR ST. CLOUD STATE COLLEGE

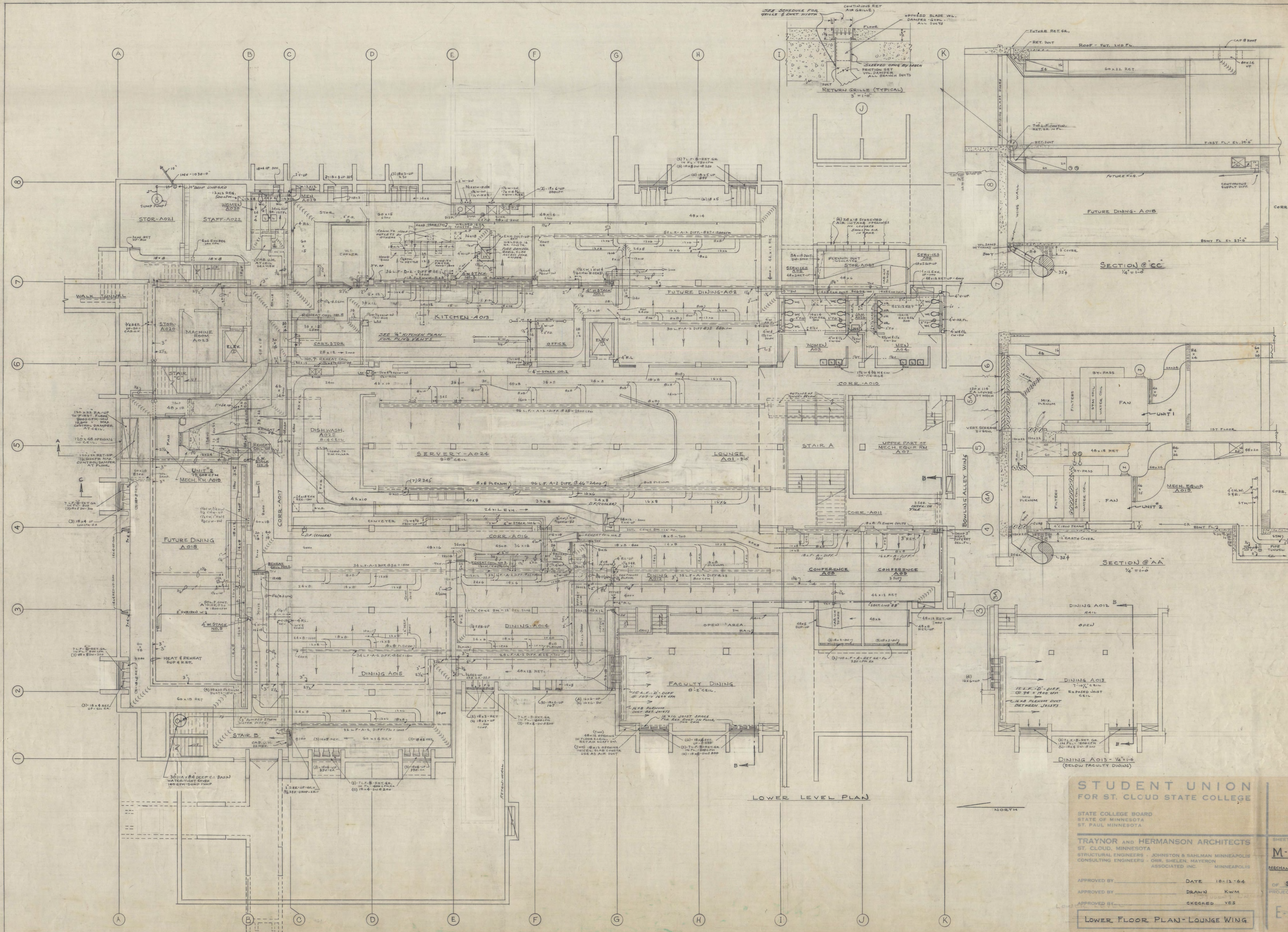
STATE COLLEGE BOARD
STATE OF MINNESOTA
ST. PAUL, MINNESOTA

TRAYNOR AND HERMANSON ARCHITECTS
ST. CLOUD, MINNESOTA
STRUCTURAL ENGINEERS - JOHNSTON & SUELMAN MINNEAPOLIS
CONSULTING ENGINEERS - J.R. SHELEN, HAYTERON
ASSOCIATED INC. MINNEAPOLIS

APPROVED BY _____ DATE - 10-12-64
APPROVED BY _____ DRAWN - KWM
APPROVED BY _____ CHECKED - VES

UNDERGROUND PLAN - LOUNGE WING

SHEET NO.
M-2
MECHANICAL
OF 19
PROJECT NO.
E-2



**STUDENT UNION
FOR ST. CLOUD STATE COLLEGE**

STATE COLLEGE BOARD
STATE OF MINNESOTA
ST. PAUL, MINNESOTA

TRAYNOR AND HERMANSON ARCHITECTS
ST. CLOUD, MINNESOTA
STRUCTURAL ENGINEERS - JOHNSTON & SAHLMAN MINNEAPOLIS
CONSULTING ENGINEERS - ORR, SHELEN, MAYERSON ASSOCIATED INC. MINNEAPOLIS

APPROVED BY _____ DATE 10-12-64
APPROVED BY _____ DRAWN KWM
APPROVED BY _____ CHECKED YES

LOWER FLOOR PLAN - LOUNGE WING

SHEET NO. **M-3**
MECHANICAL
OF 9
PROJECT NO. **E-2**