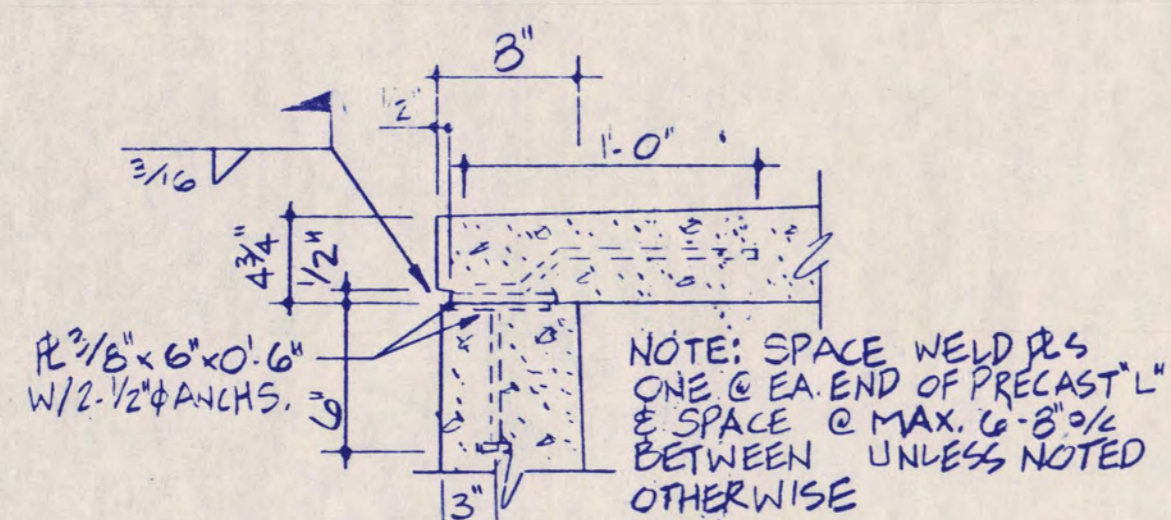
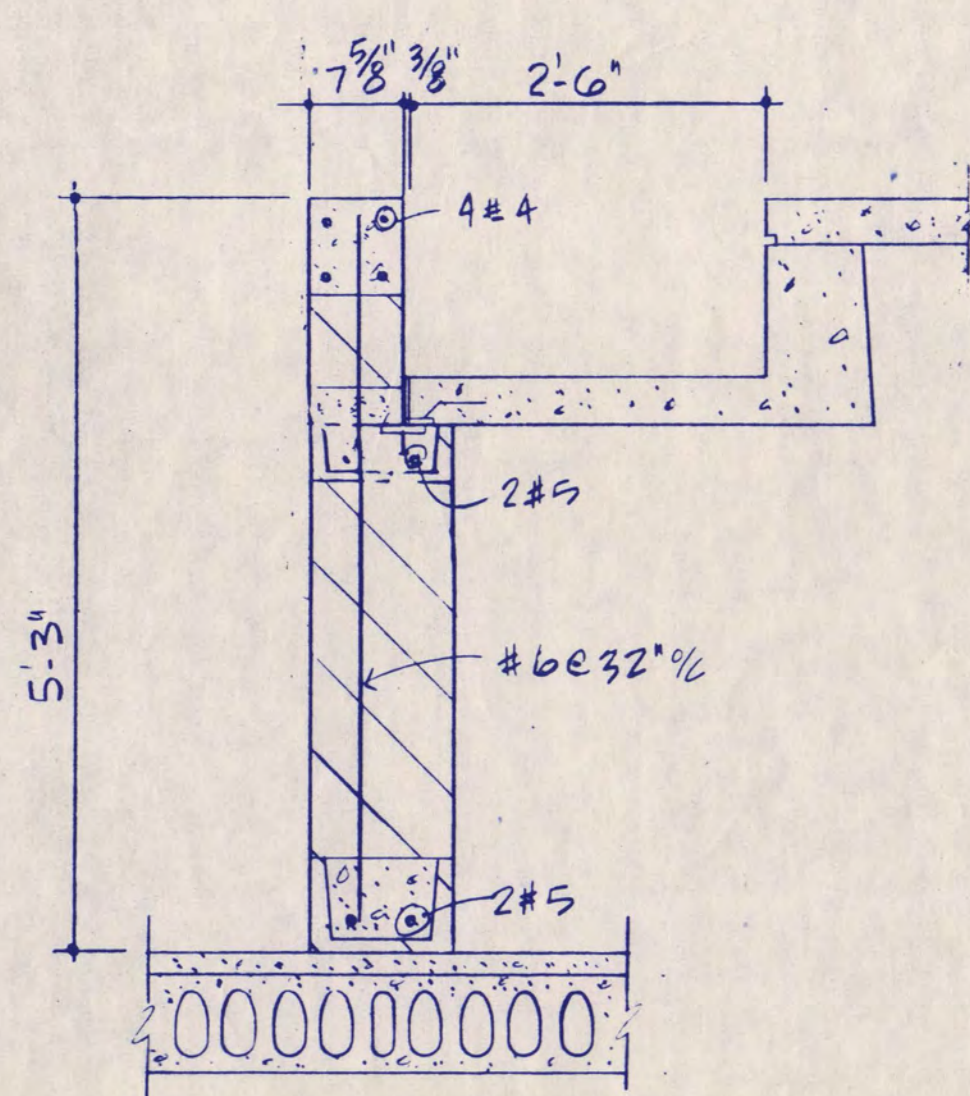


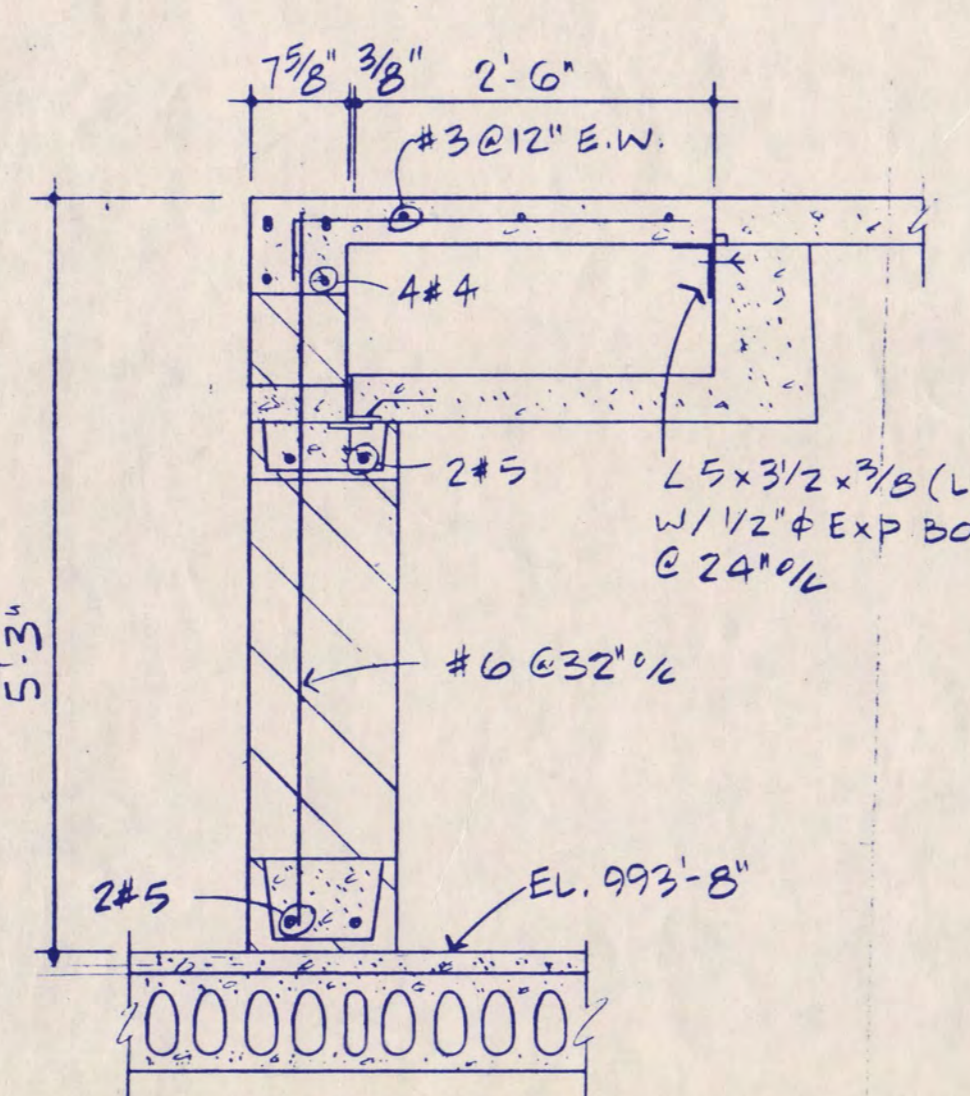
S6-1 SECTION 1
1/8" = 1'-0"



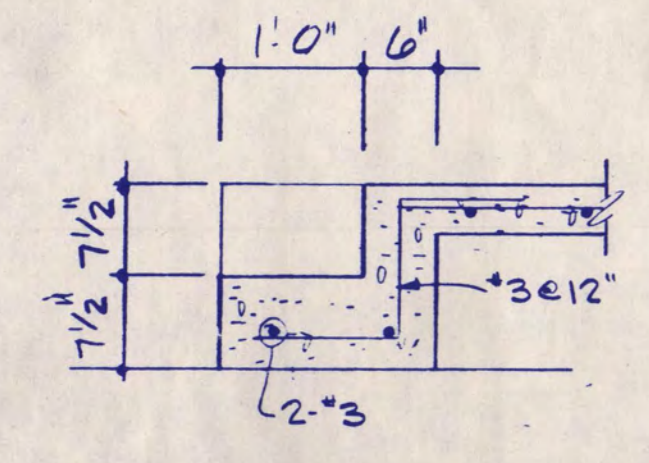
S6-1 DETAIL 8
1/2" = 1'-0"



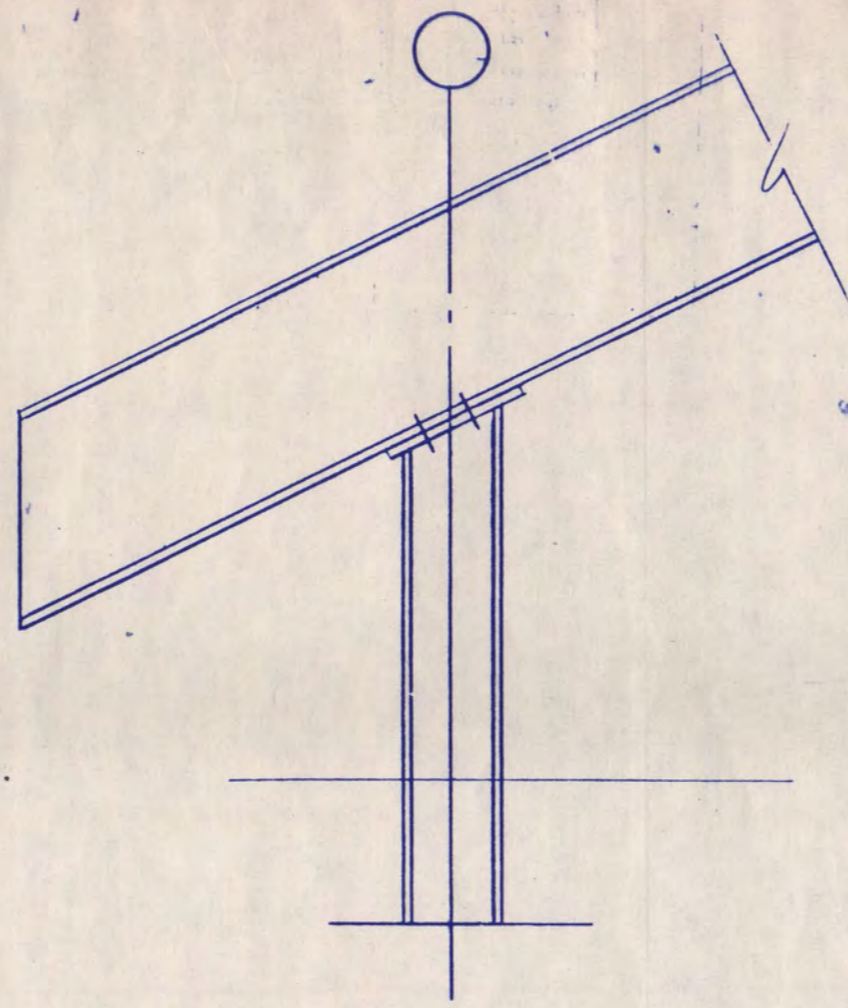
S6-1 SECTION 9
3/4" = 1'-0"



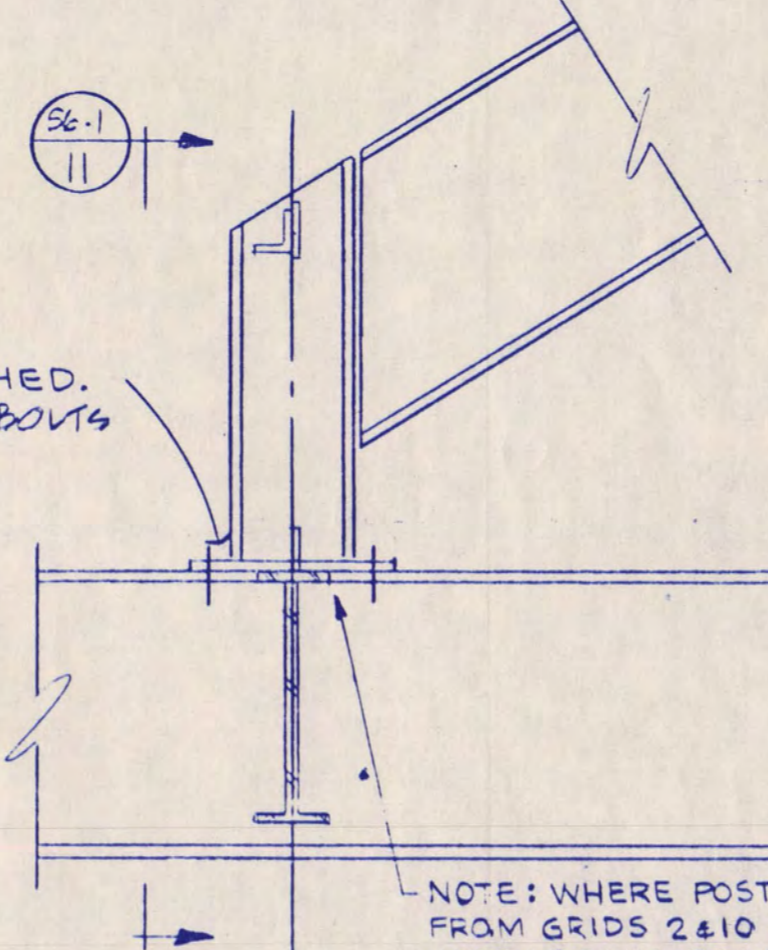
S6-1 SECTION 10
3/4" = 1'-0"



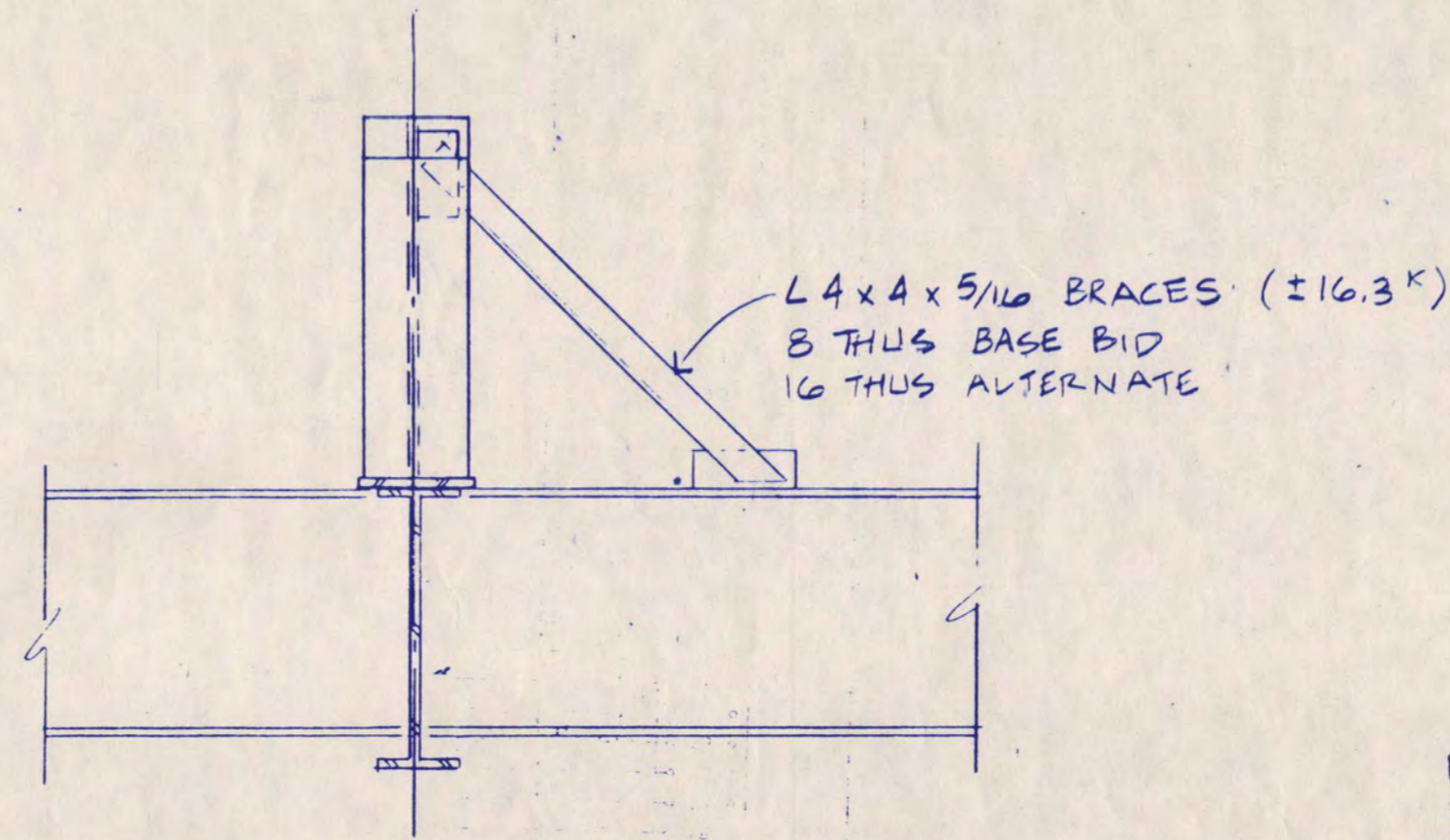
S6-1 SECTION 14
3/4" = 1'-0"



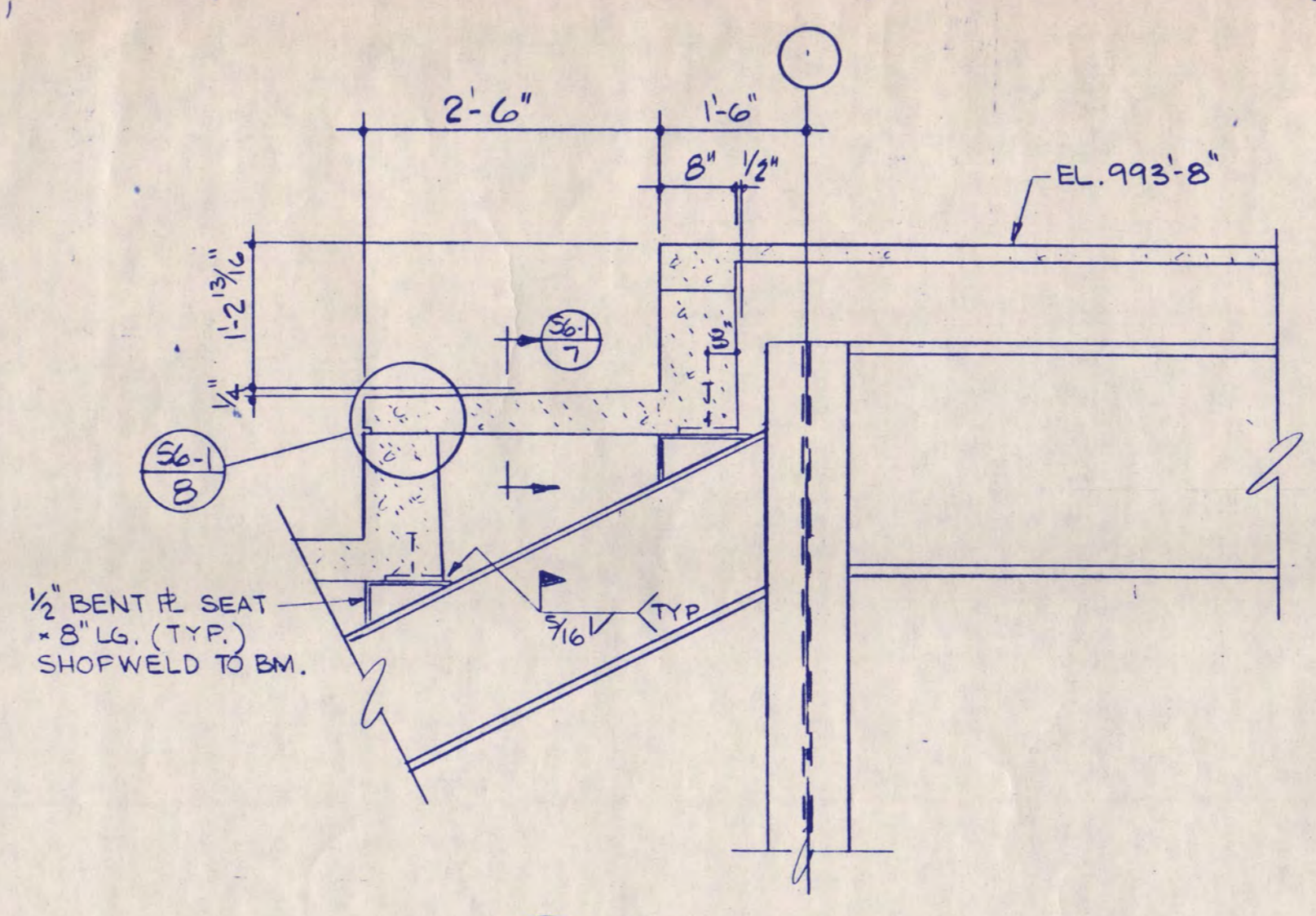
S6-1 SECTION 2
3/4" = 1'-0"



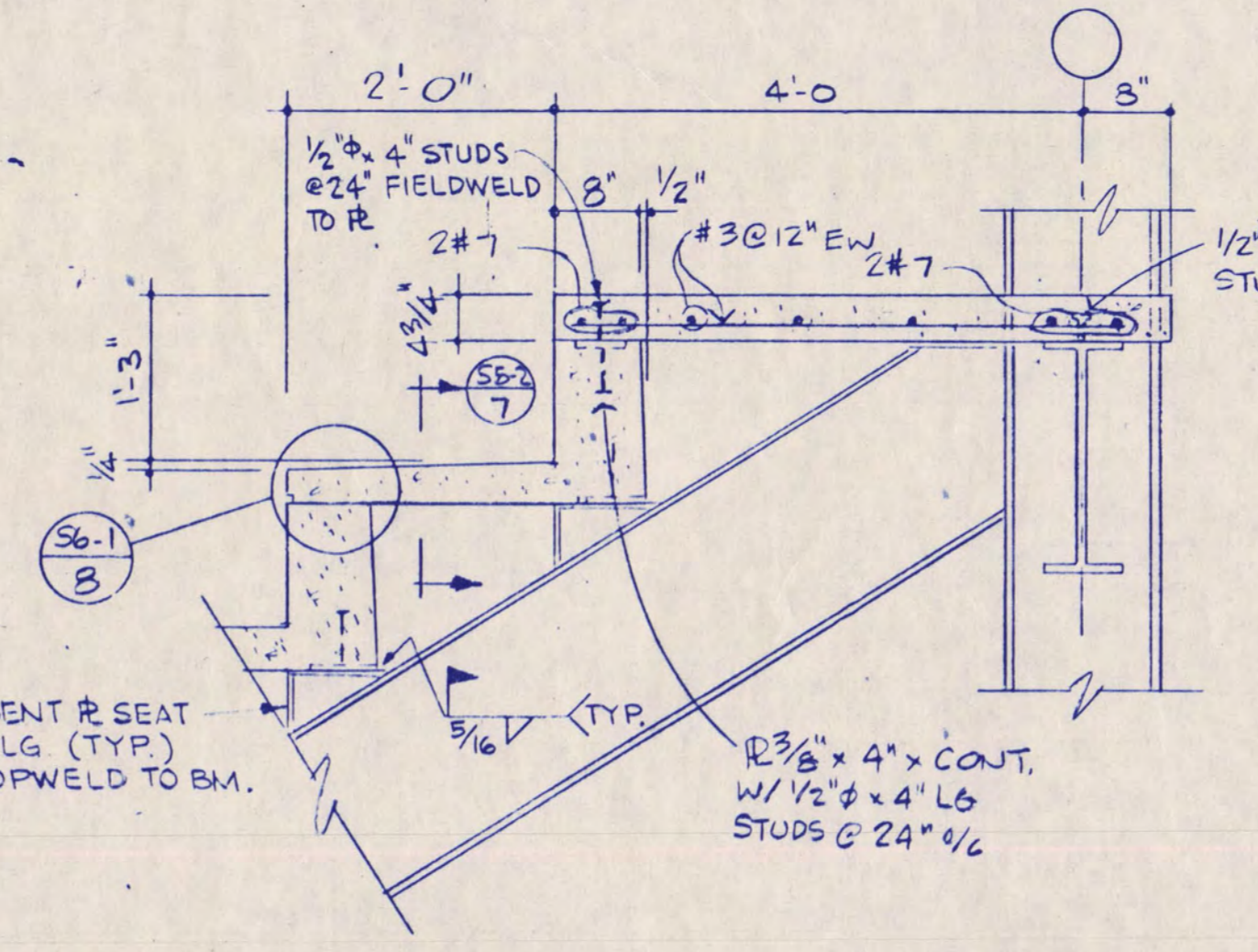
S6-1 SECTION 5
3/4" = 1'-0"



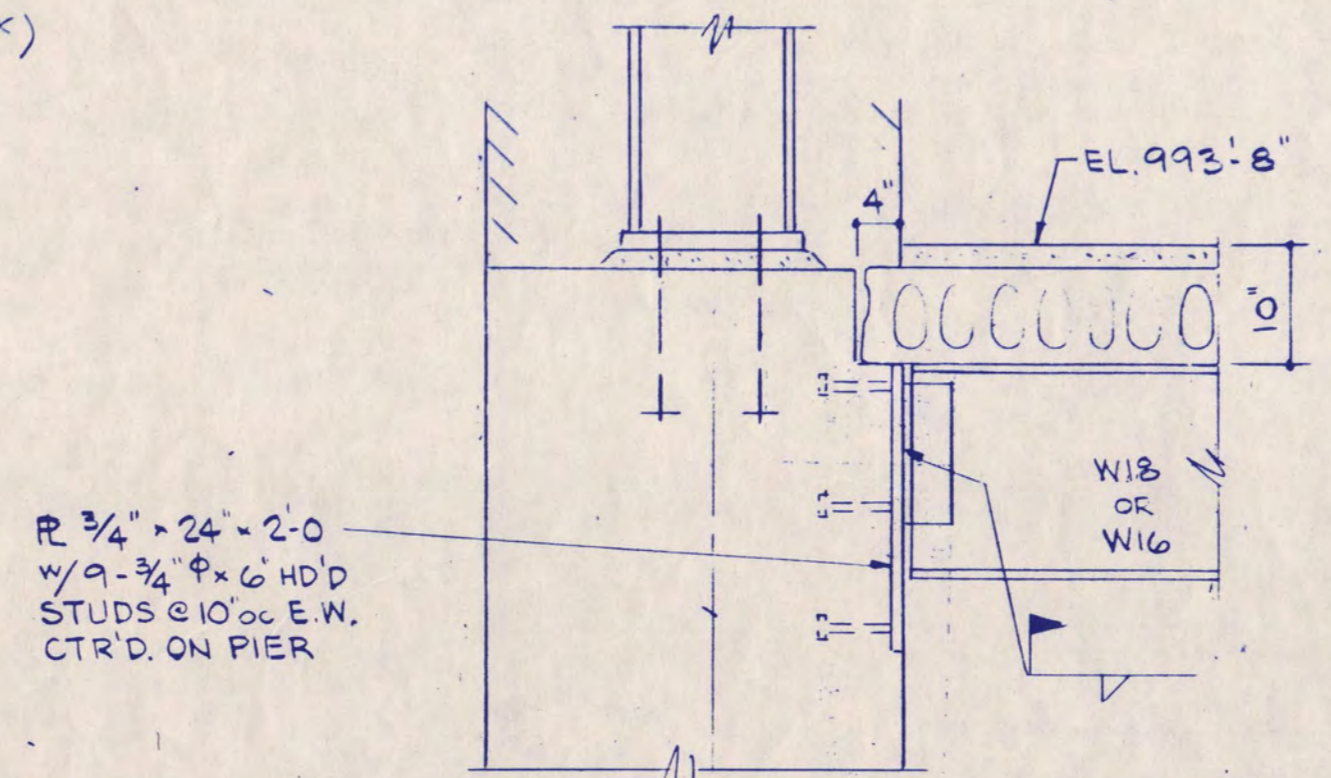
S6-1 ELEVATION 11
3/4" = 1'-0"



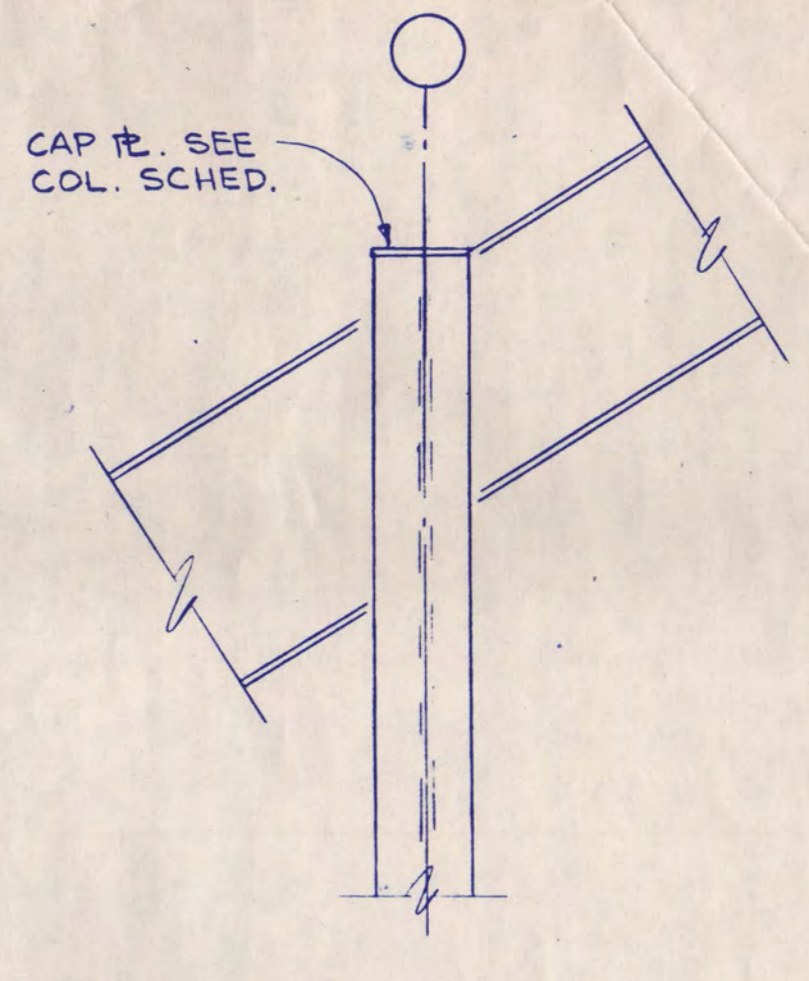
S6-1 SECTION 3
3/4" = 1'-0"



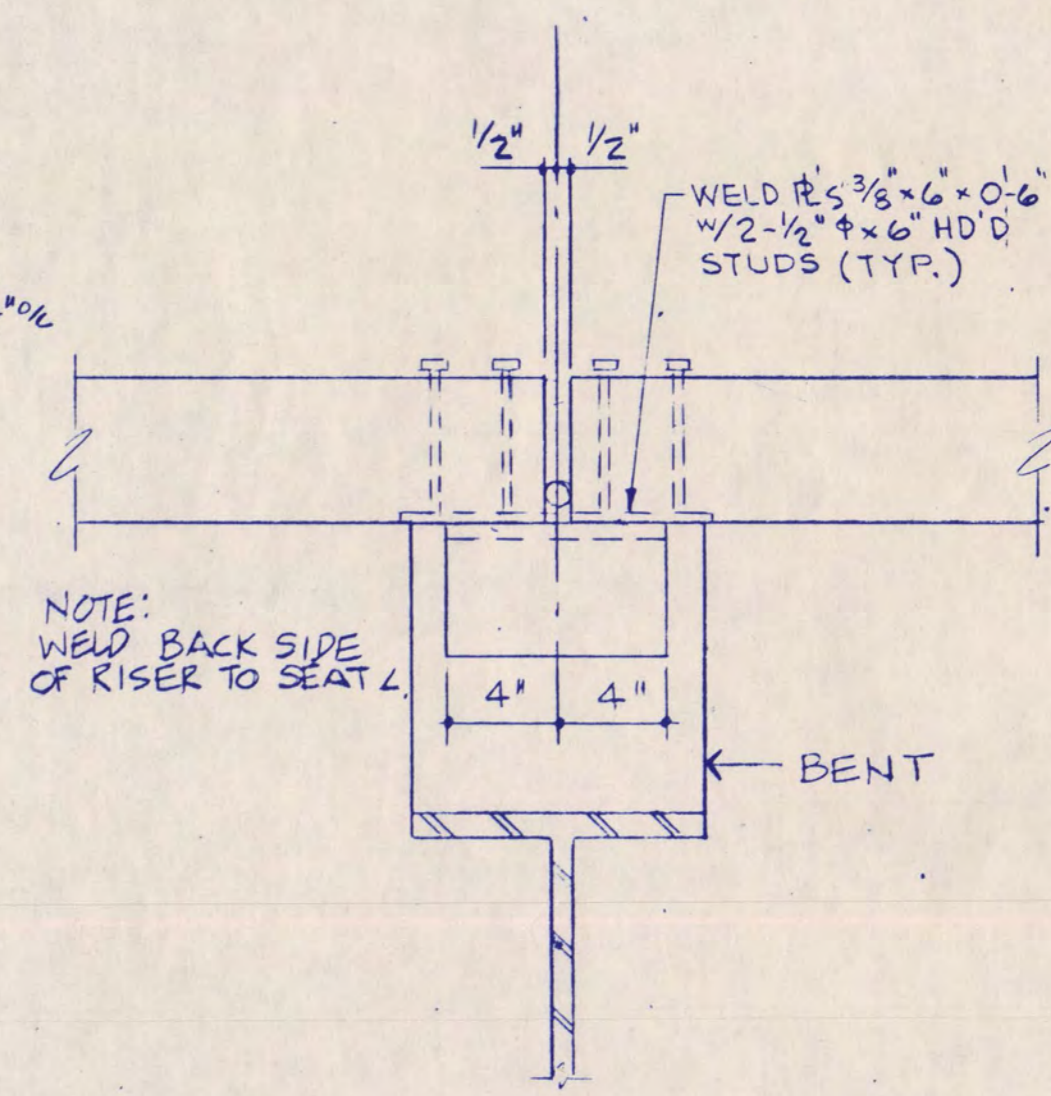
S6-1 SECTION 6
3/4" = 1'-0"



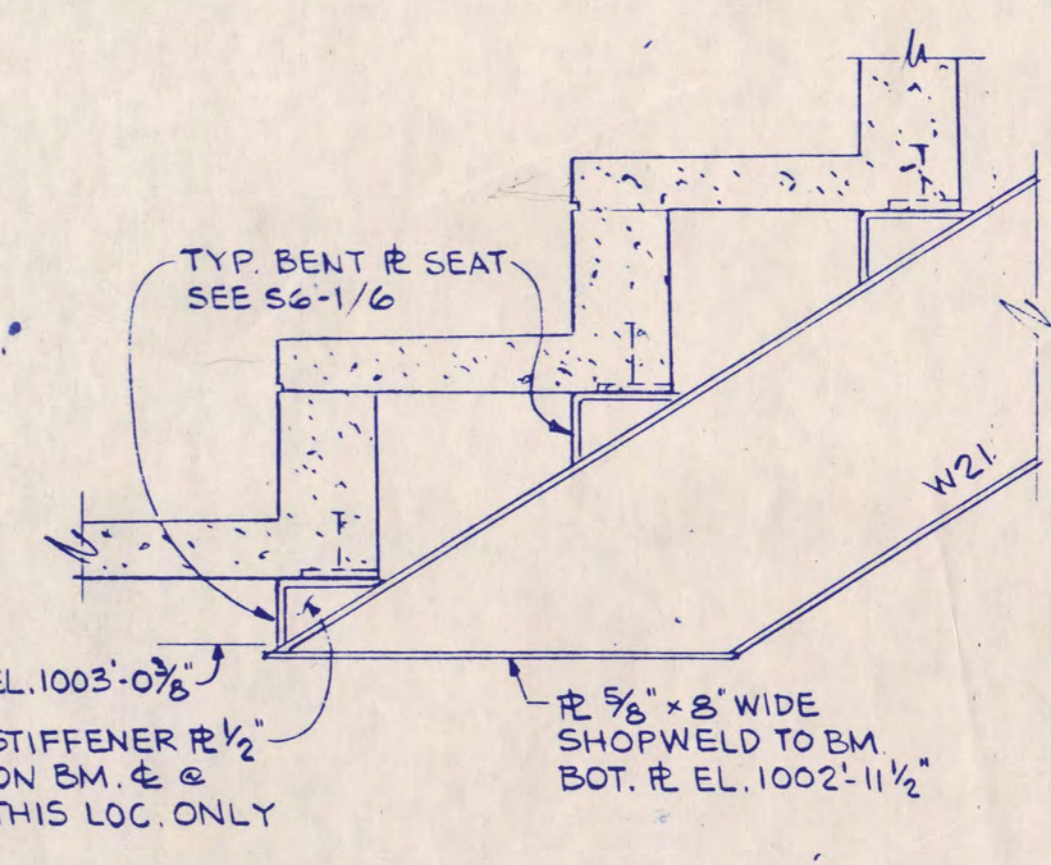
S6-1 DETAIL 12
3/4" = 1'-0"



S6-1 SECTION 4
3/4" = 1'-0"



S6-1 SECTION 7
1/2" = 1'-0"

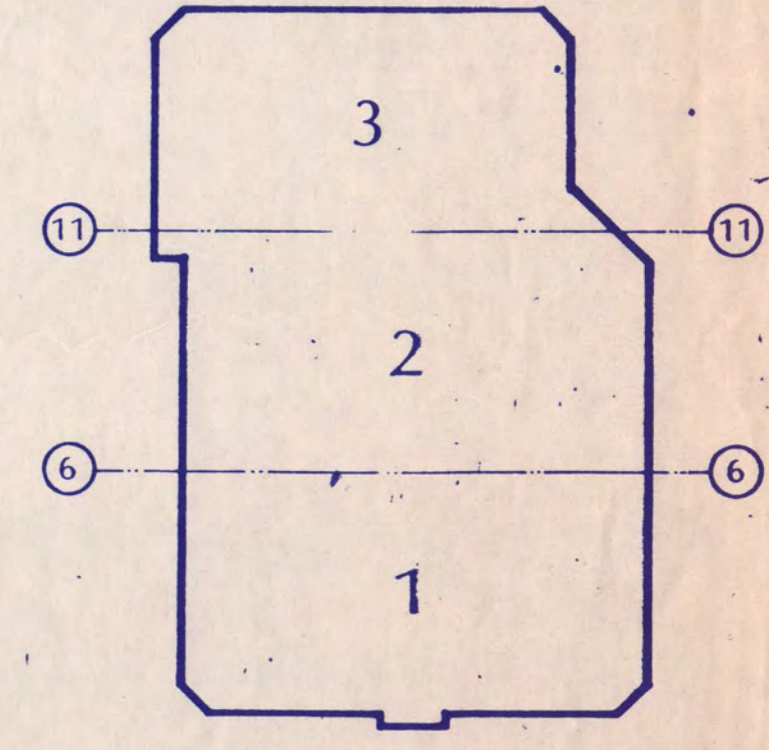


S6-1 DETAIL 13
3/4" = 1'-0"

SHEET NOTES
 1. FOR DESIGN OF PRECAST SEATING EL'S SEE GEN. STRUCT. NOTE NO. 6

I hereby certify that this plan, specification, or report was prepared by me or under my direct supervision and that I am a duly Registered Professional Engineer under the laws of the State of Minnesota.

Scott E. Sanderson
 Date 7/12/88 Reg. No. 10889



KEY PLAN
NATIONAL HOCKEY CENTER

ST. CLOUD STATE UNIVERSITY
 ST. CLOUD, MINNESOTA

Ellerbe

One Appletree Square
 Minneapolis, MN 55425
 (612) 853-2000
 ©Ellerbe, 1988

FRAMING SECTIONS & DETAILS

Scale AS NOTED
 Date SEP. 9, 1988 Conn. No. 8766-871
 In Charge SES
 Drawn By JTL
 Checked By SEE

S6-1

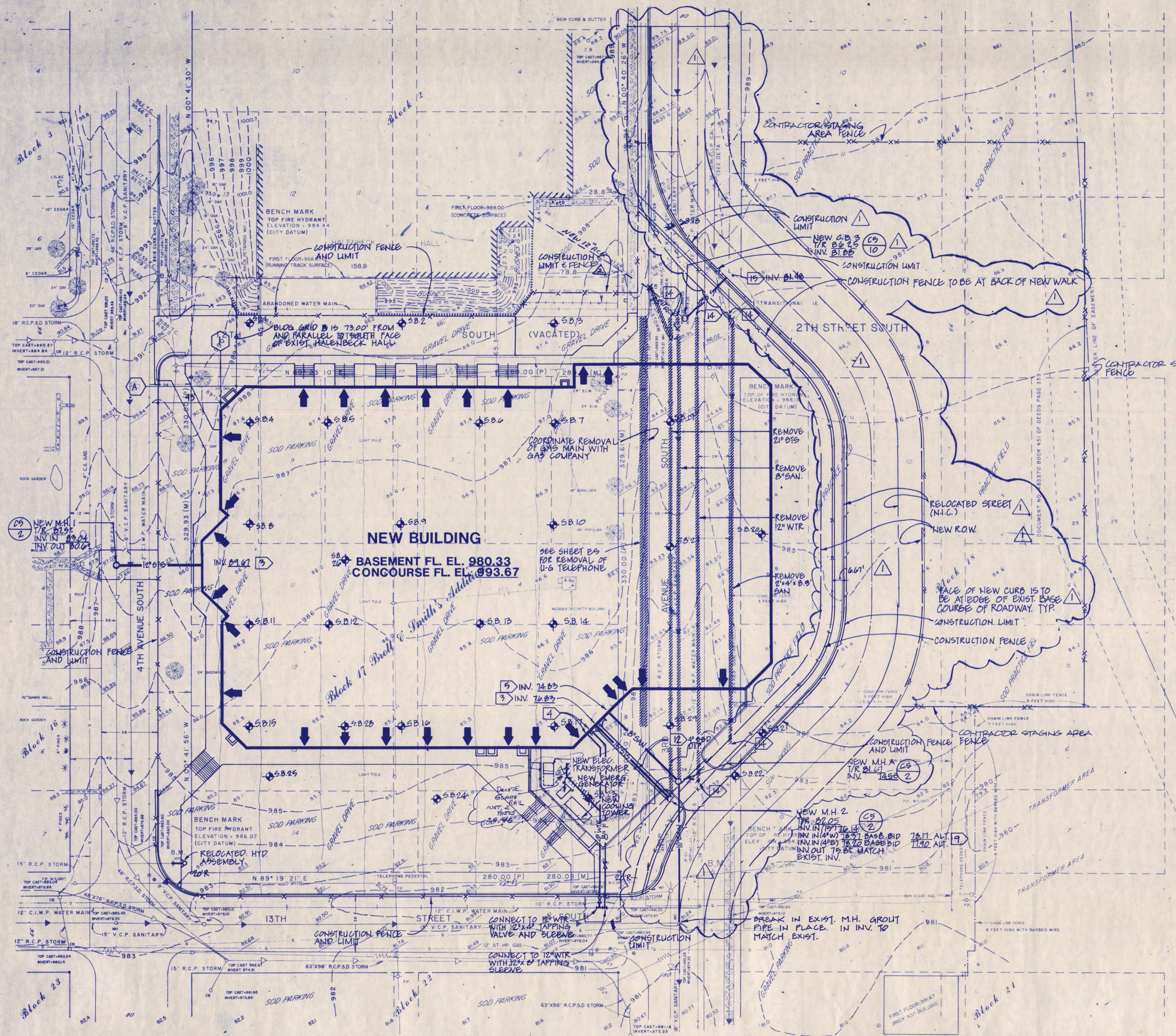
SITE SYMBOLS

EXISTING	NEW	DESCRIPTION
---	---	PROPERTY LINE
---	---	EASEMENT LINE
---	---	CONSTRUCTION LIMIT
---	---	CONTOUR
---	---	SPOT ELEVATION
---	---	BUILDING
---	---	UNDERGROUND STRUCTURE
---	---	RAILROAD
---	---	CULVERT & END SECTION
---	---	CONCRETE
---	---	BITUMINOUS PAVING
---	---	SLOPE DIRECTION
---	---	FENCE
---	---	GUARD RAIL
---	---	TREE-SAVE
---	---	SOIL BORING
---	---	DOORWAY
---	---	BENCHMARK LOCATION
---	---	HAY BALES
---	---	TEMPORARY SEDIMENT CONTROL
---	---	LIGHT STANDARD
---	---	POWER POLE
---	---	NOTE REFERENCE
---	---	PARKING STALL COUNT
---	---	REMOVE CB/MH
---	---	REMOVE UTILITY
---	---	REMOVE CURB AND GUTTER
---	---	CONSTRUCTION FENCE
---	---	CONTRACTOR STAGING AREA FENCE

- NOTES:
- FOR BENCH MARK INFORMATION, SEE NOTE 1 ON SHEET C2.
 - FOR WALK AND STAIR LAYOUT AND JOINING, SEE SHEET A3-2.
 - FOR CONTINUATION OF 15" STS AND 12" STS, SEE INSIDE BUILDING, SEE SHEET M2 AND M3.
 - FOR CONTINUATION OF 4" WTR AND 8" F INSIDE BUILDING, SEE SHEET M2. SEE DETAIL CS/5 FOR FLOOR PENETRATION DETAIL.
 - FOR CONTINUATION OF 8" SAN INSIDE BUILDING, SEE SHEET M2.
 - FOR ELECTRICAL SITE PLAN, SEE SHEET ES.
 - PROVIDE CLASS B BEDDING SYSTEM ON ALL NEW PIPES. SEE DETAIL CS/3.
 - PROVIDE 7.5" MIN. COVER ON ALL NEW WATERMANS.
 - PROVIDE FLAP VALVES ON THE 4" SSD (D.I.P.) ENTERING MANHOLE UNDER THE BASE BID AND ALTERNATE BID.
 - FOR DEMOLITION, SEE SHEET C2.
 - FOR CONSTRUCTION LIMITS AND FENCE LOCATION, SEE SHEET C2.
 - SEE SHEET C6 FOR PERIMETER SUBDRAIN DRAIN SYSTEM.
 - FOR SITE DEMOLITION, SEE SHEET C2.
 - REMOVE EXISTING UTILITIES IN THIRD AVENUE. COORDINATE REMOVAL LIMITS WITH APPROPRIATE AGENCY RELOCATING UTILITIES IN PROPOSED THIRD AVENUE. ALL EXISTING UTILITIES ARE TO REMAIN IN SERVICE UNTIL NEW UTILITIES ARE IN SERVICE.
 - NEW 12" STS FROM CONSTRUCTION LIMIT LINE OUT TO RELOCATED STORM SEWER IN THIRD AVENUE IS N.I.C.

EXISTING	NEW	DESCRIPTION
CS	CS	12" STS
CS	CS	8" SAN
CS	CS	6" IW
CS	CS	18" CS
CS	CS	8" FM
CS	CS	6" WTR
CS	CS	6" F WTR
CS	CS	4" G
CS	CS	1 1/2" O
CS	CS	2" FOS
CS	CS	1" FOR
CS	CS	1" FV
CS	CS	2" GASO
CS	CS	ELEC
CS	CS	ELEC U-G
CS	CS	TEL U-G
CS	CS	4" SSD
CS	CS	1" LS
CS	CS	8" STM
CS	CS	3" RET
CS	CS	8" CHWS
CS	CS	8" CHWR
CS	CS	4" CWS
CS	CS	4" CWR
CS	CS	12" STS
CS	CS	8" SAN
CS	CS	6" IW
CS	CS	18" CS
CS	CS	8" FM
CS	CS	6" WTR
CS	CS	6" F WTR
CS	CS	4" G
CS	CS	1 1/2" O
CS	CS	2" FOS
CS	CS	1" FOR
CS	CS	1" FV
CS	CS	2" GASO
CS	CS	ELEC
CS	CS	ELEC U-G
CS	CS	TEL U-G
CS	CS	4" SSD
CS	CS	1" LS
CS	CS	8" STM
CS	CS	3" RET
CS	CS	8" CHWS
CS	CS	8" CHWR
CS	CS	4" CWS
CS	CS	4" CWR

NOTE: ITEMS SHOWN ON THIS LEGEND MAY NOT APPLY TO THIS PROJECT.



C	0	0	0	0
B	0	0	0	0
A	0	0	0	0
M	0	0	0	0
E	0	0	0	0
S	0	0	0	0
I	0	0	0	0

I hereby certify that this plan, specification, or report was prepared by me or under my direct supervision and that I am a duly registered Professional Engineer under the laws of the State of Minnesota.

Date 7-15-88 Reg. No. 9772

NATIONAL HOCKEY CENTER

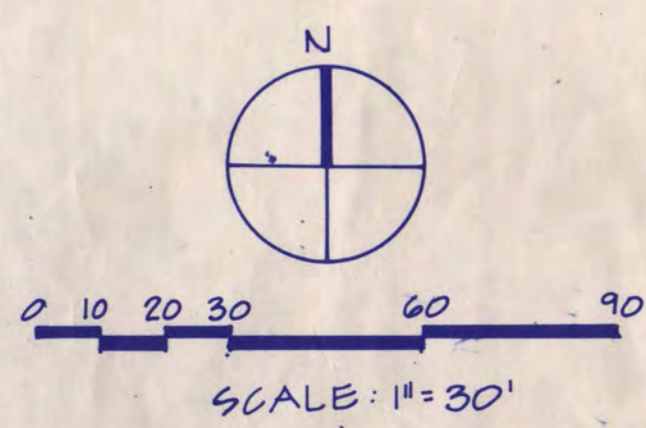


ST. CLOUD, MINNESOTA

Ellerbe

One Appletree Square
 Minneapolis, MN 55420
 (612) 853-2000
 Ellerbe 1988

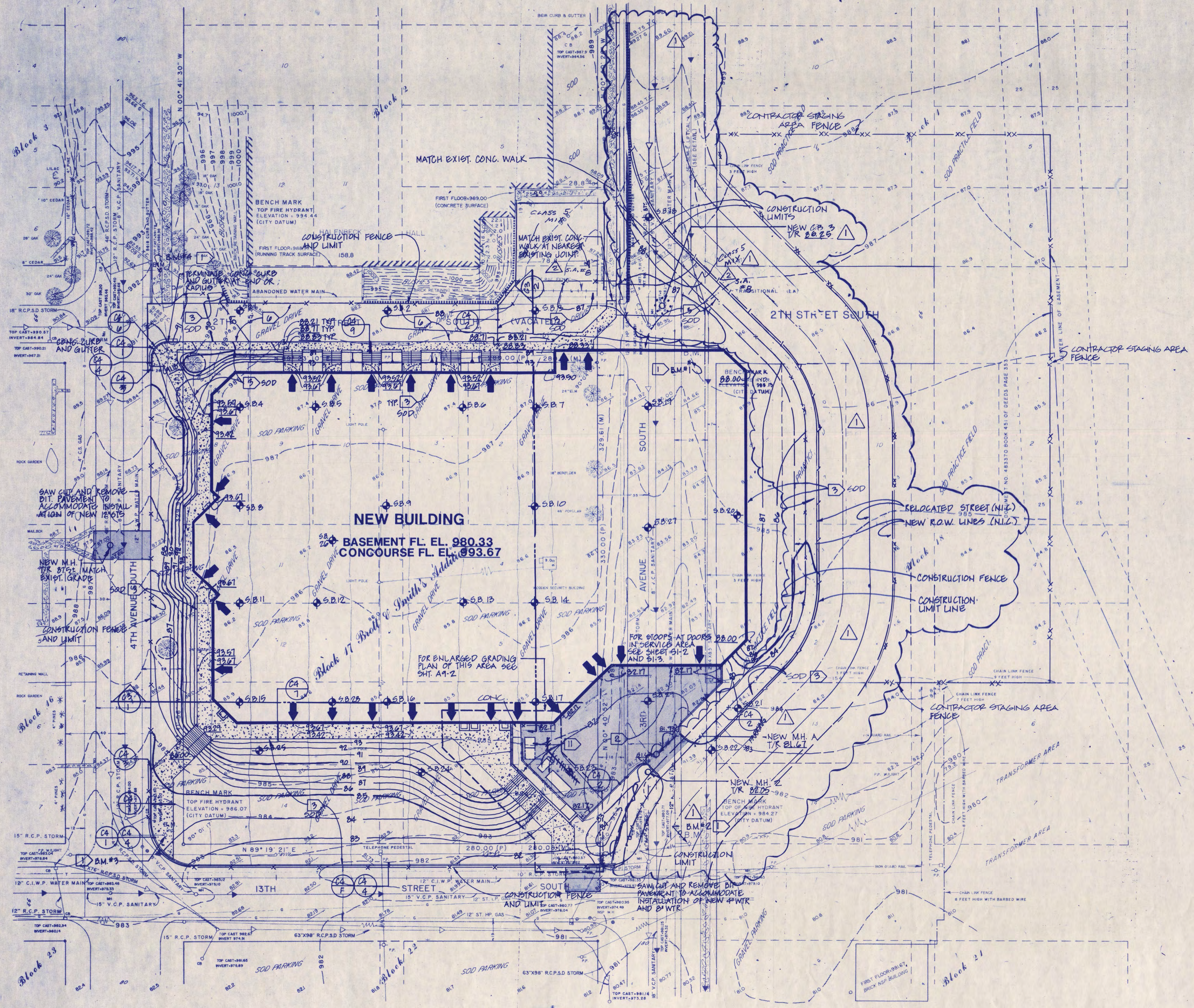
SITE LAYOUT AND UTILITY PLAN



Scale 1" = 30'

Date SEP 9, 1988 Comm. No. 8766-871
 In Charge R.T.B.
 Drawn By L.T.J.
 Checked By J.R.M.

Revision	Date	No.
C.D. REVIEW 1990B	7.12.88	
ISSUED FOR BIDDING	9.9.88	
BULL. NO. 1	1.28.89	
AS BUILT	10.31.90	



- NOTES:
- BENCH MARK**
 - B.M. #1 TOP OF FIRE HYDRANT ELEVATION 988.13
 - B.M. #2 TOP OF FIRE HYDRANT ELEVATION 984.27
 - B.M. #3 TOP OF FIRE HYDRANT ELEVATION 986.07
 - B.M. #4 TOP OF FIRE HYDRANT ELEVATION 994.44

ALL BENCH MARK ELEVATIONS ARE ON CITY OF ST. CLOUD DATUM
 - NEW BIT. PAVEMENT SECTIONS**
 - 1-1/2" MIN. BIT. SURFACE COURSE
 - 1-1/2" MIN. BIT. BINDER COURSE
 - 8" MIN. AGG. BASE
 - COMPACTED SUBGRADE
 - PROVIDE TOPSOIL AS SPECIFIED ON ALL NEW AND DISTURBED PLANTING AREAS. PROVIDE SOD AS SHOWN ON PLANS.**
 - FOR STRUCTURAL STOOPS AT DOORS. SEE SHEET A9-2.**
 - FOR ALL EXTERIOR STAIRS, SEE SHEET A9-2.**
 - NEW BIT. PAVEMENT**
 - 1-1/2" MIN. BIT. SURFACE COURSE
 - 1-1/2" MIN. BIT. BINDER COURSE
 - 8" MIN. AGG. BASE
 - COMPACTED SUBGRADE
 - GATE LOCATIONS ON CONSTRUCTION FENCE TO BE NEGOTIATED BETWEEN OWNER AND CONTRACTOR.**
 - REMOVE ALL TREES WITHIN CONSTRUCTION LIMIT UNLESS INDICATED OTHERWISE.**
 - PROTECT ALL UTILITIES WITHIN CONSTRUCTION FENCE AND LIMIT AREA UNLESS NOTED OTHERWISE. SEE SHEET C1 FOR REMOVAL.**
 - FOR DEMOLITION OF SITE ELECTRICAL FEATURES, SEE SHEET ES.**
 - FOR NEW RETAINING WALLS, RAMP, COOLING TOWERS AND ELEC. TRANS. AREA, SEE SHEET A9-2.**
 - SEE SHEET C1 FOR SITE SYMBOLS LEGEND.**
 - REMOVE ALL EXISTING ON GRADE SITE FEATURES AND MATERIALS WITHIN CONSTRUCTION LIMIT UNLESS NOTED OTHERWISE.**

C	0	0	0
C	0	0	1
C	0	0	1
C	0	0	1

A			
A			
A			
A			

M			
M			
M			
M			

E			
E			
E			
E			

S			
S			
S			
S			

I			
I			
I			
I			

I hereby certify that this plan, specification, or report was prepared by me or under my direct supervision and that I am a duly Registered Professional Engineer under the laws of the State of Minnesota.

Date 7.15.88 Reg. No. 9702

NATIONAL HOCKEY CENTER

ST. CLOUD STATE UNIVERSITY

ST. CLOUD, MINNESOTA

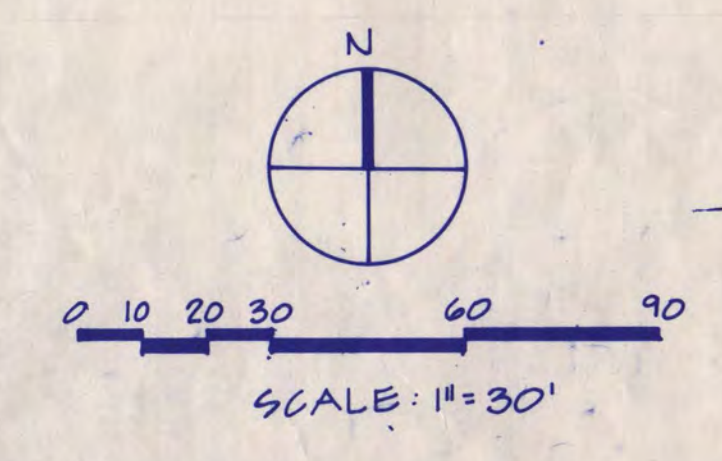
Ellerbe

One Appletree Square
 Minneapolis, MN 55420
 (612) 653-2000
 © Ellerbe 1988

GRADING PLAN

Scale 1" = 30'

Date SEP. 9, 1988 Comm. No. 8766-BT1
 In Charge R.T.B.
 Drawn By L.T.J.
 Checked By J.R.M.

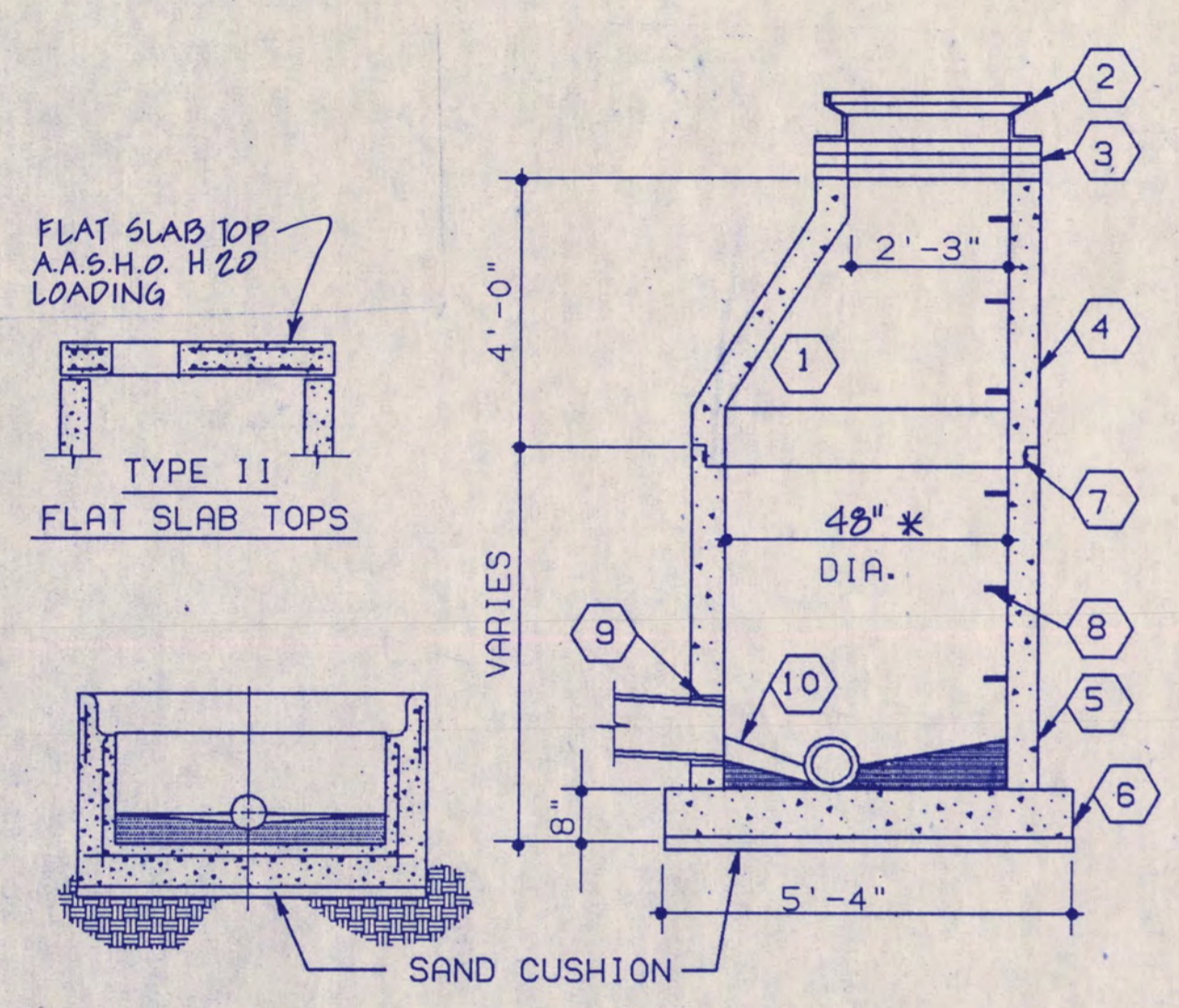


C2

MANHOLE AND CATCH BASIN NOTES

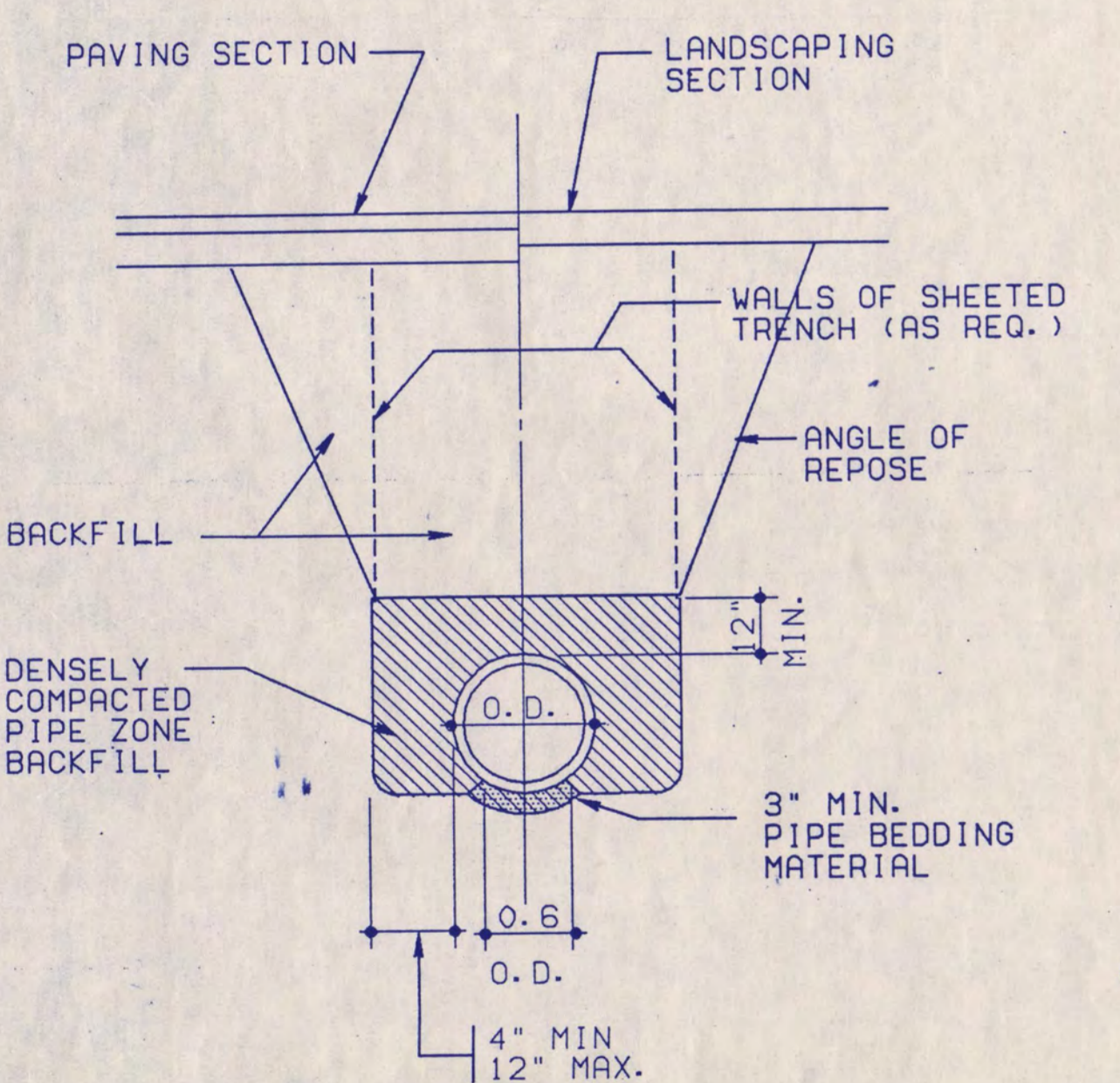
- REFER TO SPECIFICATIONS FOR ALL MATERIALS AND ADDITIONAL STRUCTURE REQUIREMENTS.
- FOR STRUCTURE LOCATION, ELEVATION AND DETAIL REF. SEE SHT. G1.
- DO NOT USE MORE THAN 3-2" THICK CONCRETE ADJUSTING RINGS. SET ALL RINGS AND CASTINGS IN MORTAR SEAT.
- USE 27" OPENING ECCENTRIC CONE SECTION UNLESS OTHERWISE NOTED.
- BOTTOM BARREL SECTION MAY BE CONSTRUCTED WITH PRECAST BASIN SECTION OR CONCRETE MANHOLE BLOCKS. ON SHALLOW STRUCTURES, BLOCK MAY BE USED FOR COMPLETE BARREL SECTION.
- MANHOLE BASES MAY BE REINFORCED, POURED IN PLACE. SEPARATE PRECAST ITEM OR INTEGRALLY CAST BASE SECTIONS.
- USE RUBBER GASKETS CONFORMING TO ASTM C381 OR BUTYL-TITE SEALING STRIPS BY BLUE RIDGE RUBBER OR APPROVED EQUAL FOR ALL JOINTS BETWEEN CIRCULAR PRECAST STRUCTURE SECTIONS.
- PROVIDE ALUMINUM STEPS @ 10" O.C. STEPS TO COMPLY WITH OSHA 1910.27 AND HAVE EMBEDDED ENDS COATED WITH BITUMASTIC MATERIAL PRIOR TO CASTING SECTION.
- FILL ALL SPACE BETWEEN PIPES AND MANHOLE AND/OR CATCH BASINS WITH NON-SHRINKING GROUT. LARGE SPACES MAY BE PARTIALLY FILLED WITH BRICKS PRIOR TO GROUTING.
- GROUT SEMI-CIRCULAR SMOOTH INVERT SECTION IN ALL MANHOLES AND CATCH BASINS. SLOPE BENCH AT MINIMUM OF 1" PER FOOT FOR ST.S. MANHOLES AND 3" PER FOOT FOR GRN. MANHOLES.
- CASTING SCHEDULE:
 M.H.#1 R-1799 NON-VENTED LID
 M.H.#2 R-1799 NON-VENTED LID
 C.B.#3 R-2960-E1
 M.H.A R-1799 NON-VENTED LID

09 1 MANHOLE AND CATCH BASIN NOTES
 CUD002

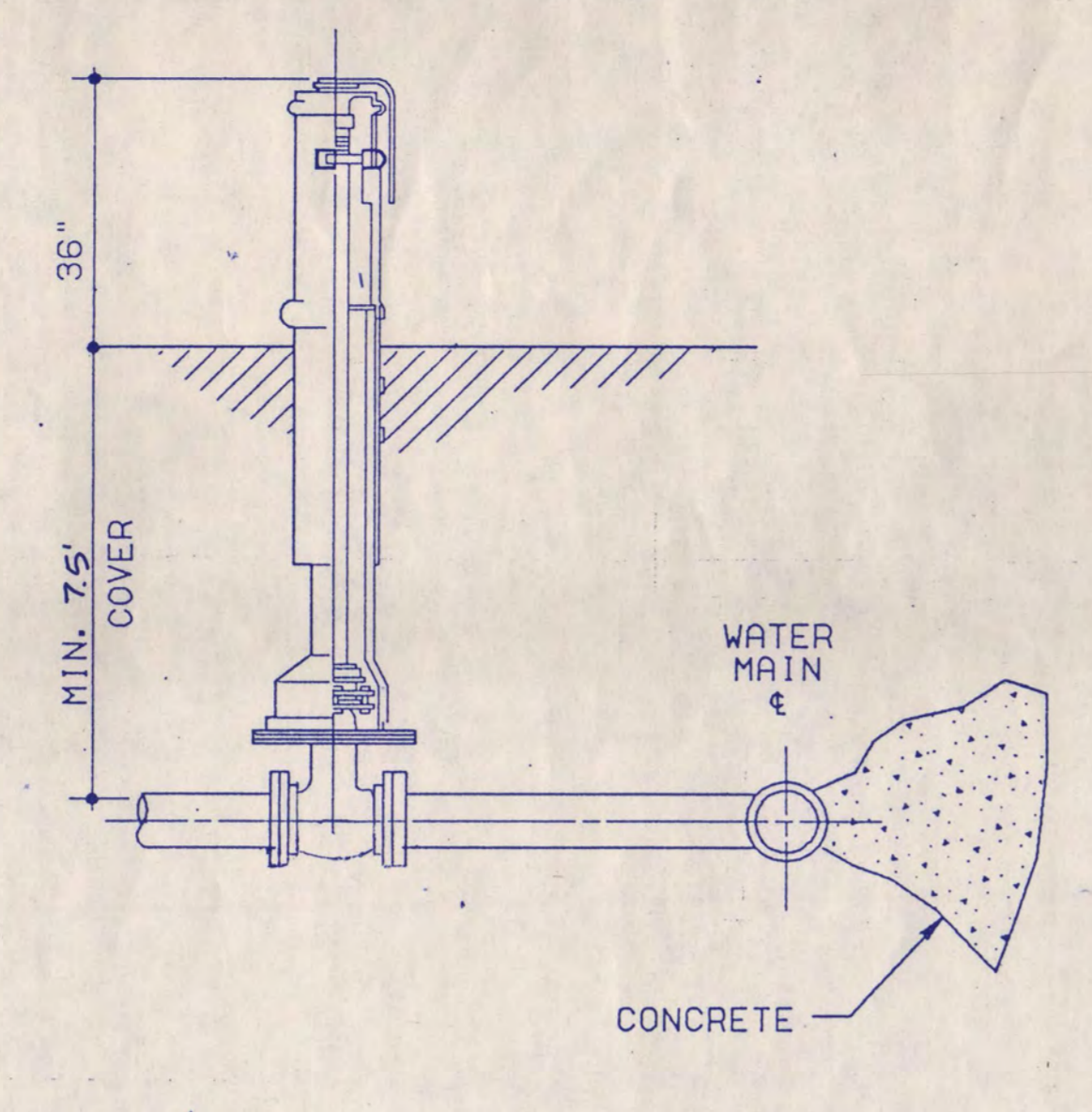


MONOLITHIC BASE UNIT SEE STANDARD DETAIL 09/1 FOR APPLICABLE NOTES.
 * M.H.1 IS TO BE 12" DIA BARREL WITH FLAT SLAB TOP.

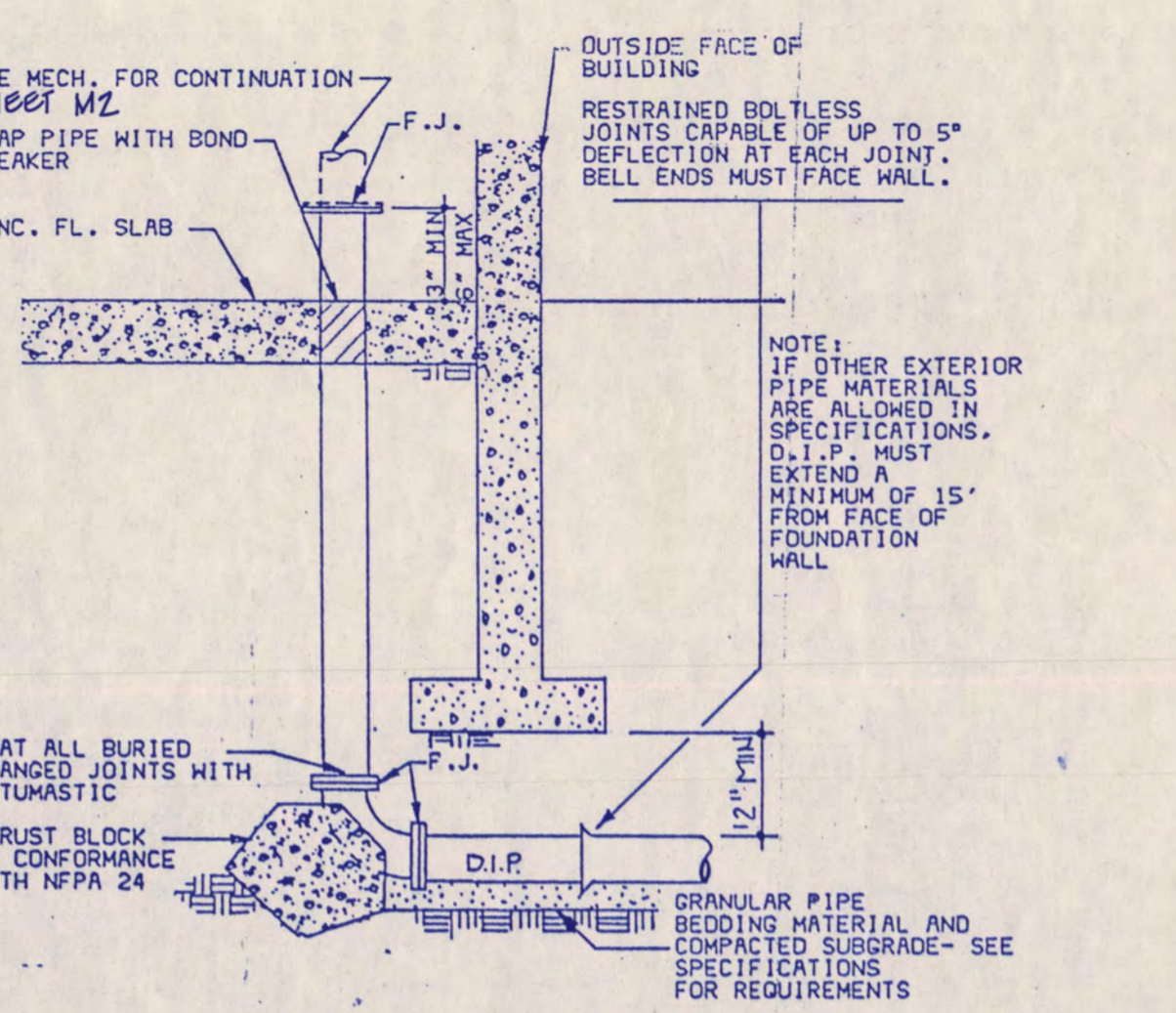
09 2 MANHOLE OR CATCH BASIN
 CUD003



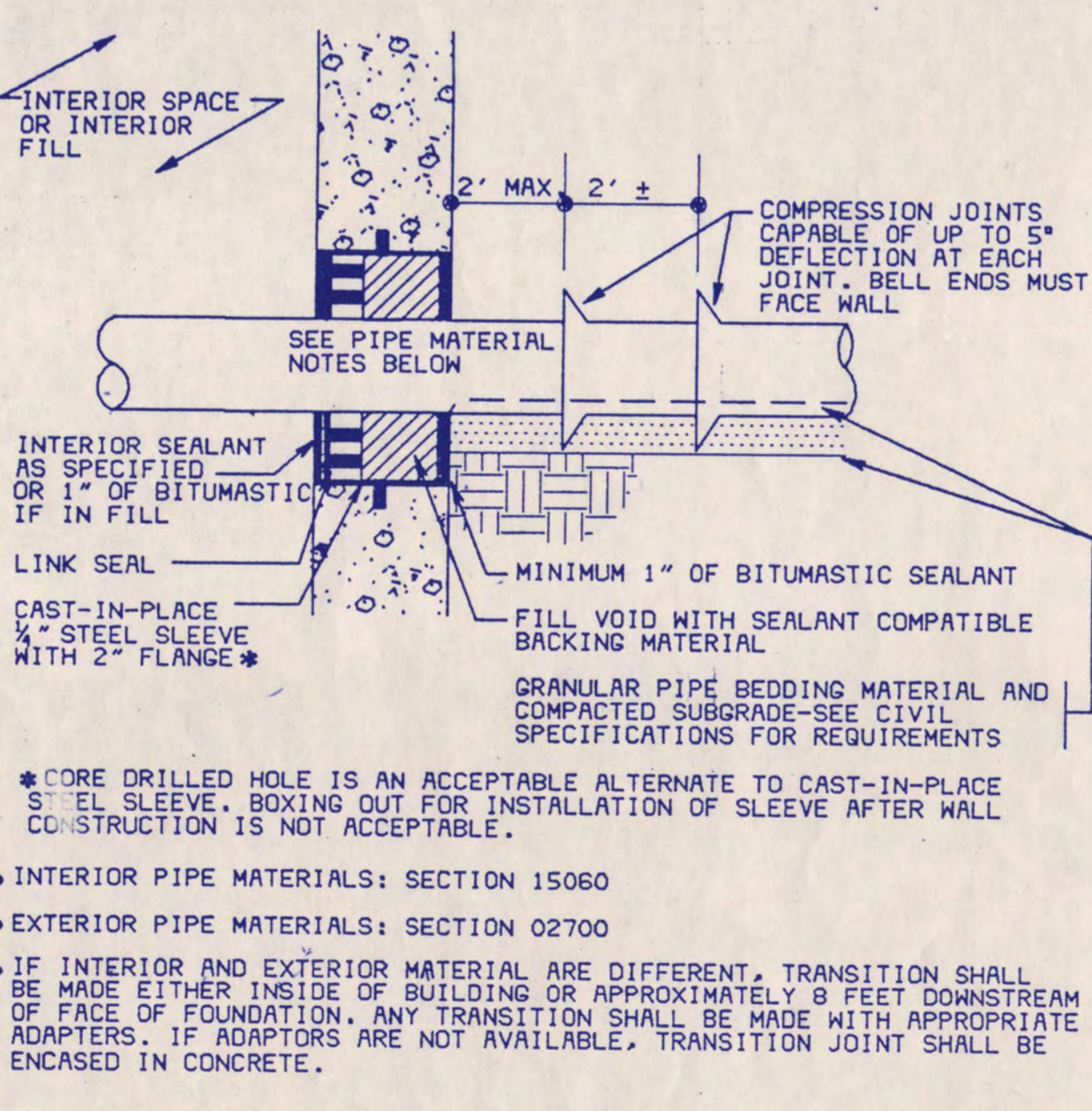
09 3 GRANULAR (CLASS 'B') PIPE BEDDING
 CUD018



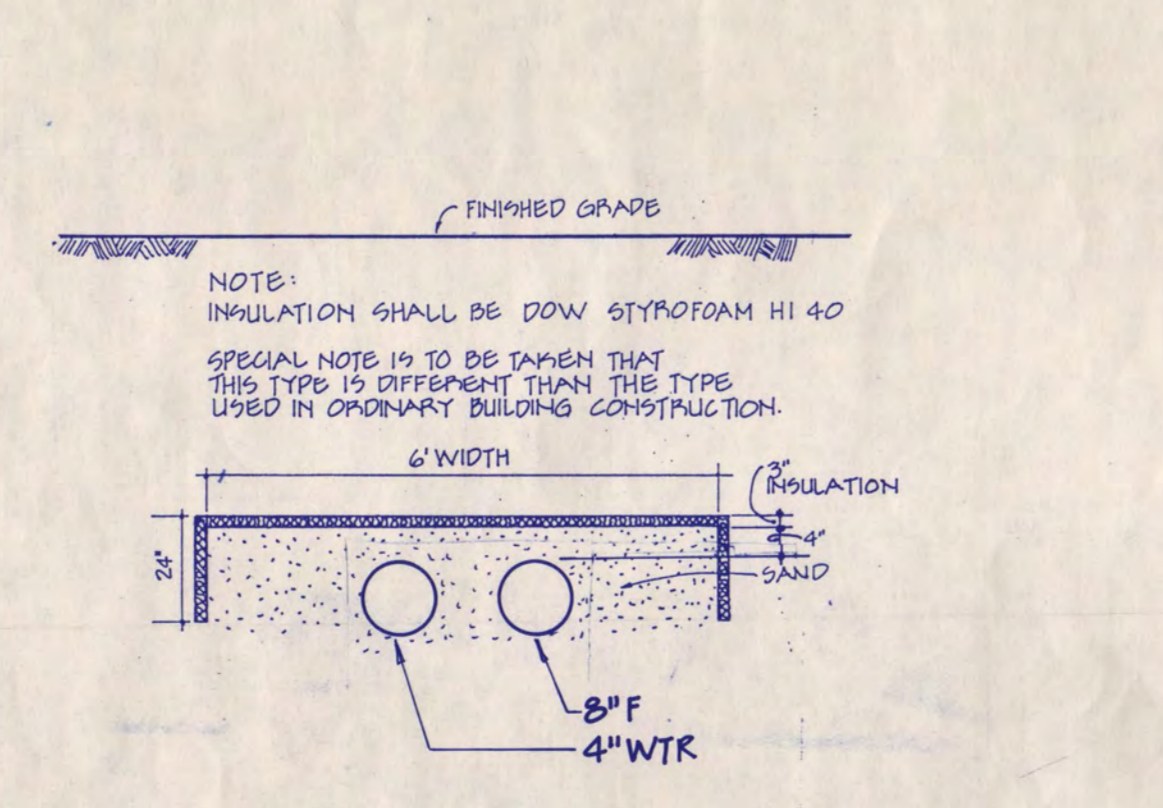
09 4 TYPICAL POST INDICATOR VALVE SETTING
 CUD004



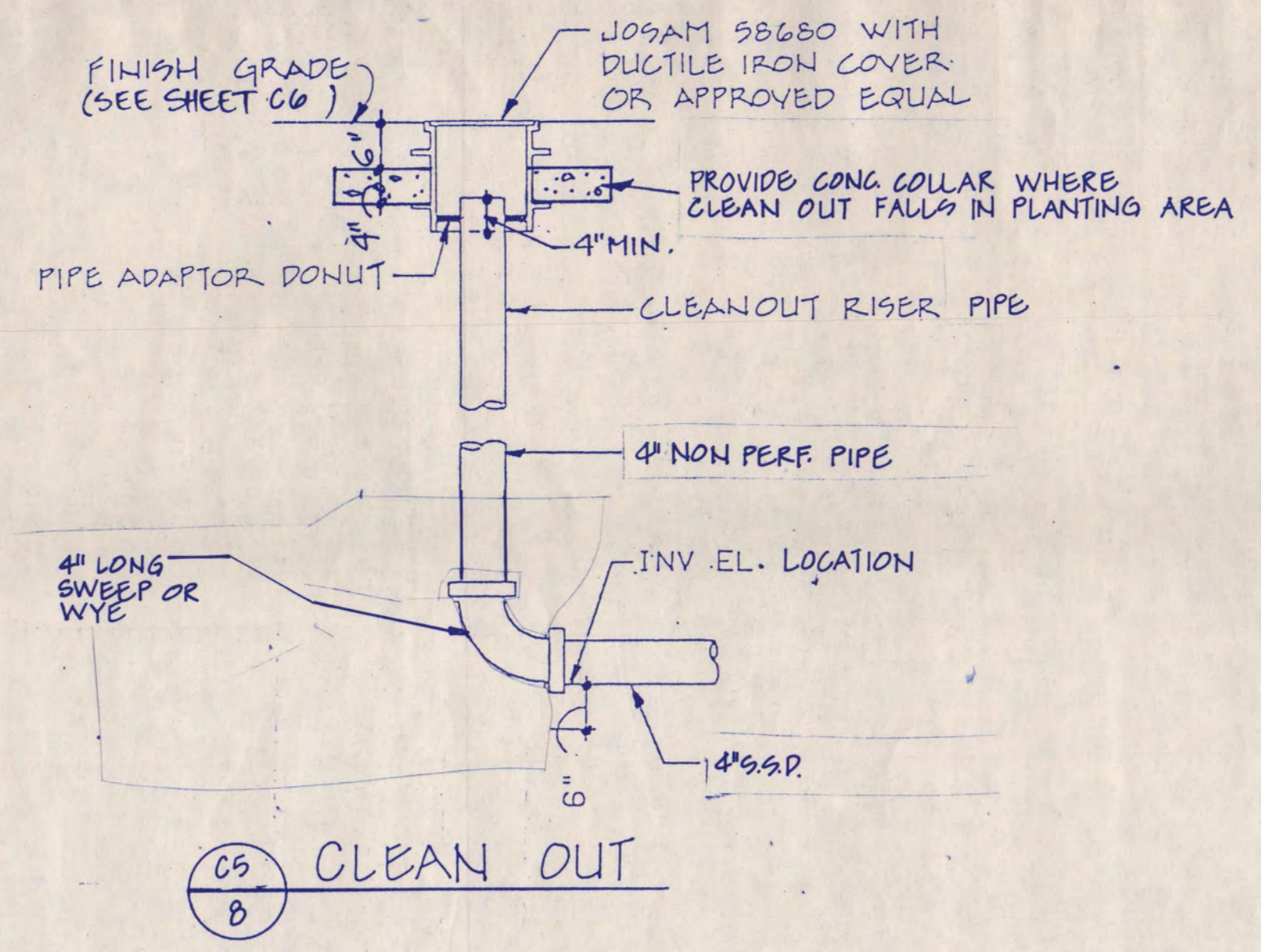
09 5 PRESSURE PIPE EXTERIOR WALL PENETRATION DETAIL
 CUD005



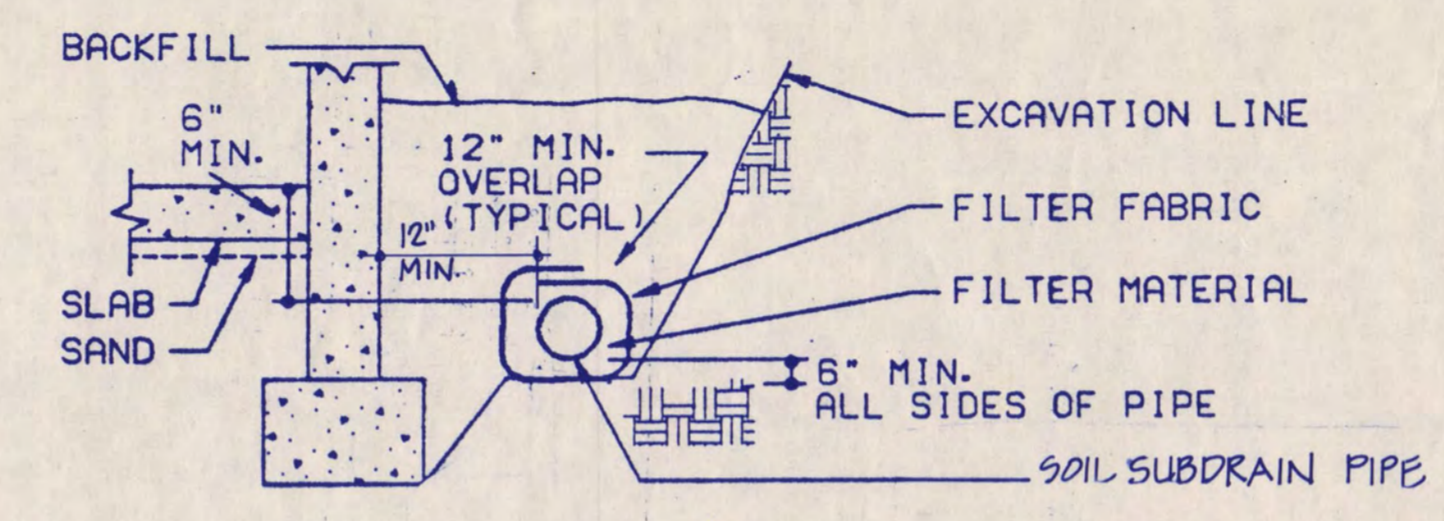
09 6 NON-PRESSURE PIPE-EXTERIOR WALL PENETRATION DETAIL
 CUD037



09 7 PIPE INSULATION
 CUD007



09 8 CLEAN OUT
 CUD008

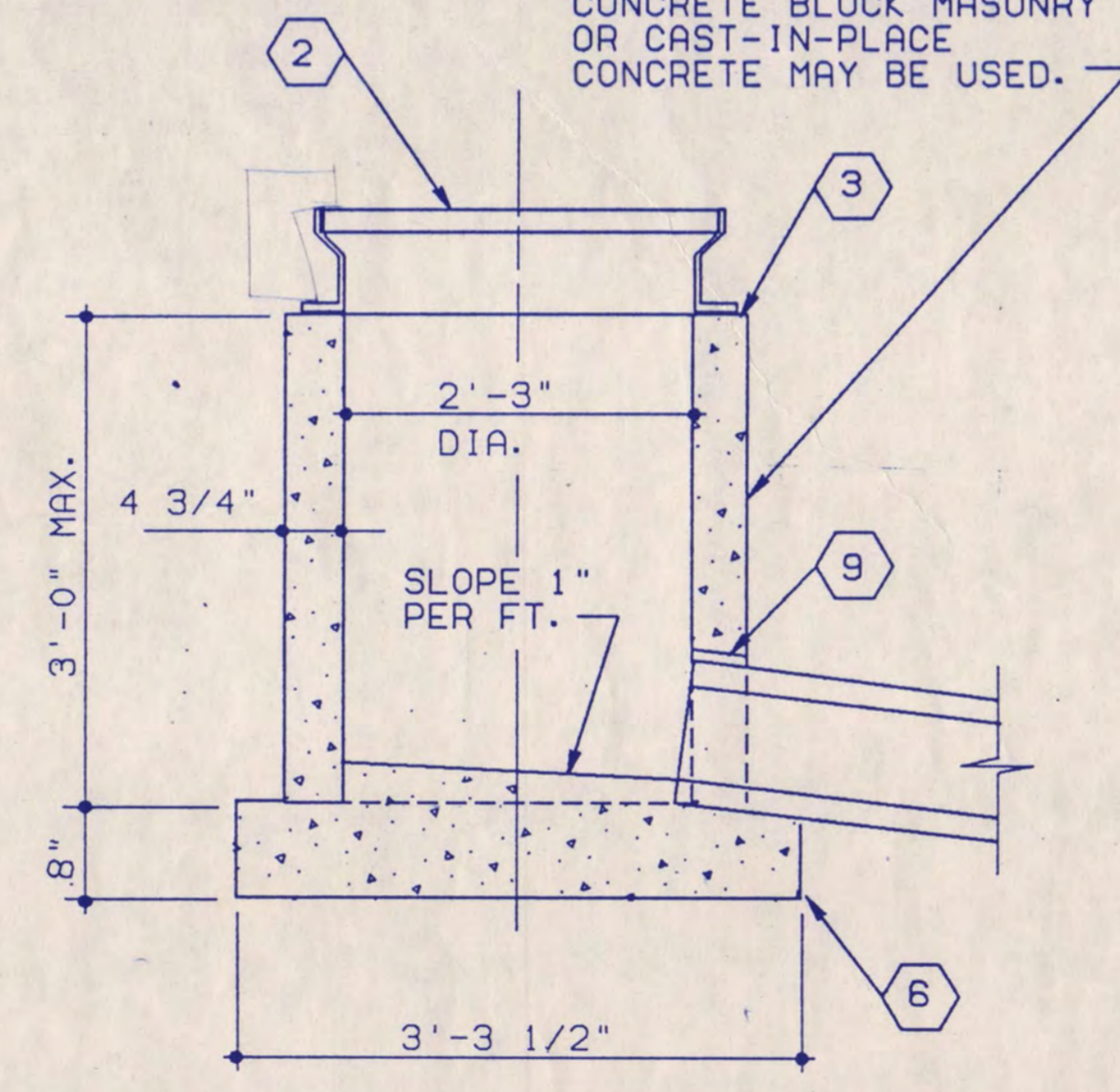


09 9 SECTION THRU EXTERIOR WALL
 CUD009

- SEE SHT. G6 FOR INVERT ELEVATIONS.
- SEE SPECIFICATION FOR FILTER FABRIC, FILTER MATERIAL AND SUBDRAIN PIPING MATERIAL.

09 9 SOIL SUBDRAIN DETAILS
 CUD009

SEE STANDARD DETAIL 09/1 FOR APPLICABLE NOTES.



09 10 SHALLOW CATCH BASIN
 CUD005

I hereby certify that this plan, specification, or report was prepared by me or under my direct supervision and that I am a duly Registered Professional Engineer under the laws of the State of Minnesota.

Date: 7.15.88 Reg. No. 9722

NATIONAL HOCKEY CENTER

ST. CLOUD STATE UNIVERSITY

ST. CLOUD, MINNESOTA

Ellerbe

One Appletree Square
 Minneapolis, MN 55425
 (612) 853-2000

©Ellerbe 1988

UTILITY DETAILS

Scale AS NOTED

Date SEP 1, 1988 Comm. No. 8766-871
 In Charge R.T.B.
 Drawn By J.T.J.
 Checked By J.R.M.

C5

