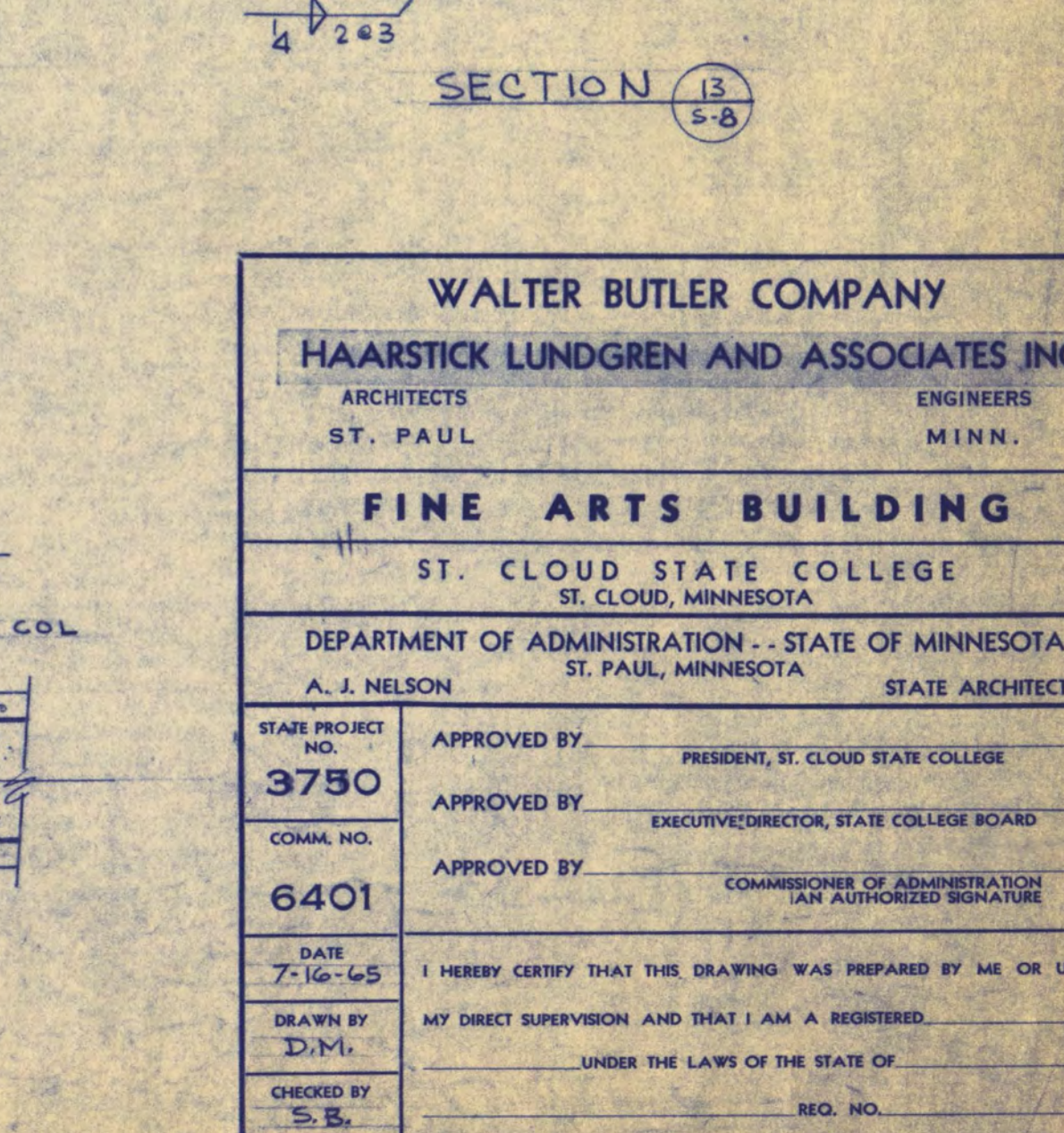
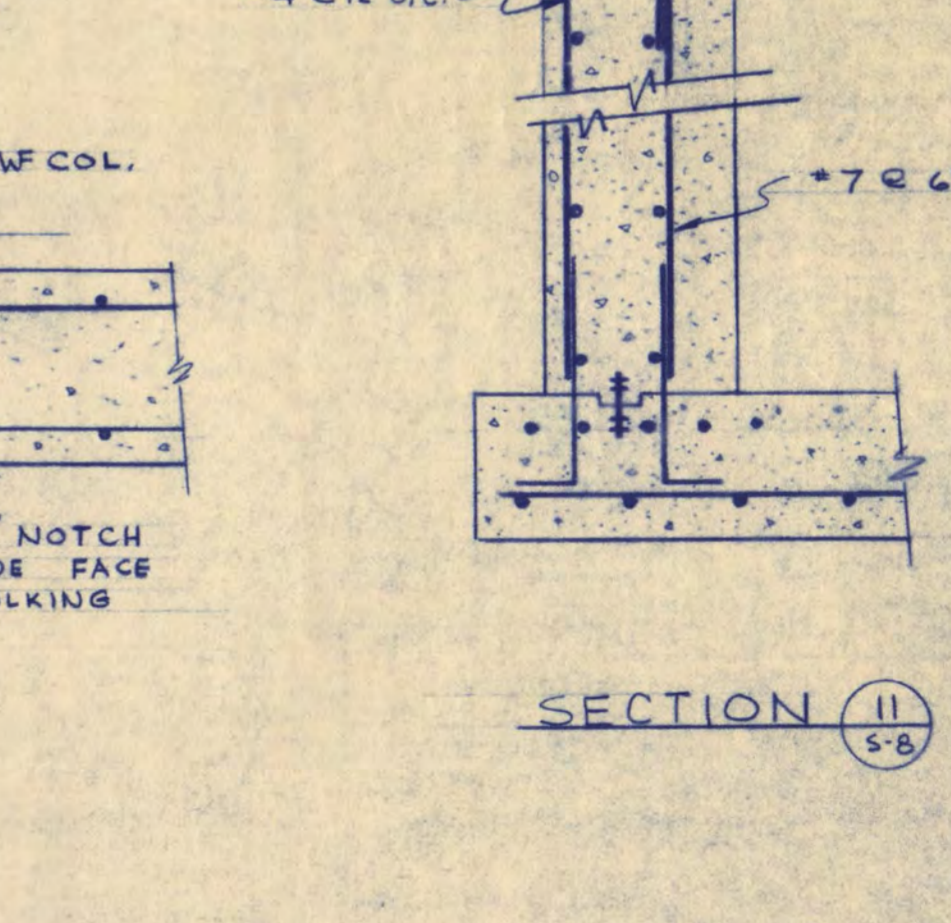
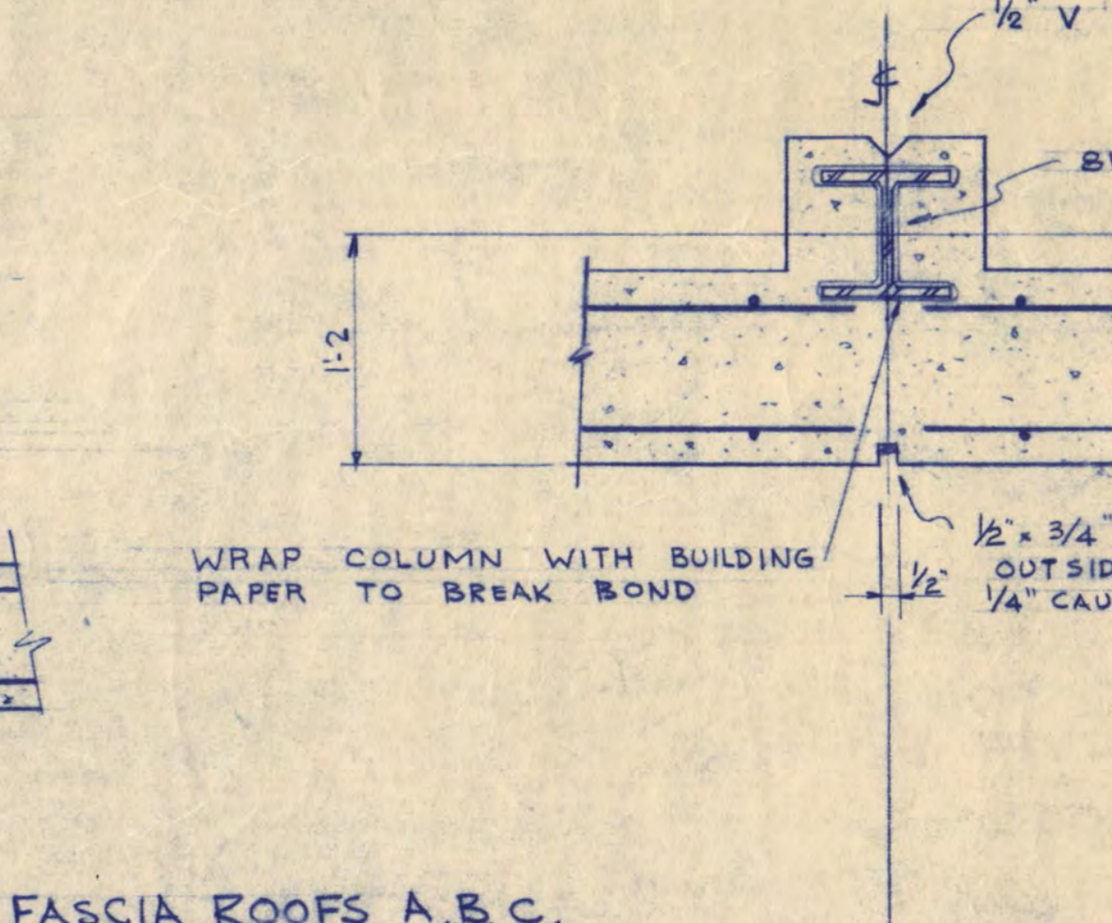
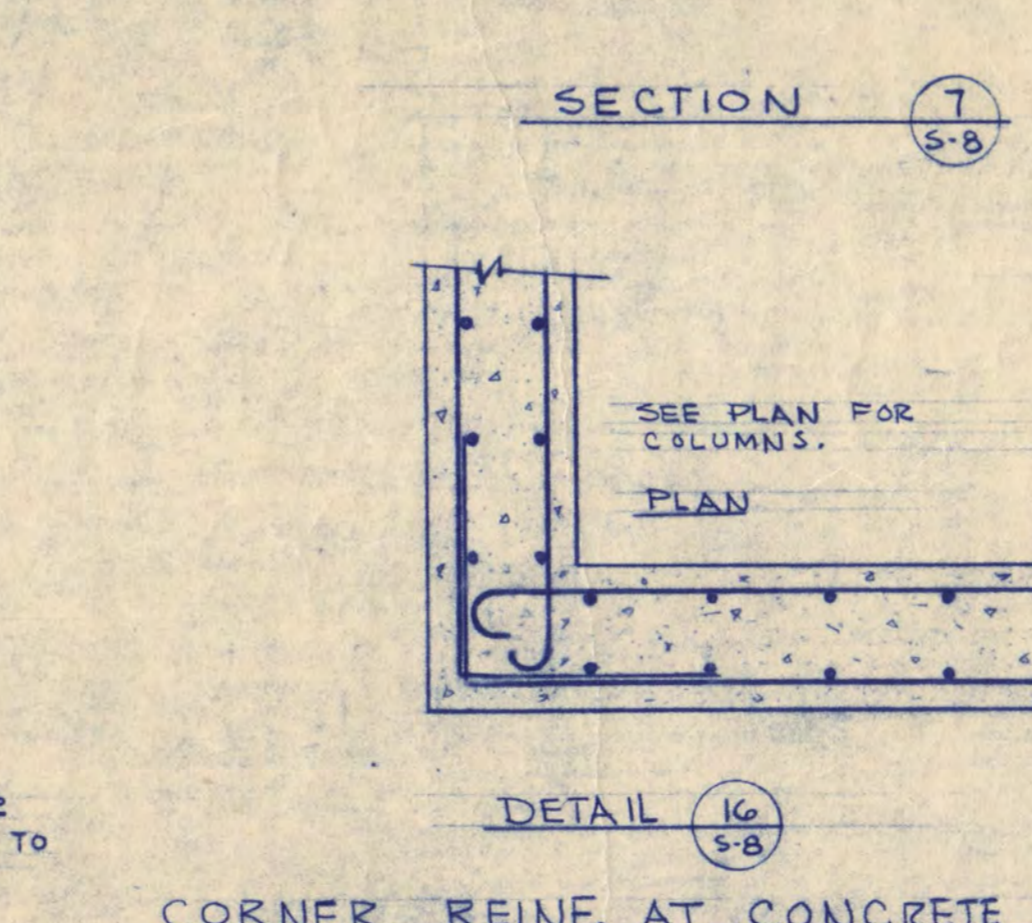
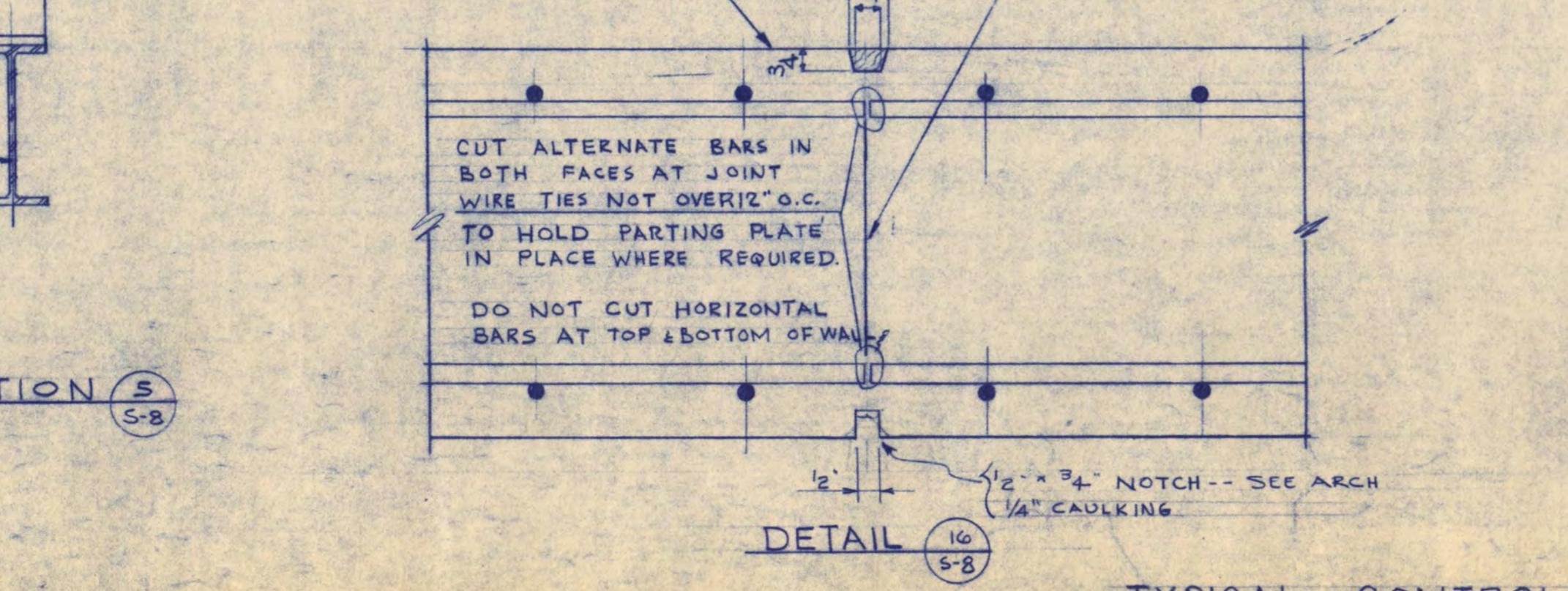
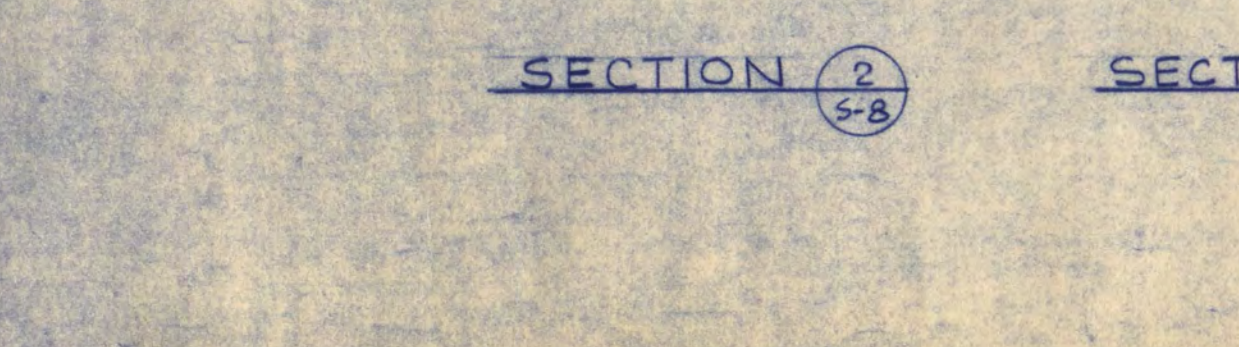
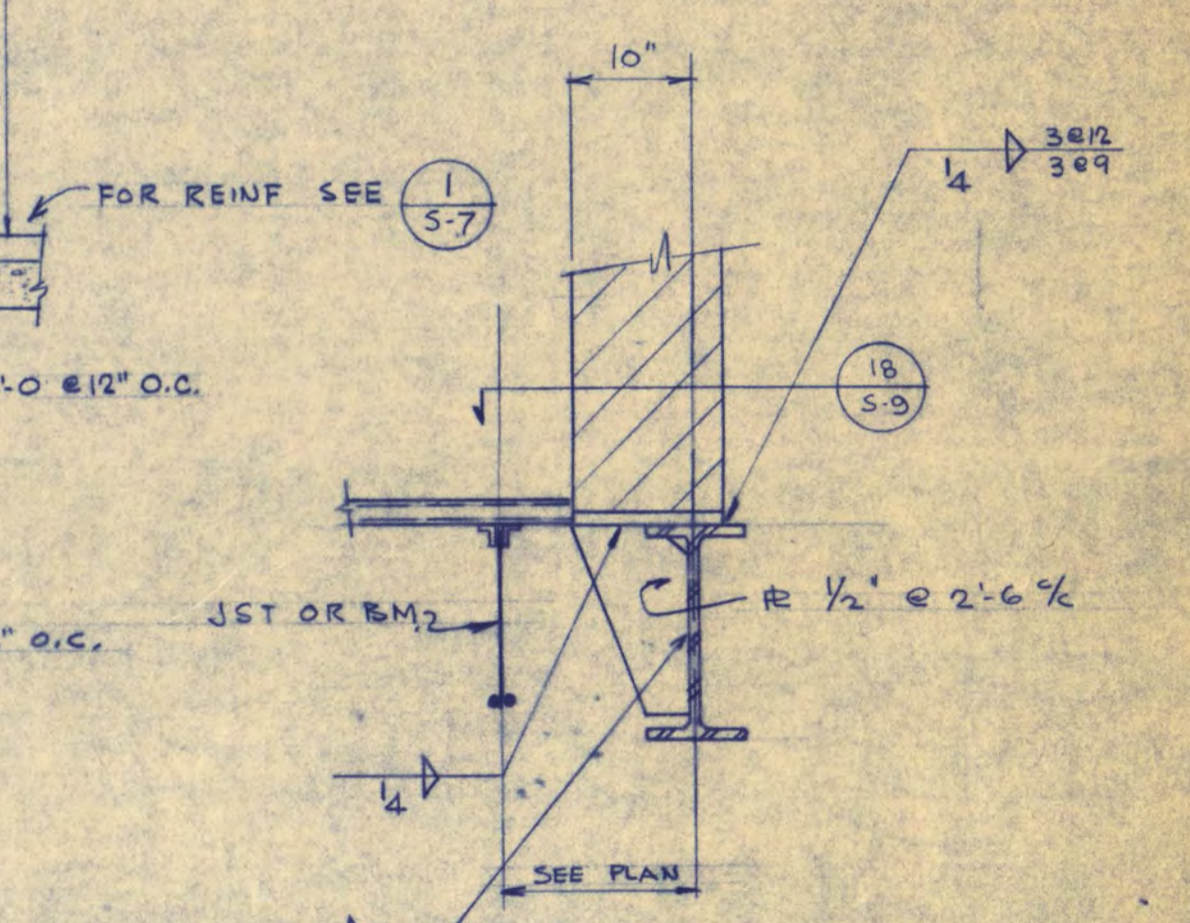
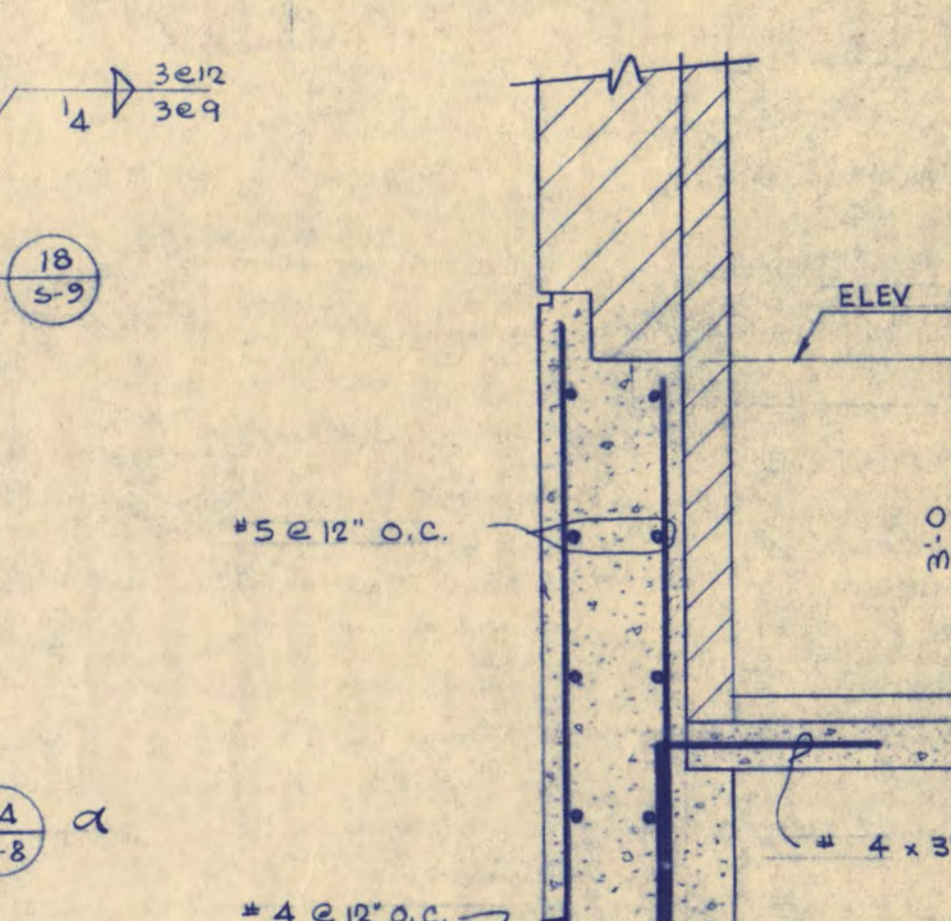
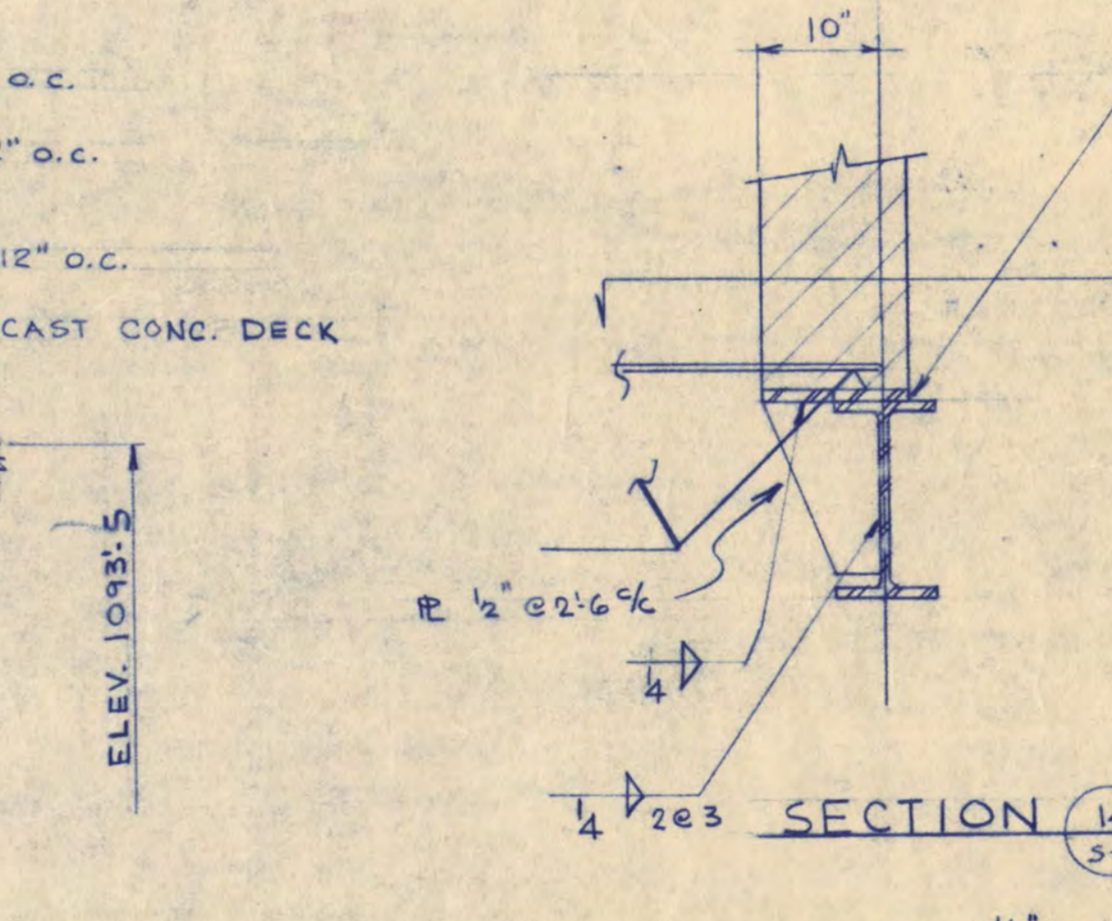
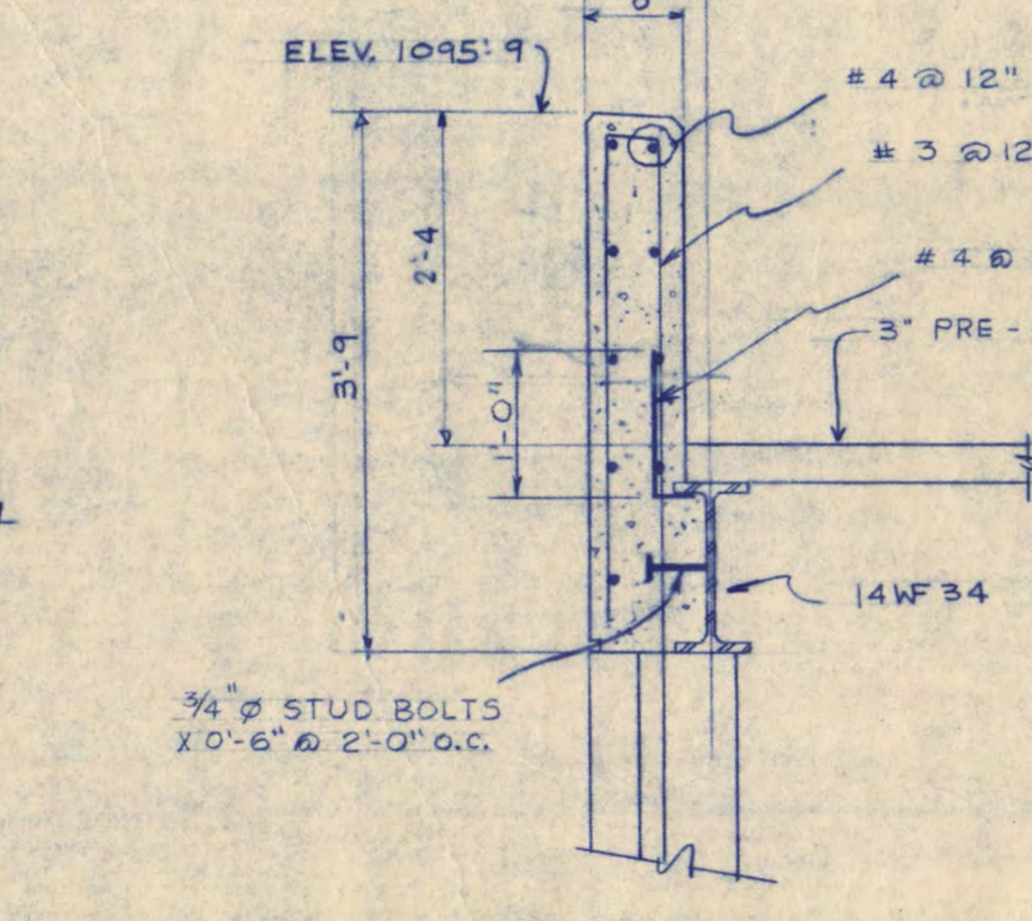
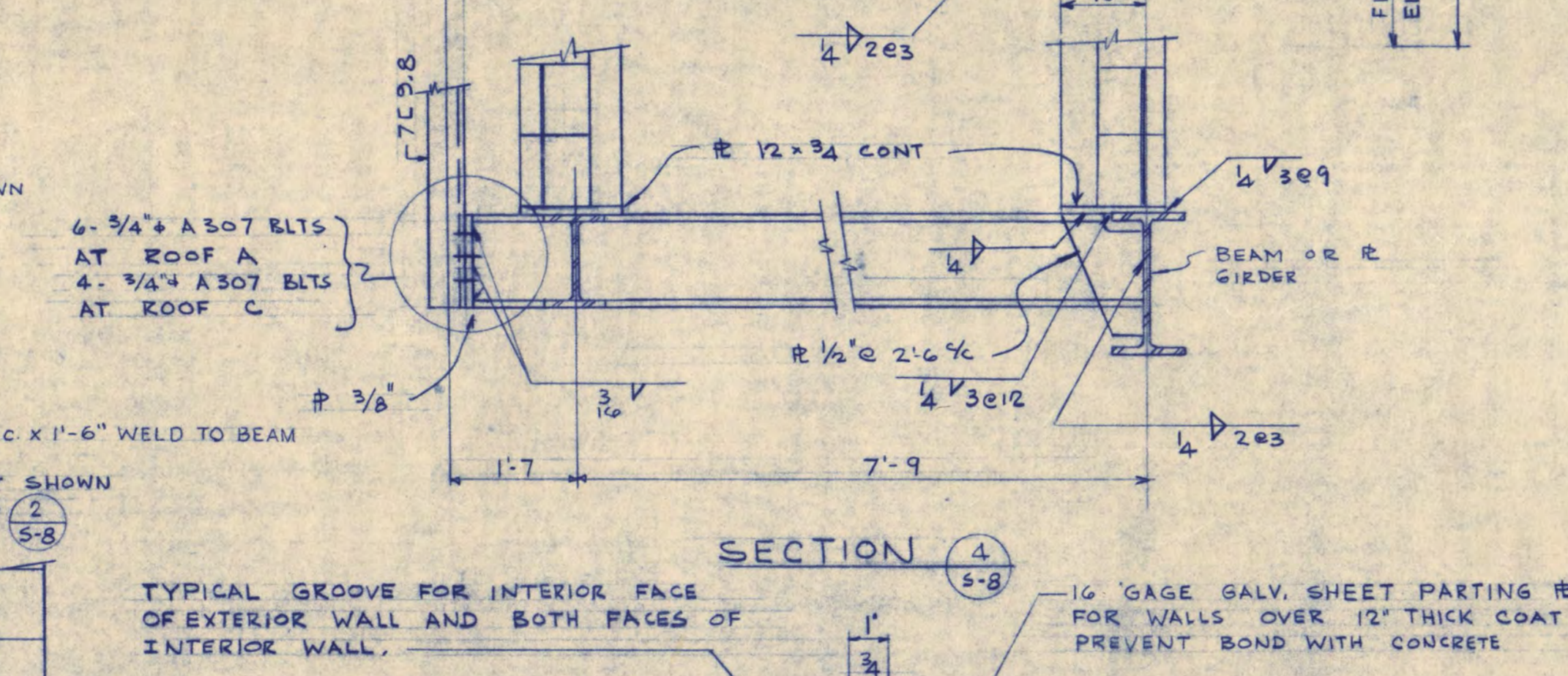
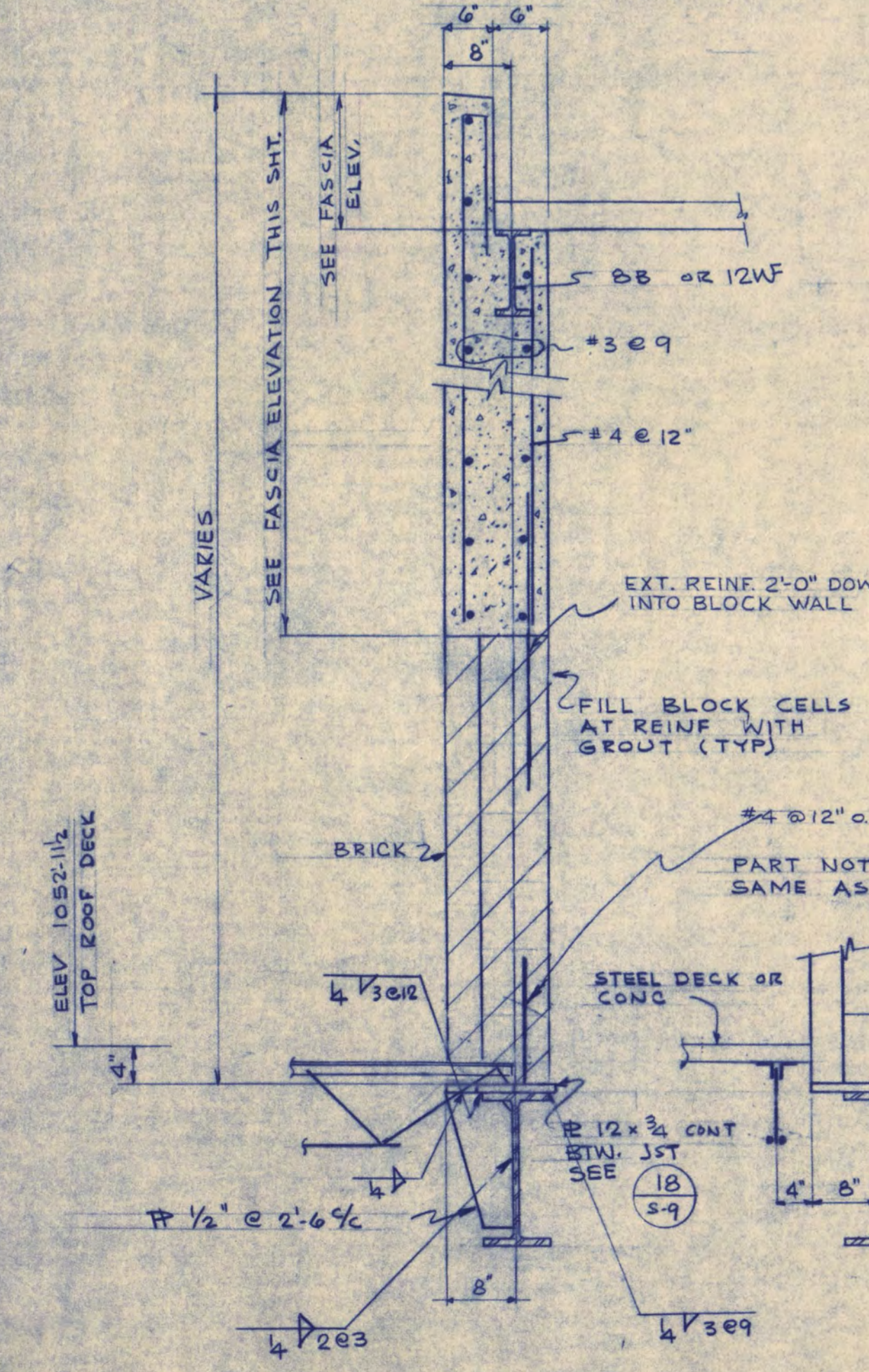
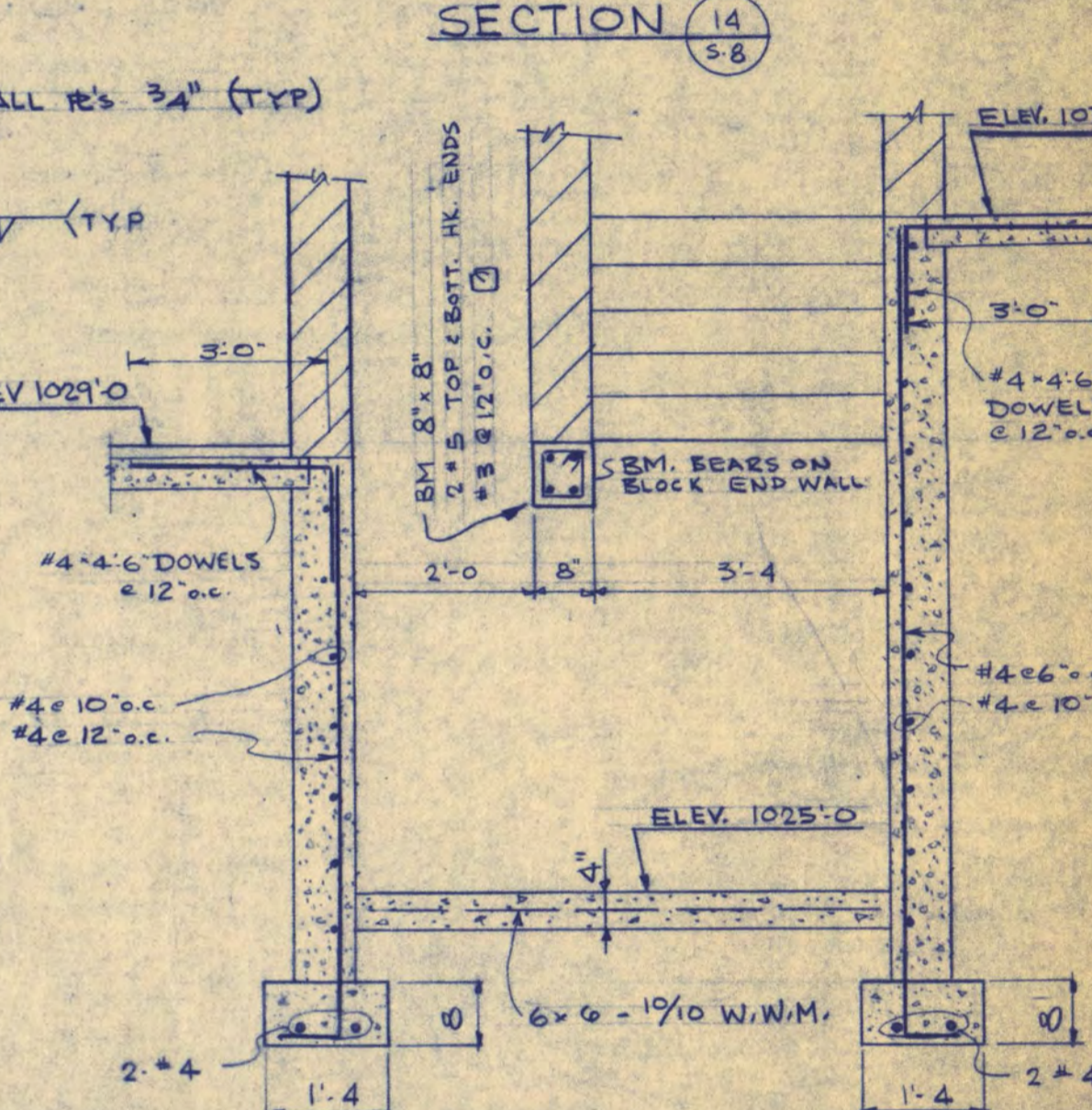
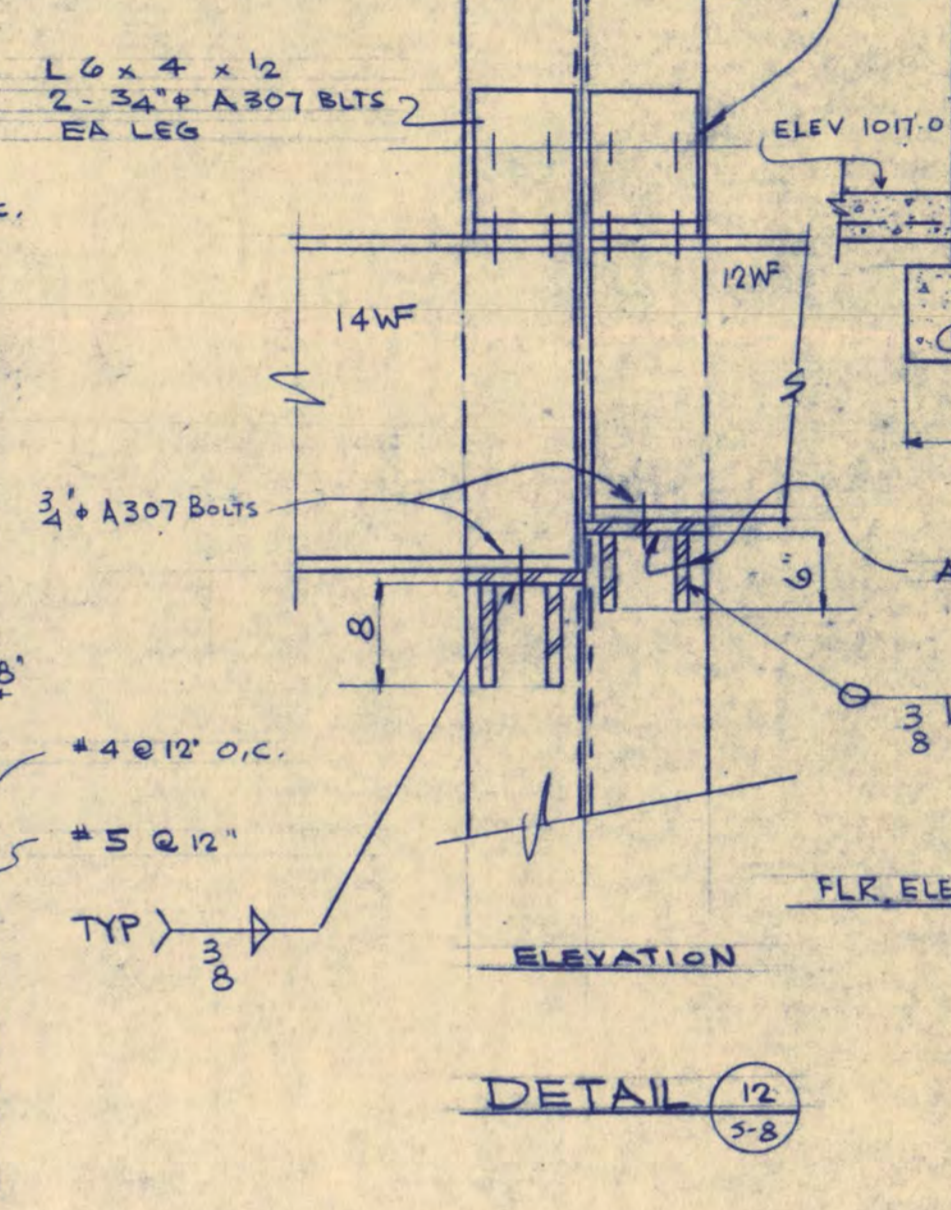
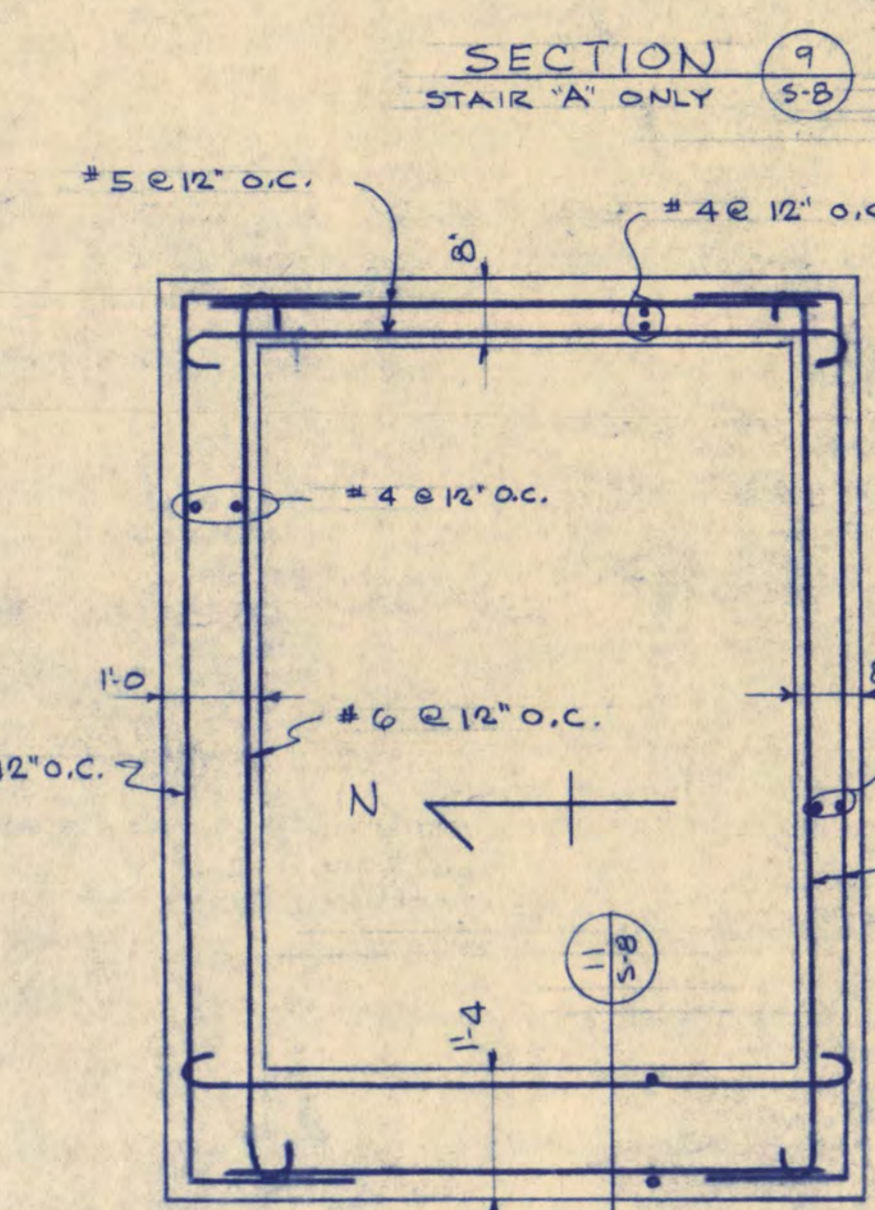
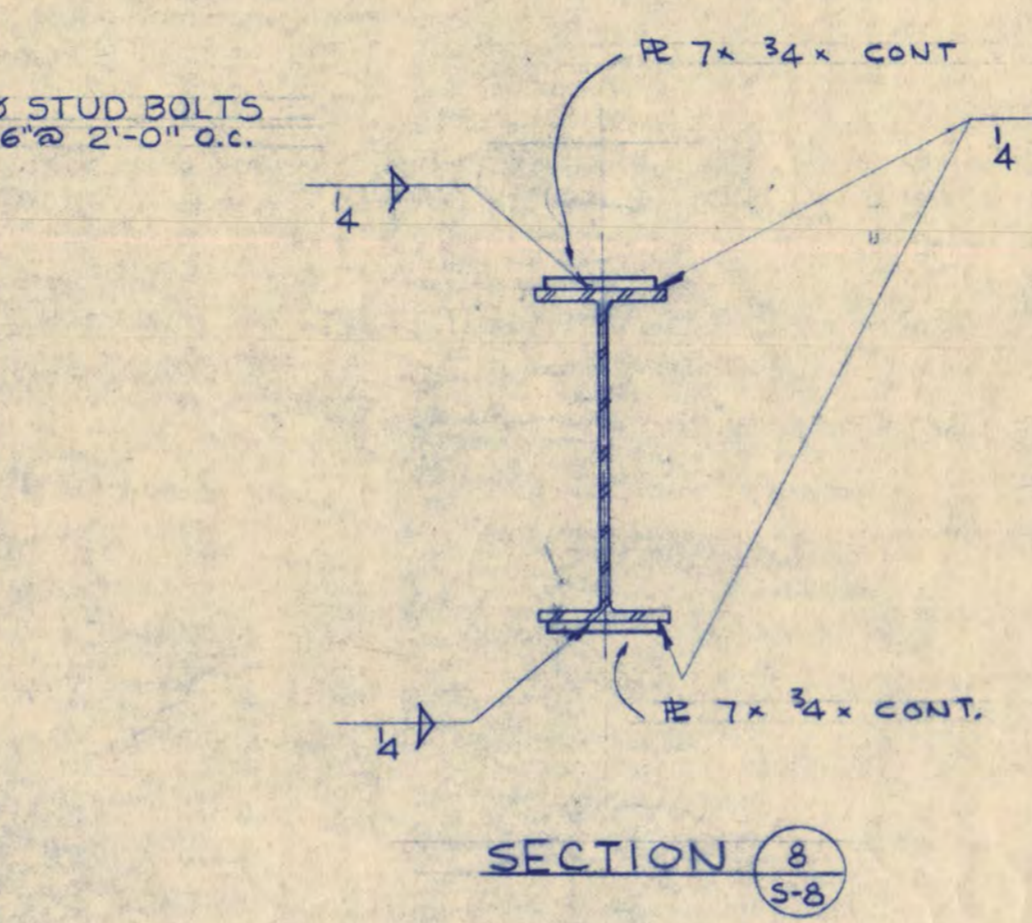
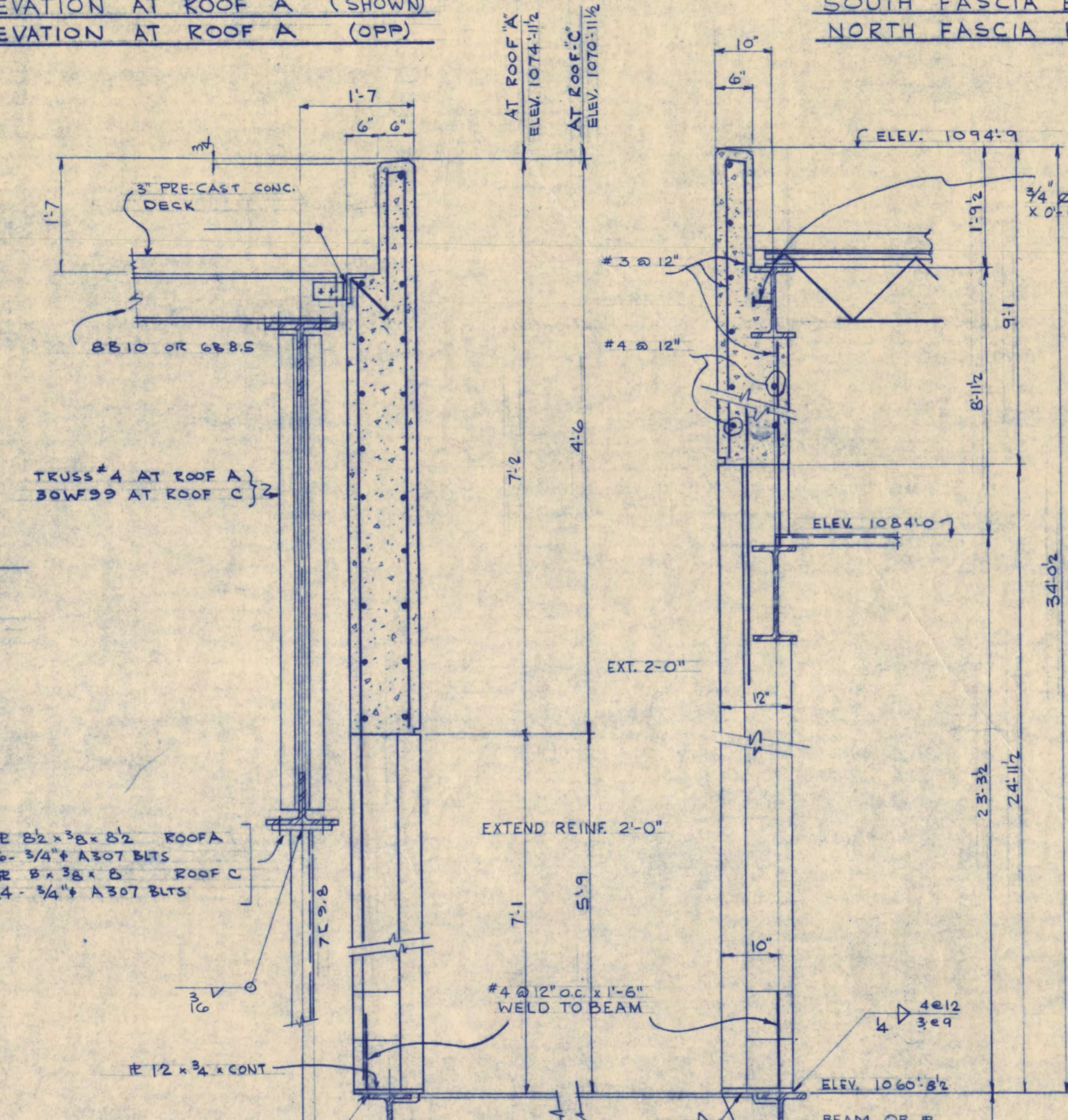
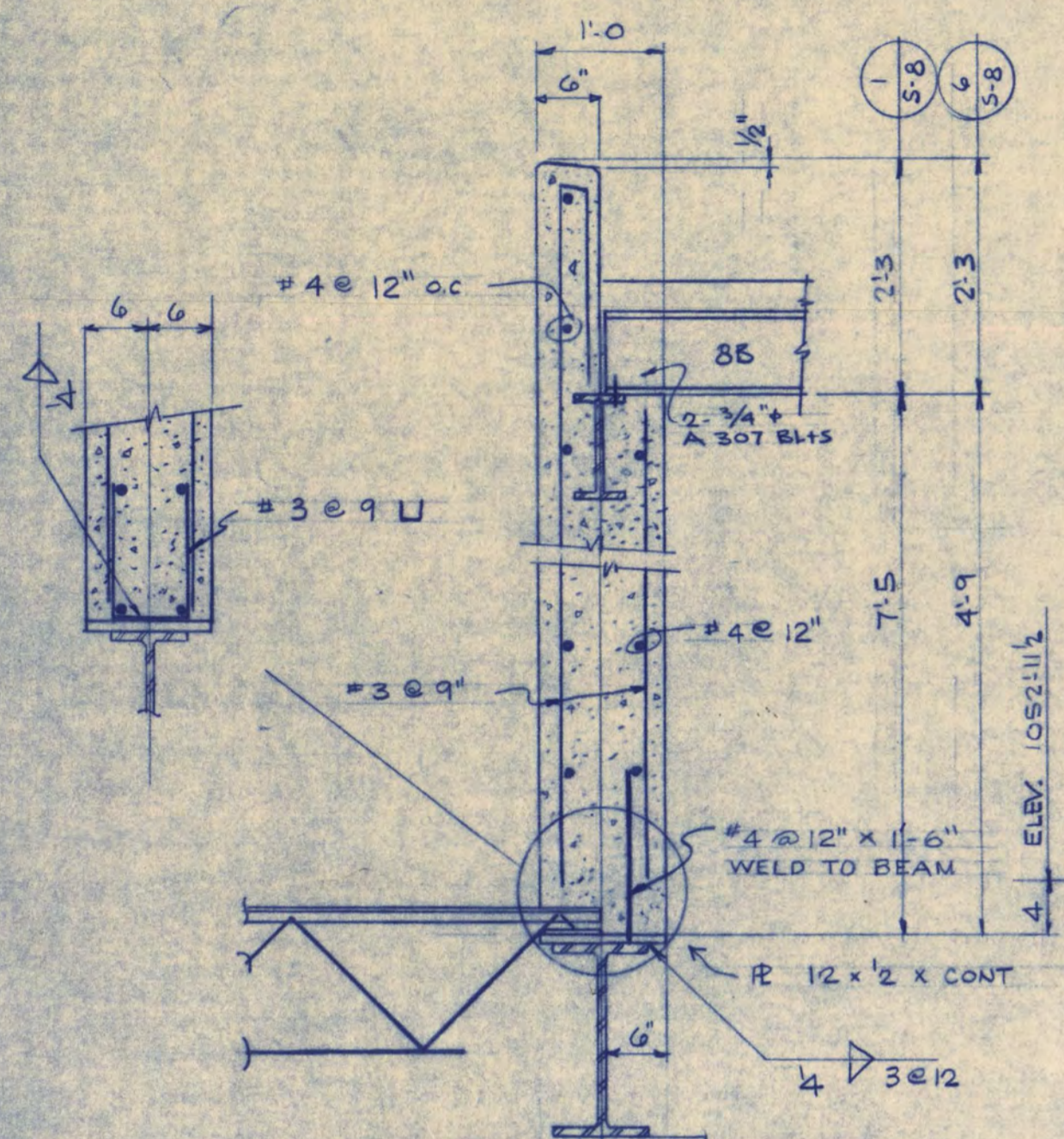
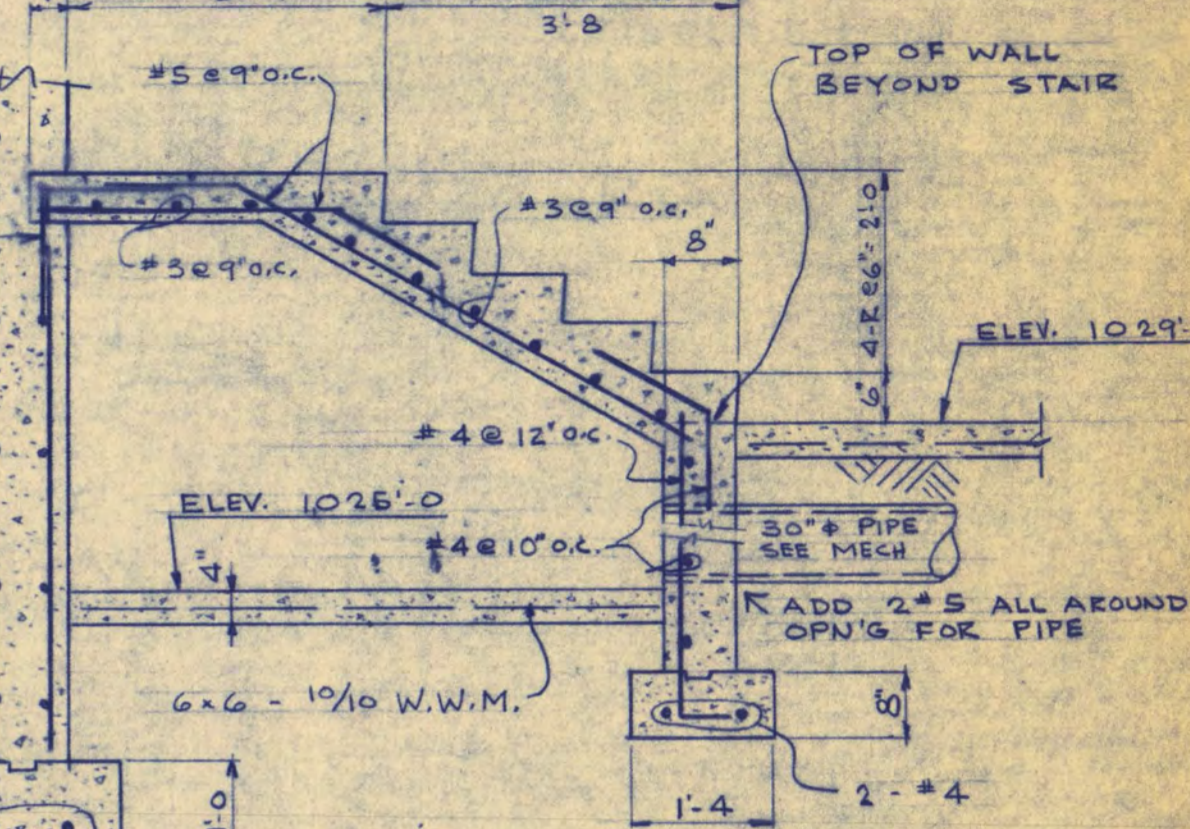
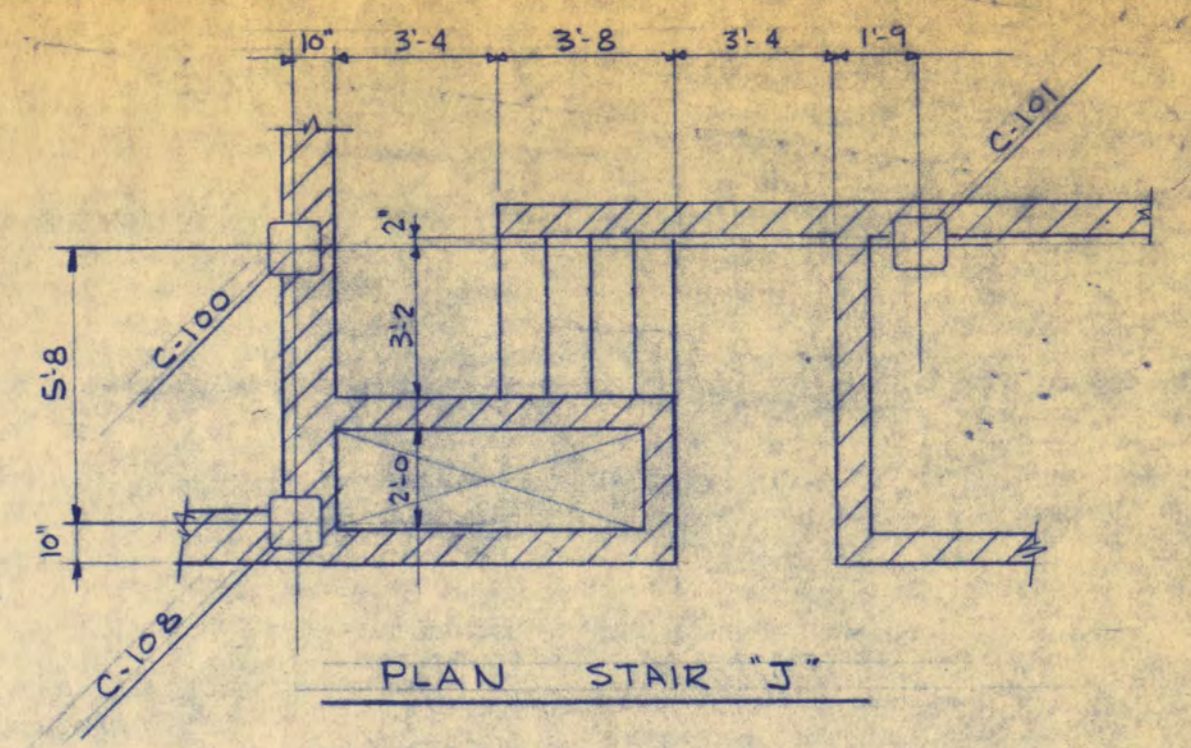
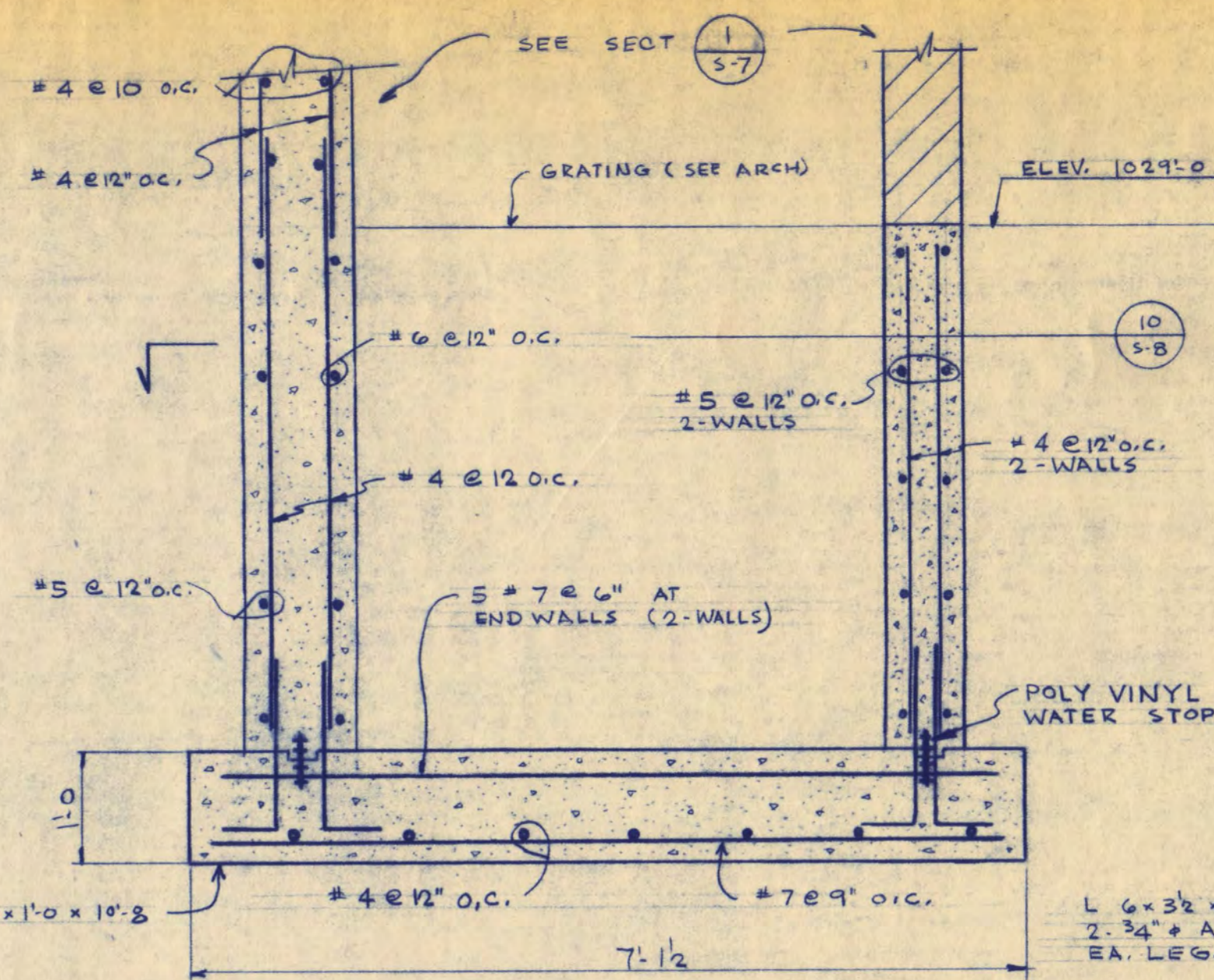
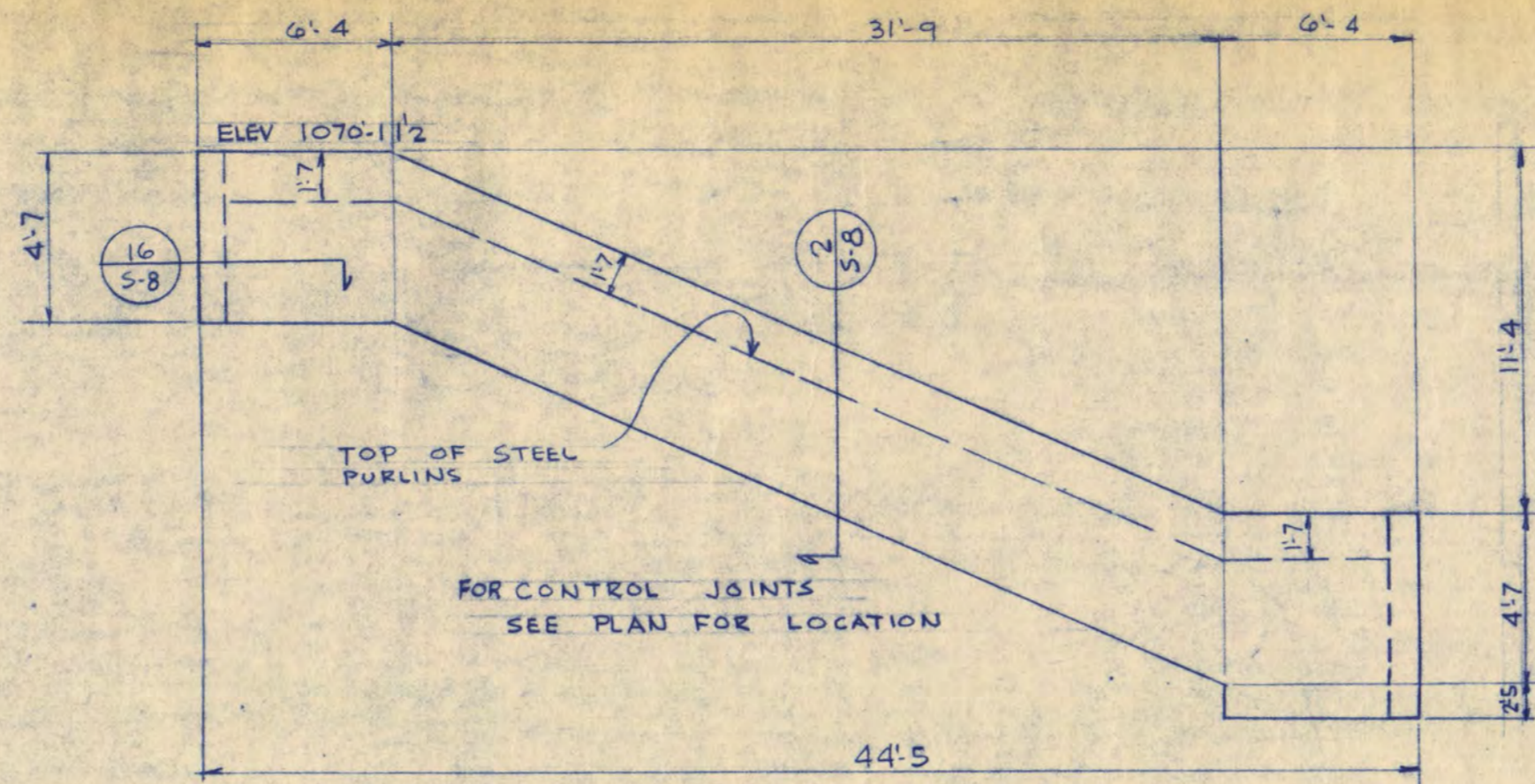
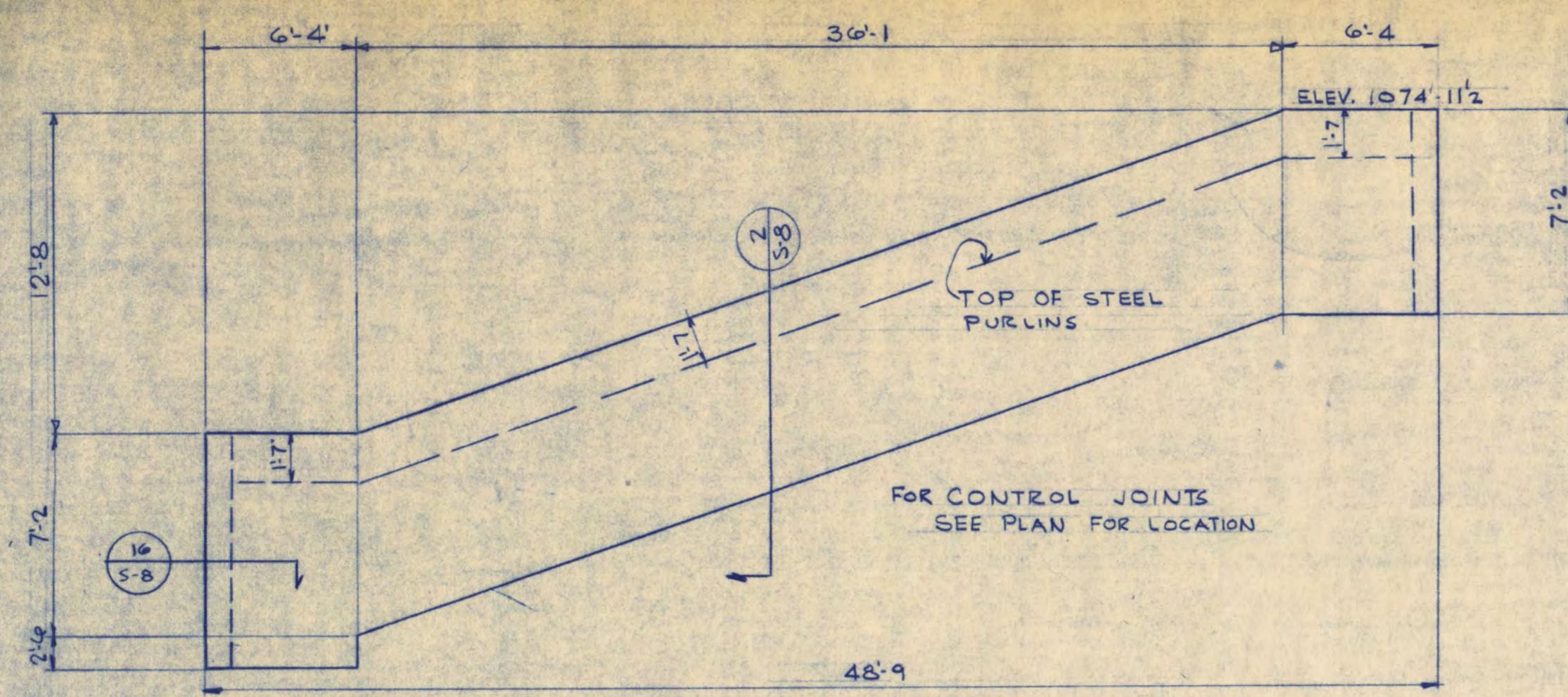


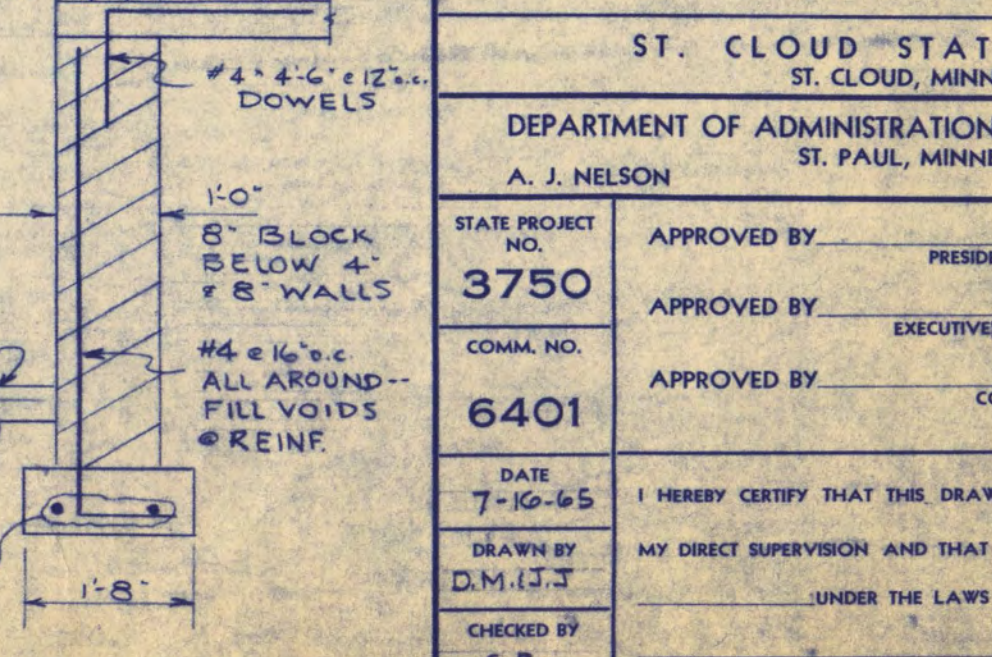
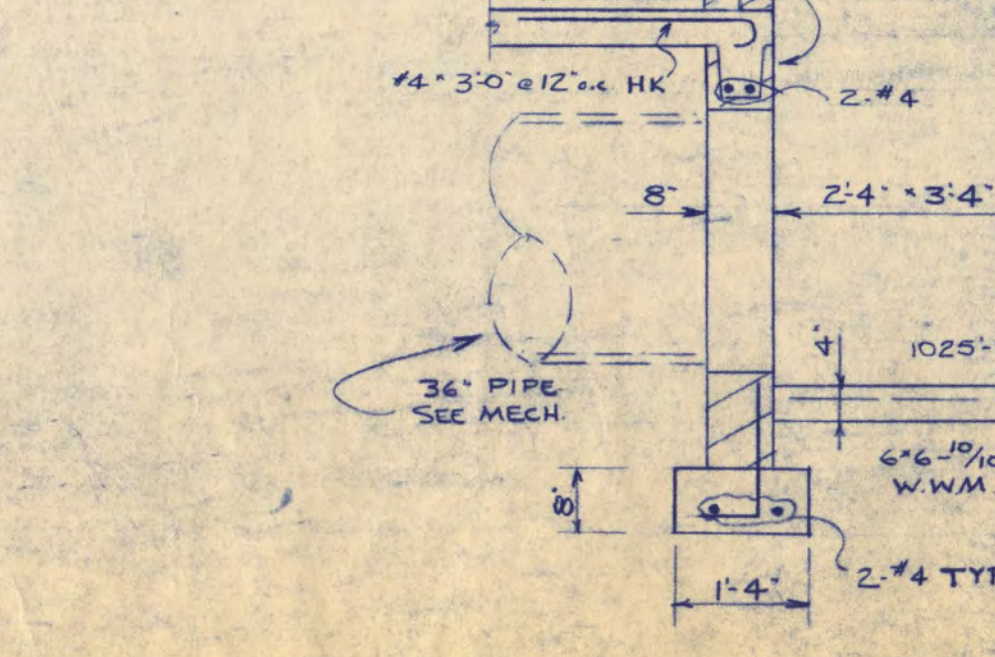
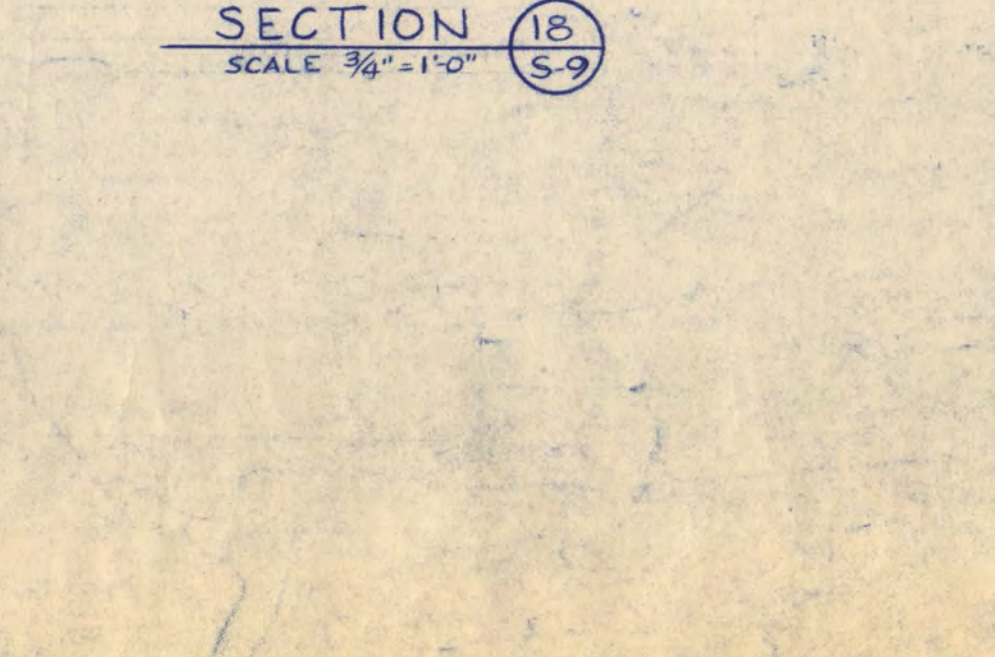
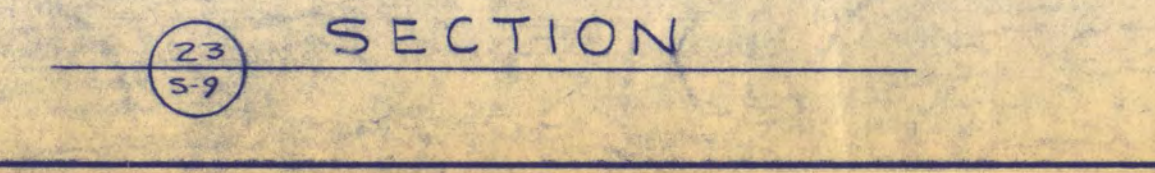
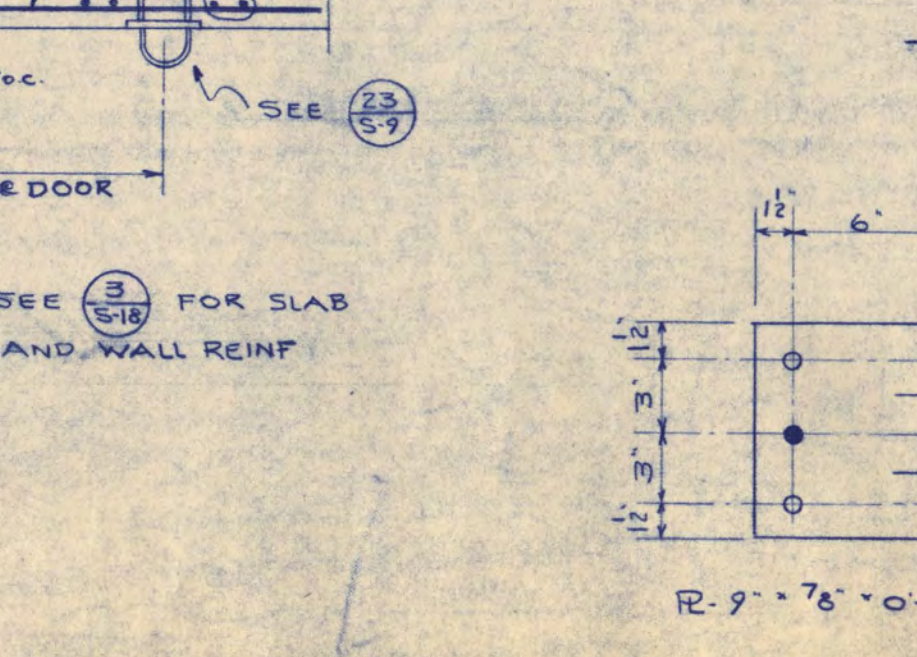
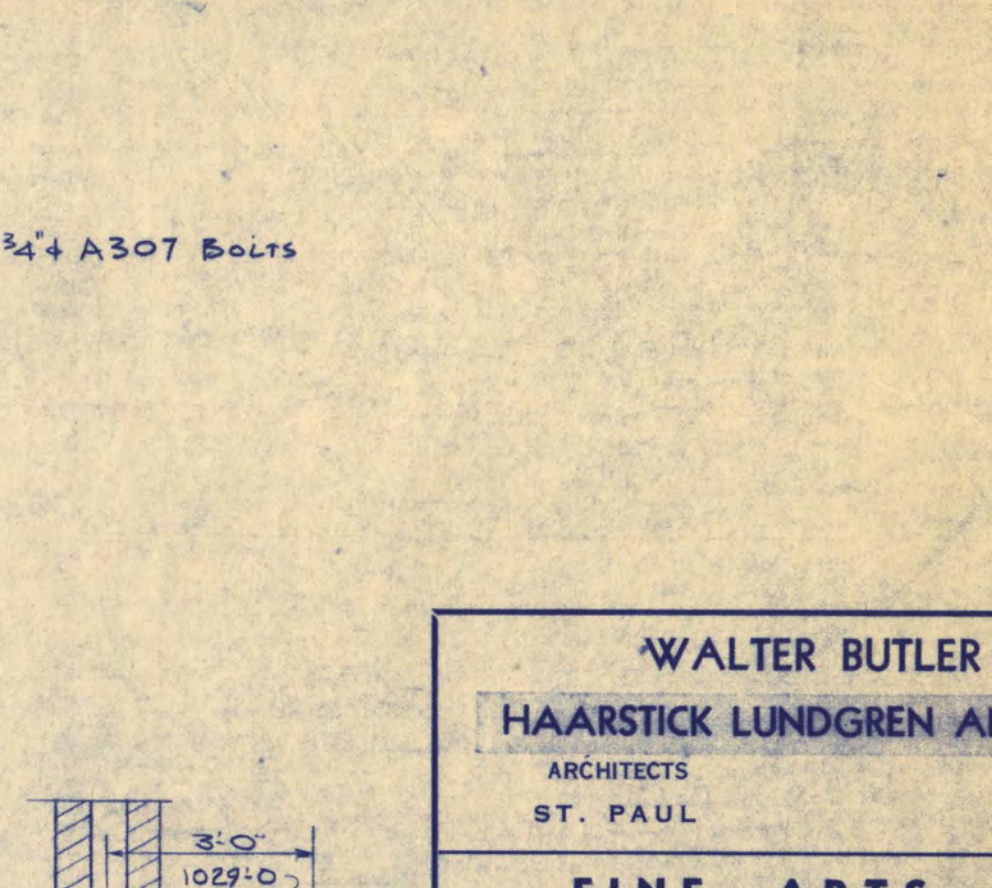
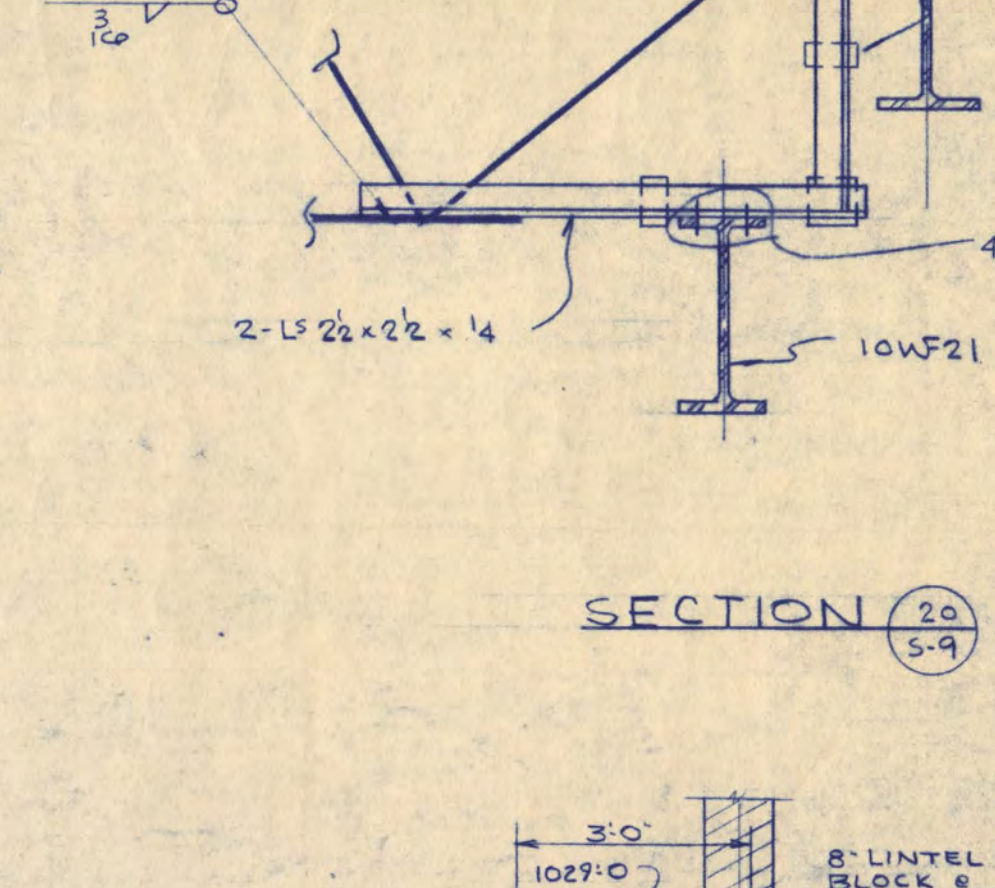
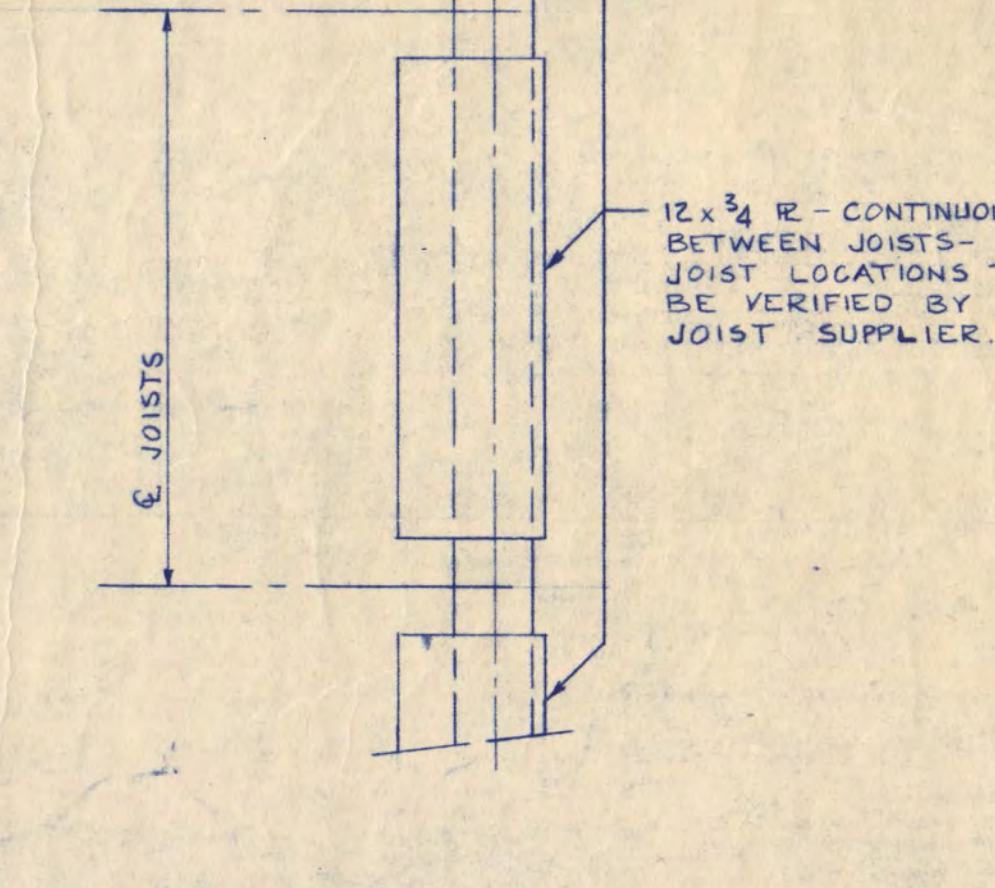
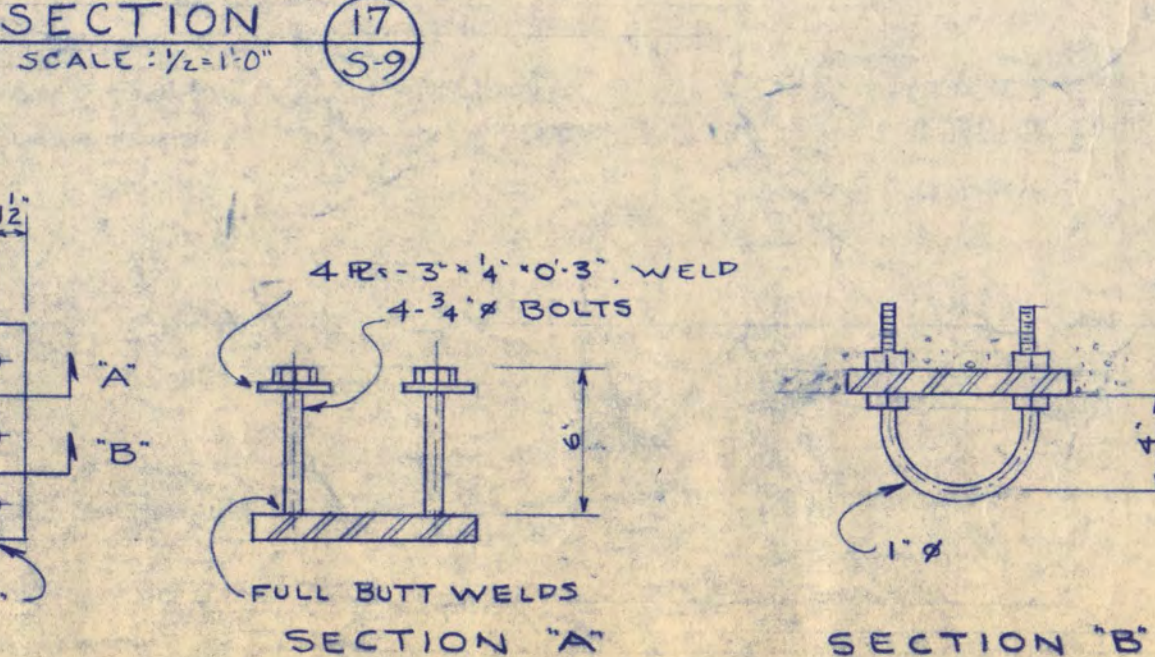
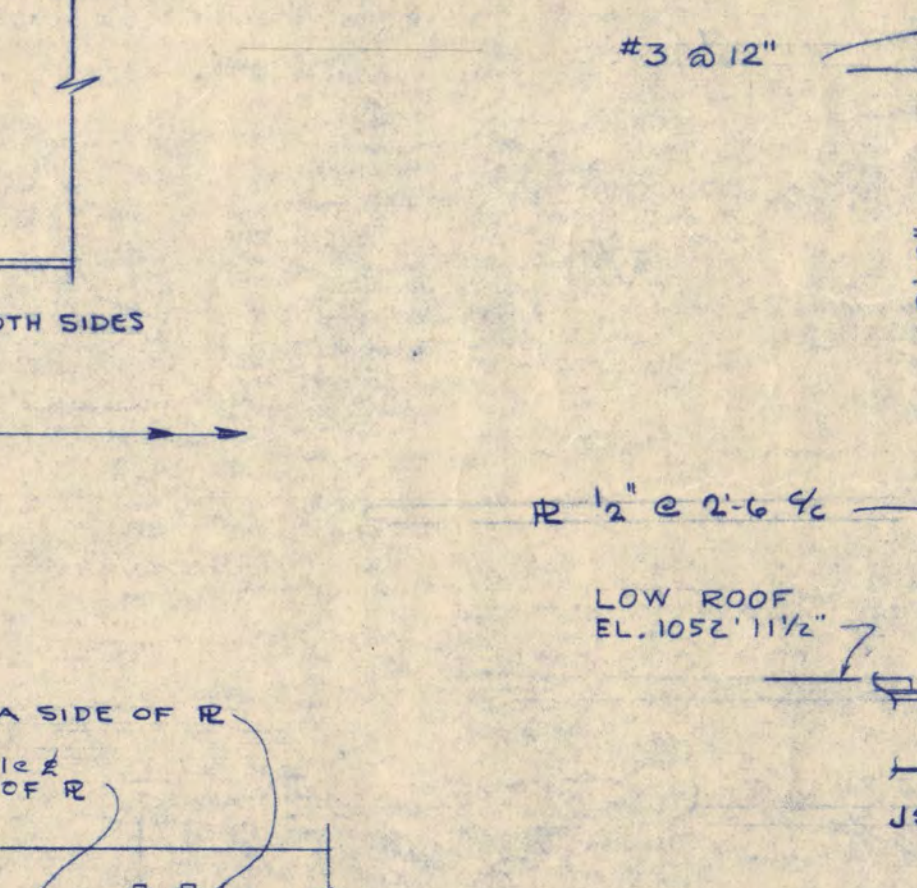
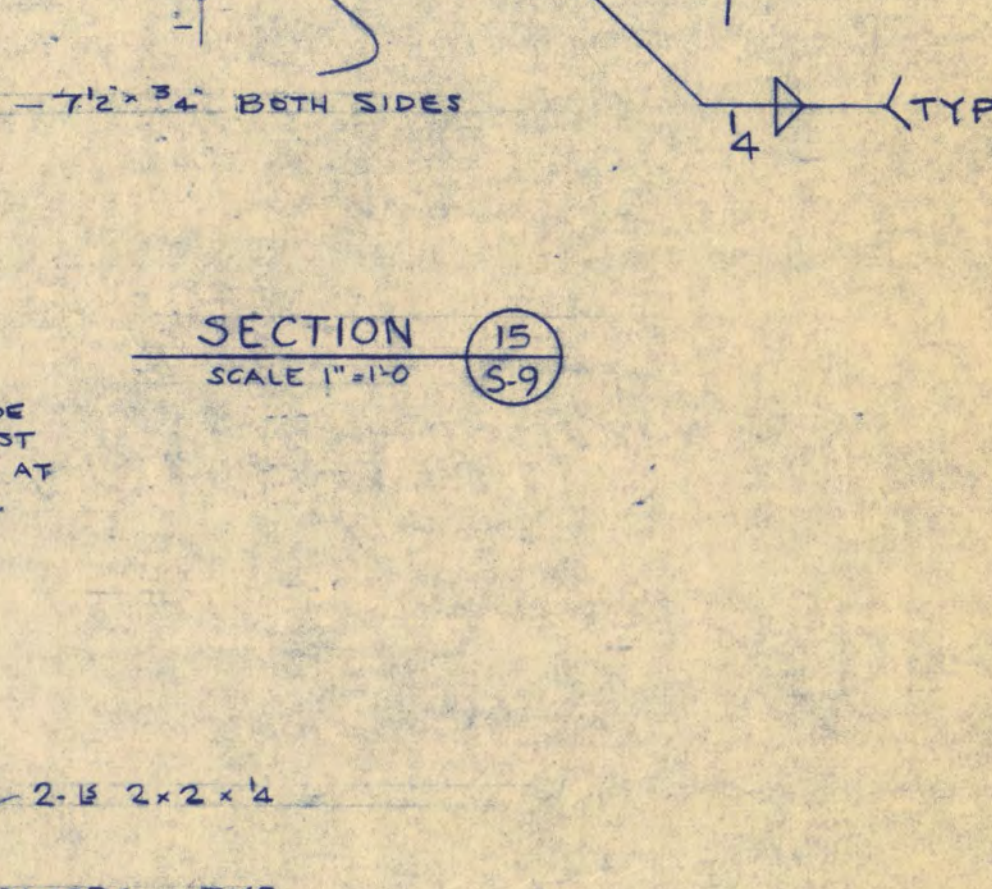
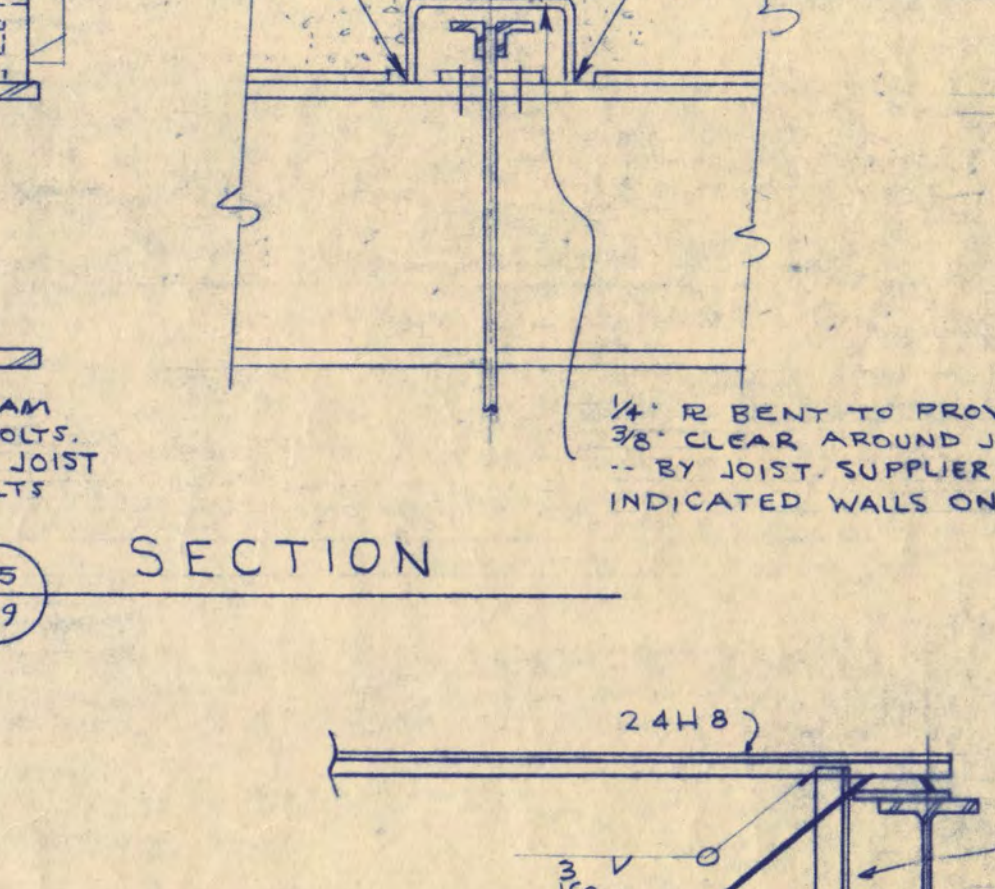
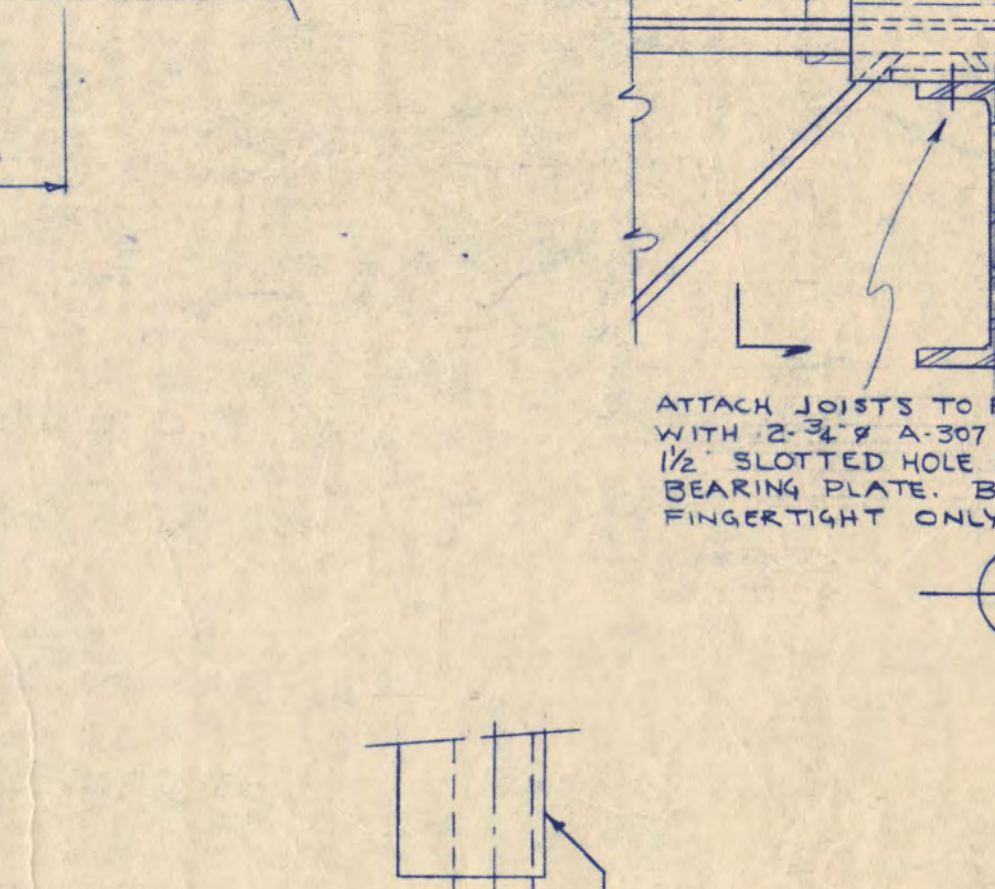
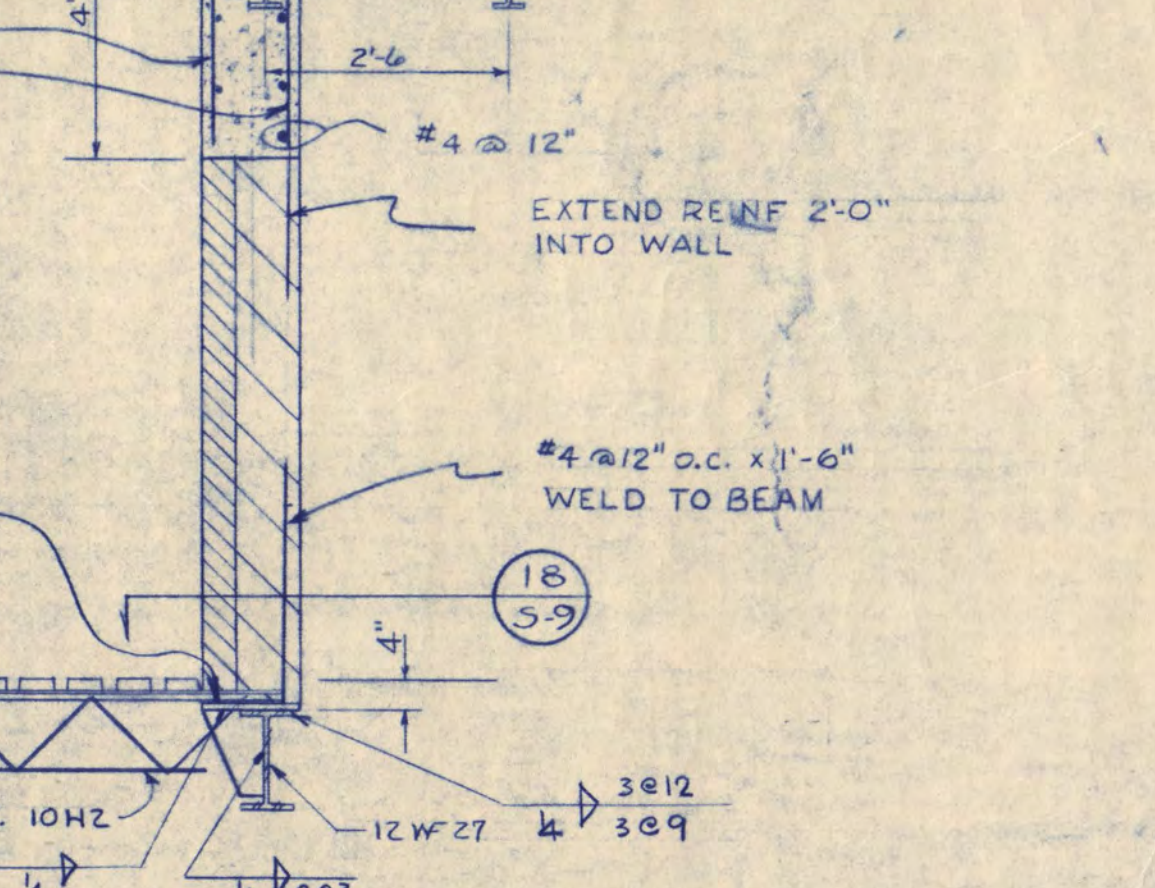
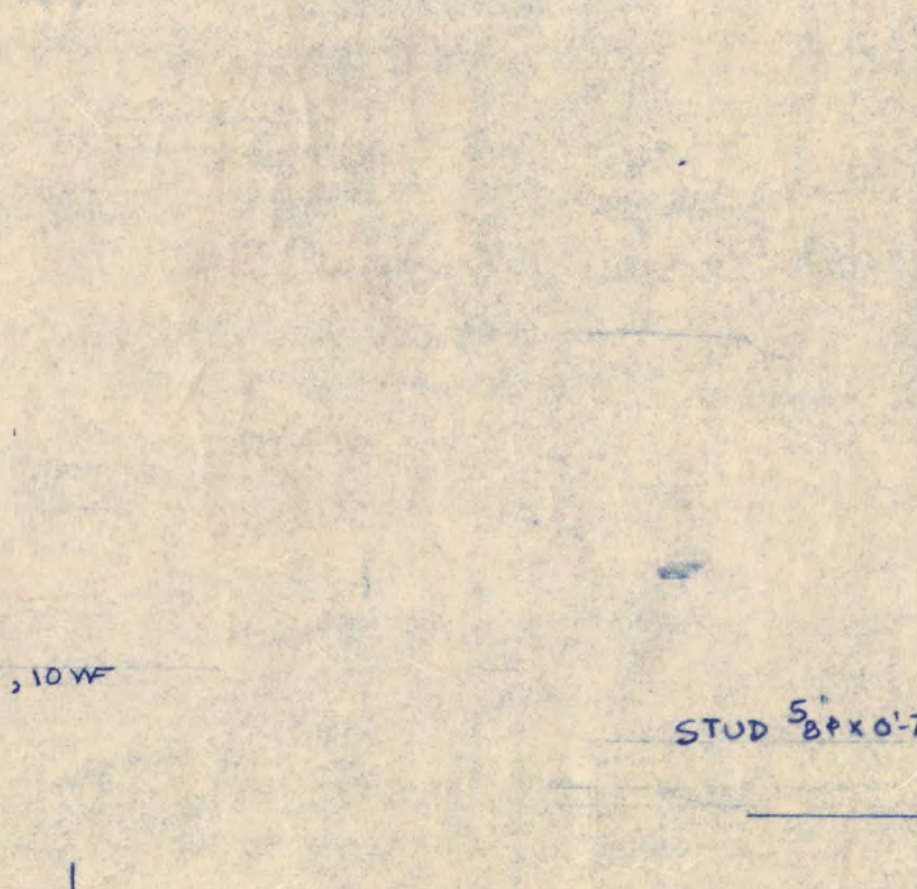
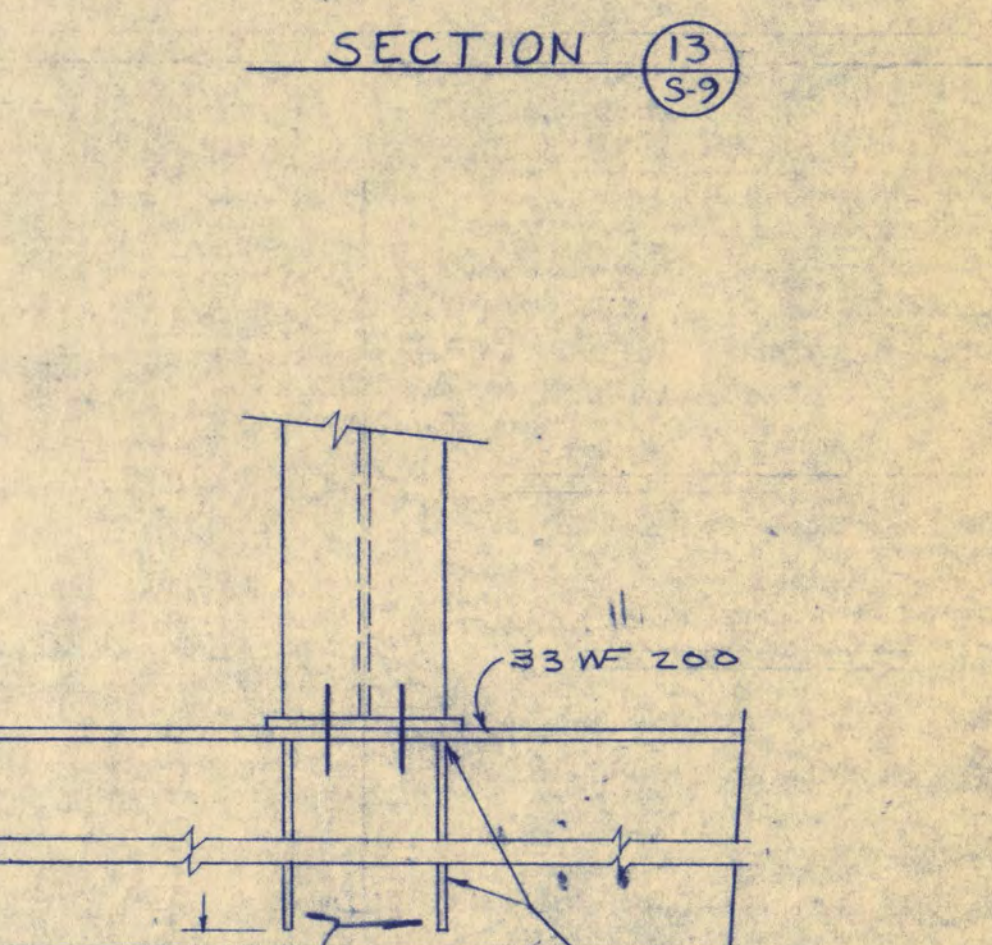
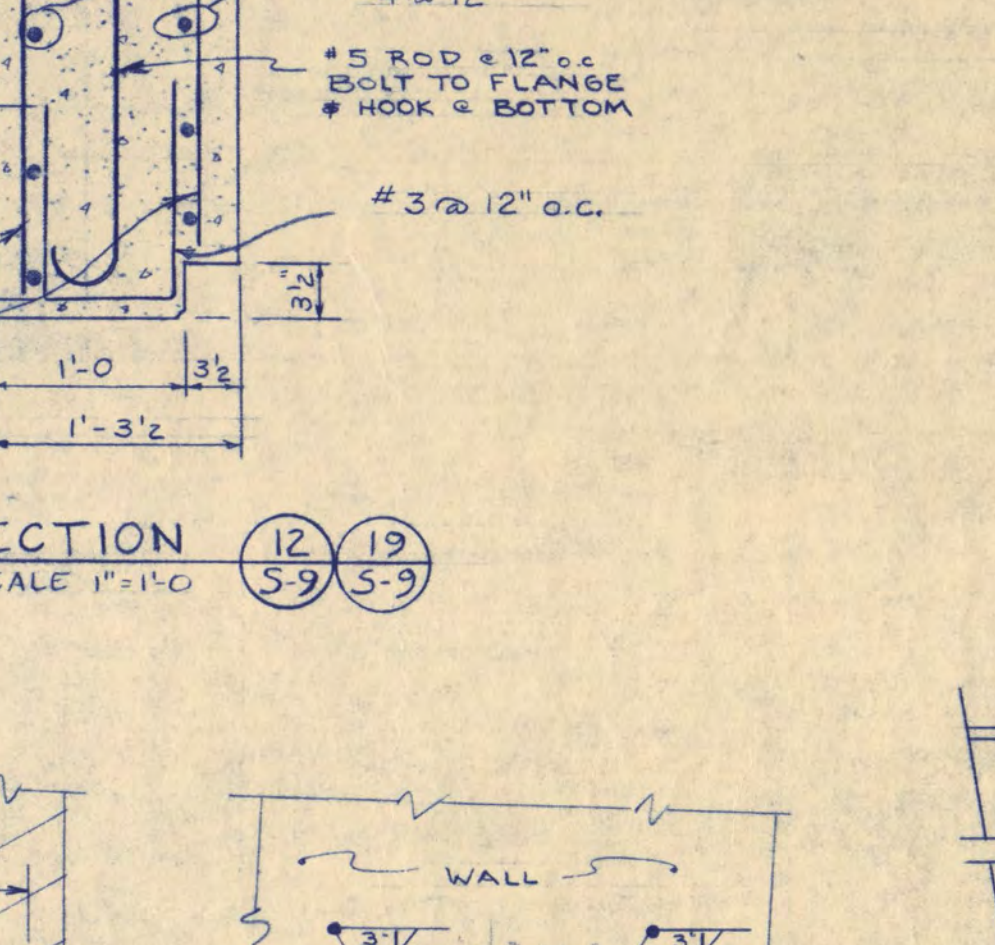
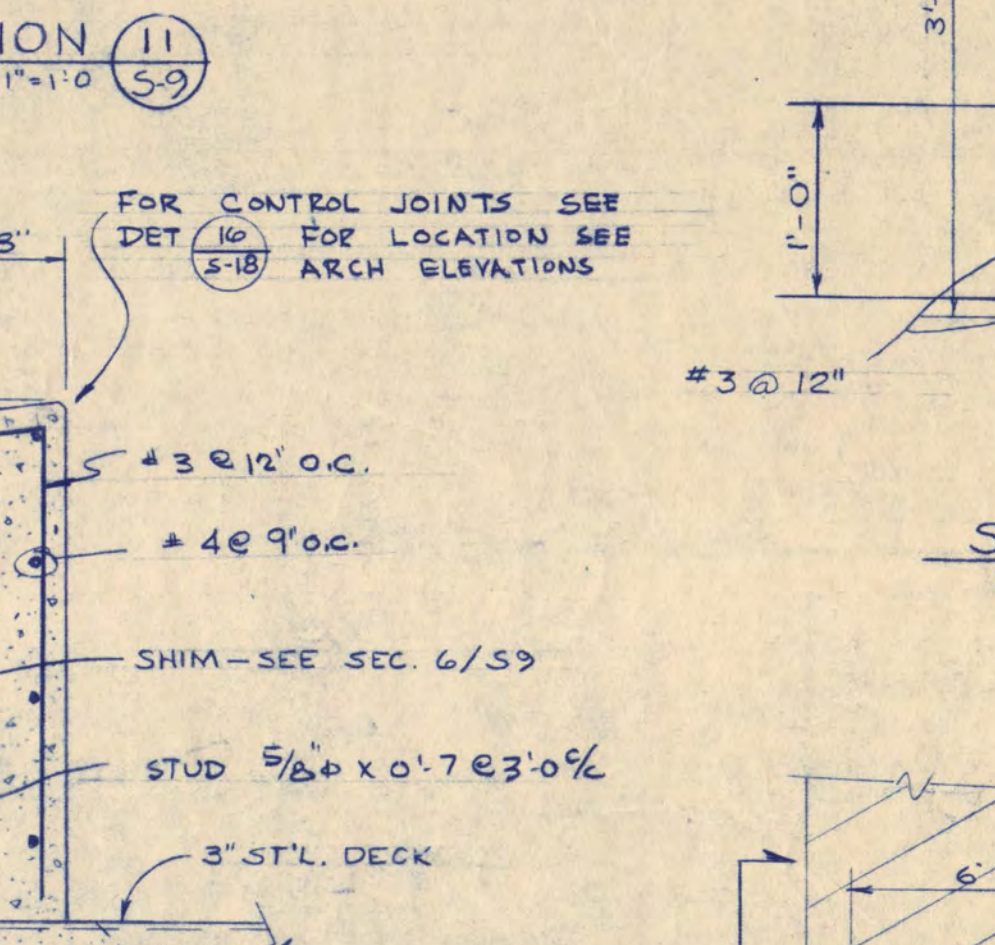
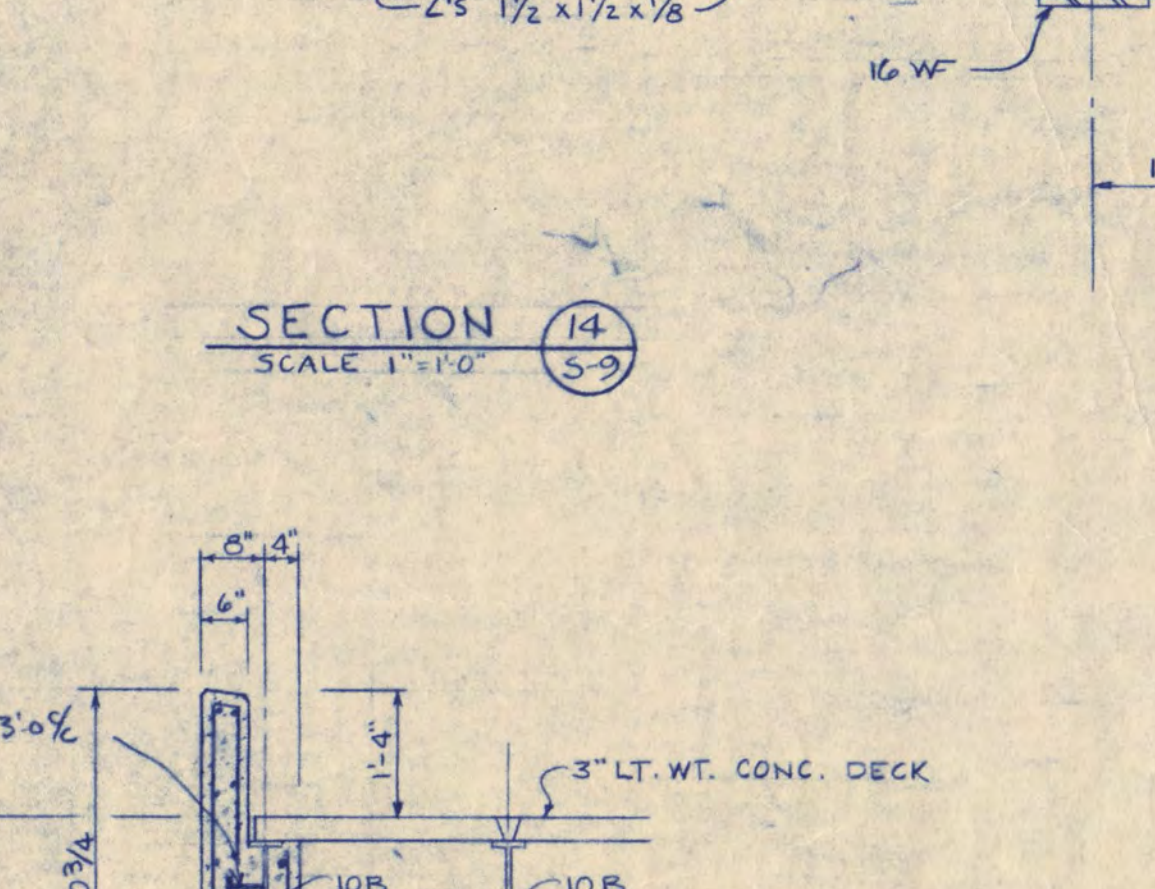
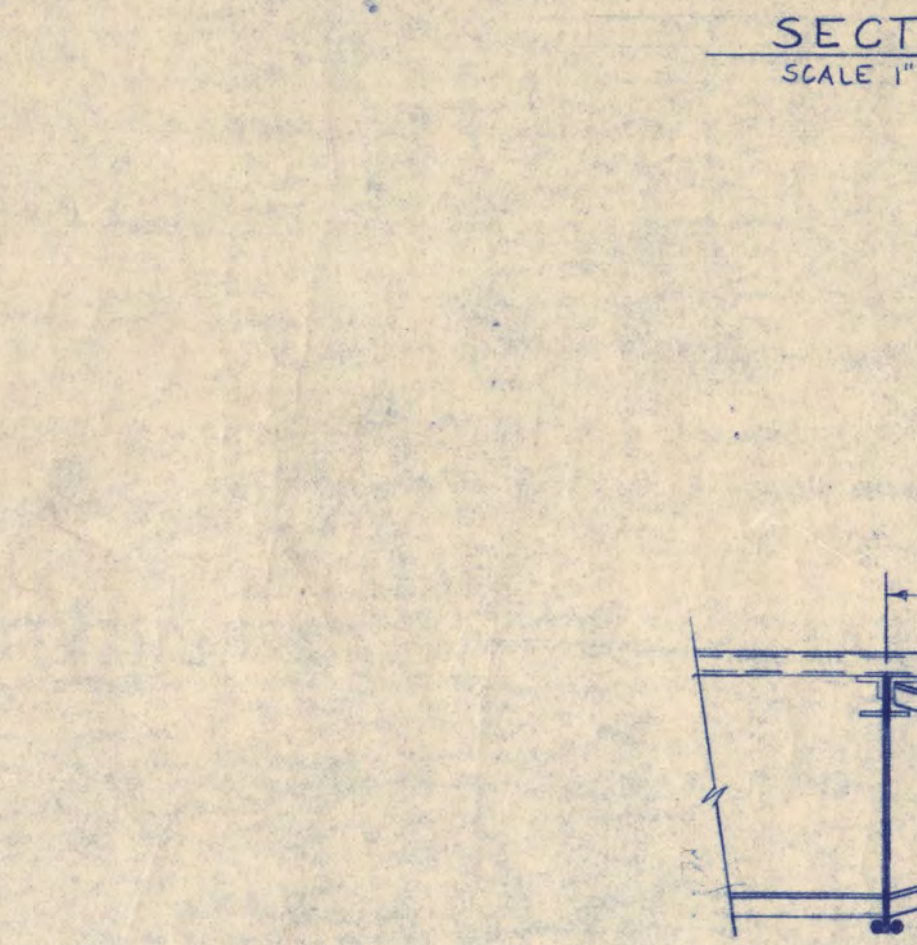
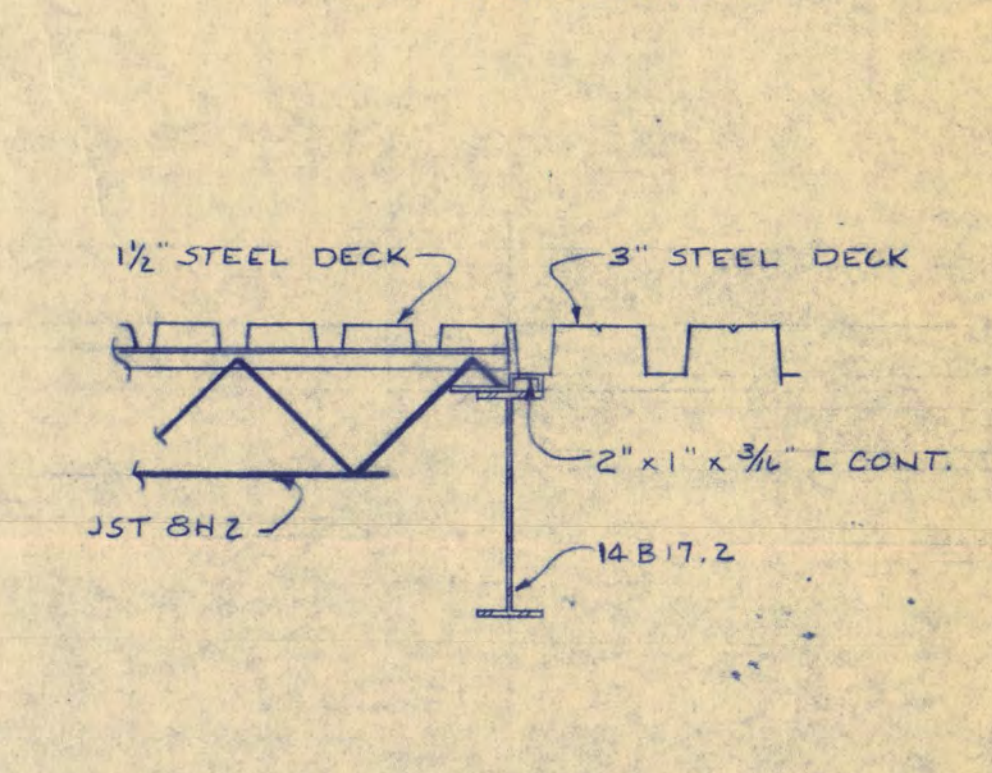
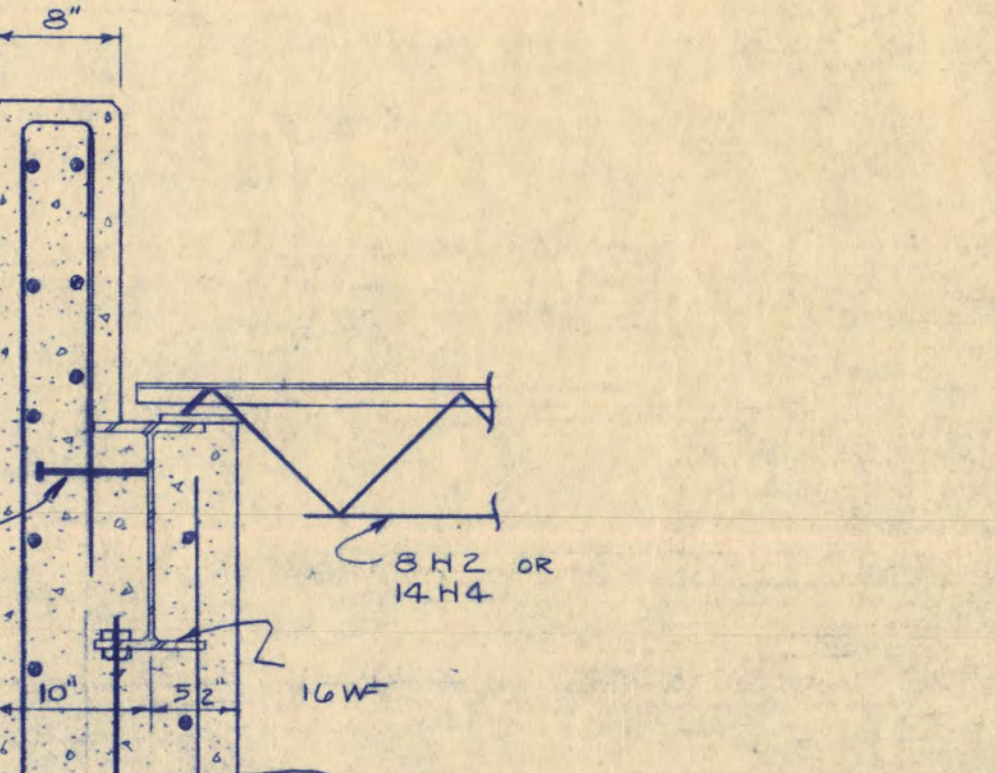
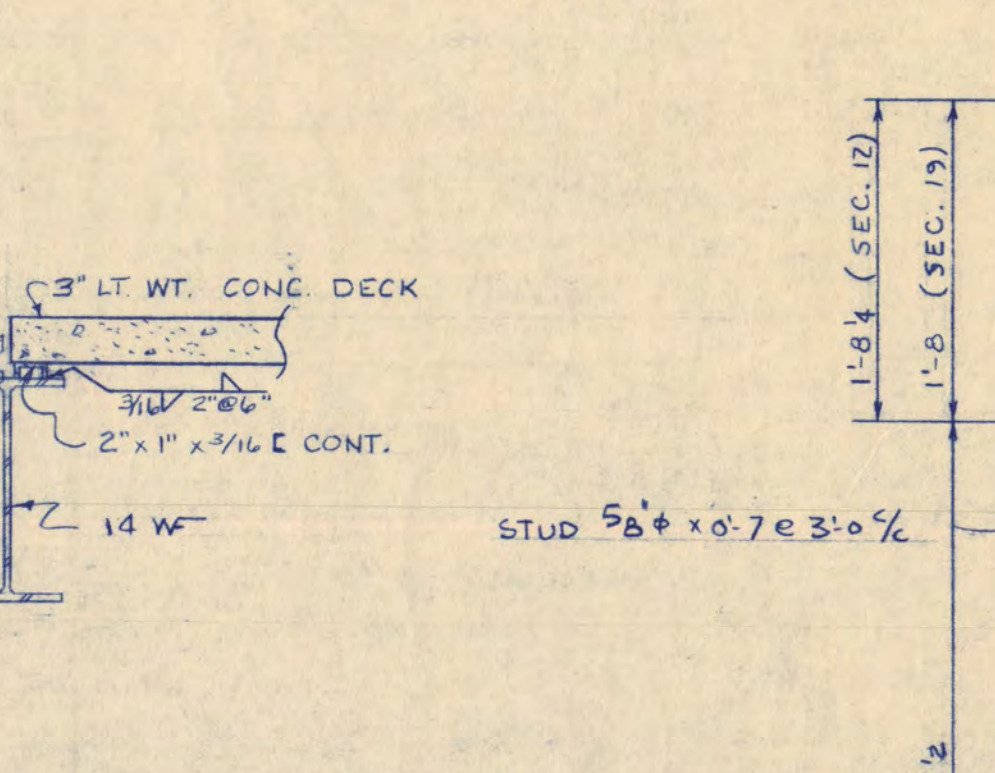
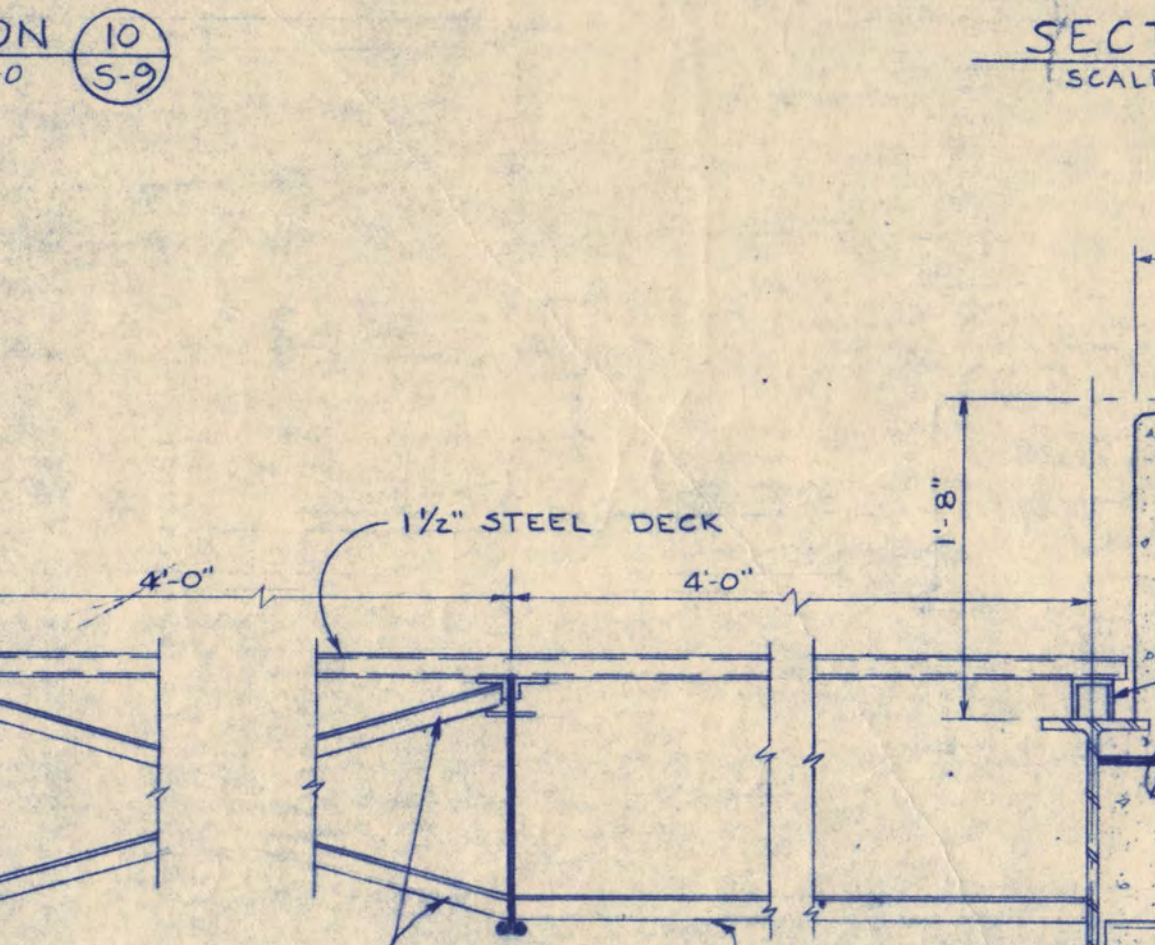
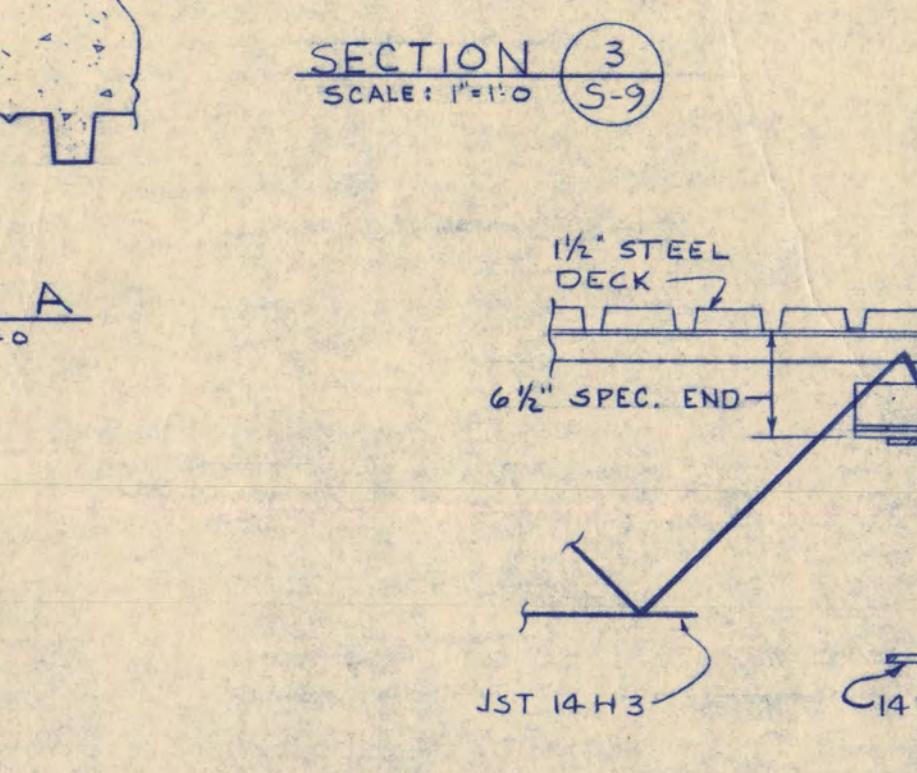
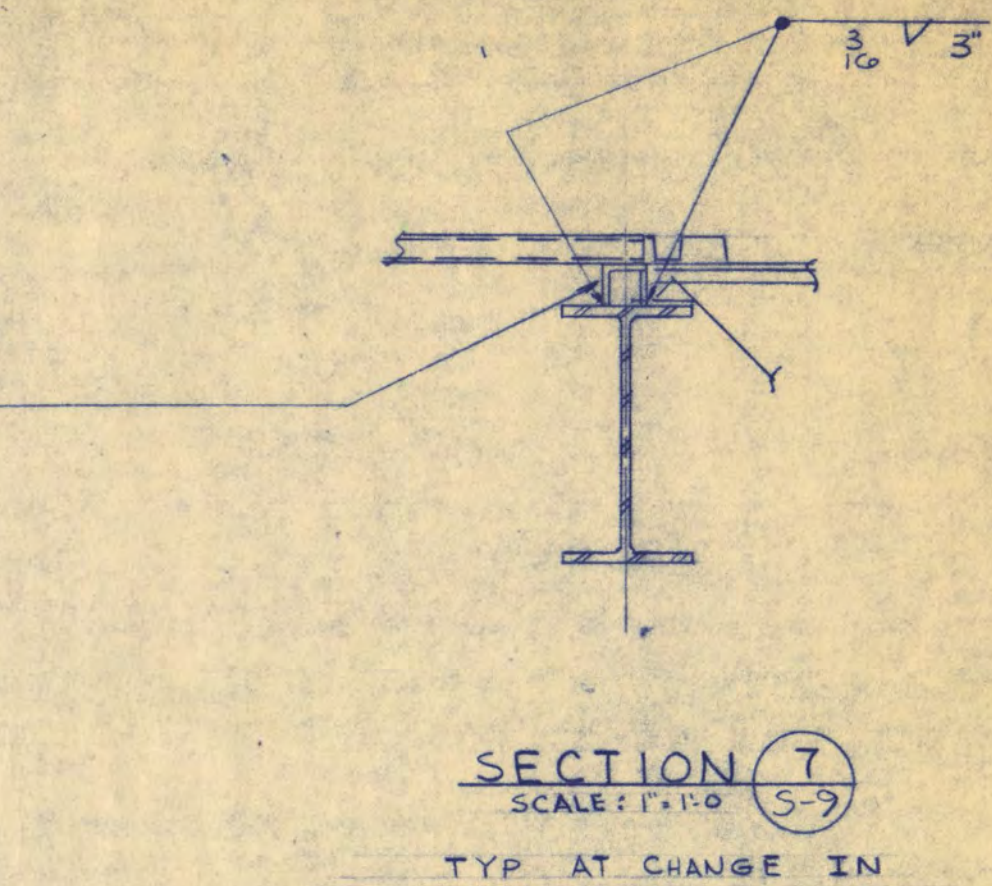
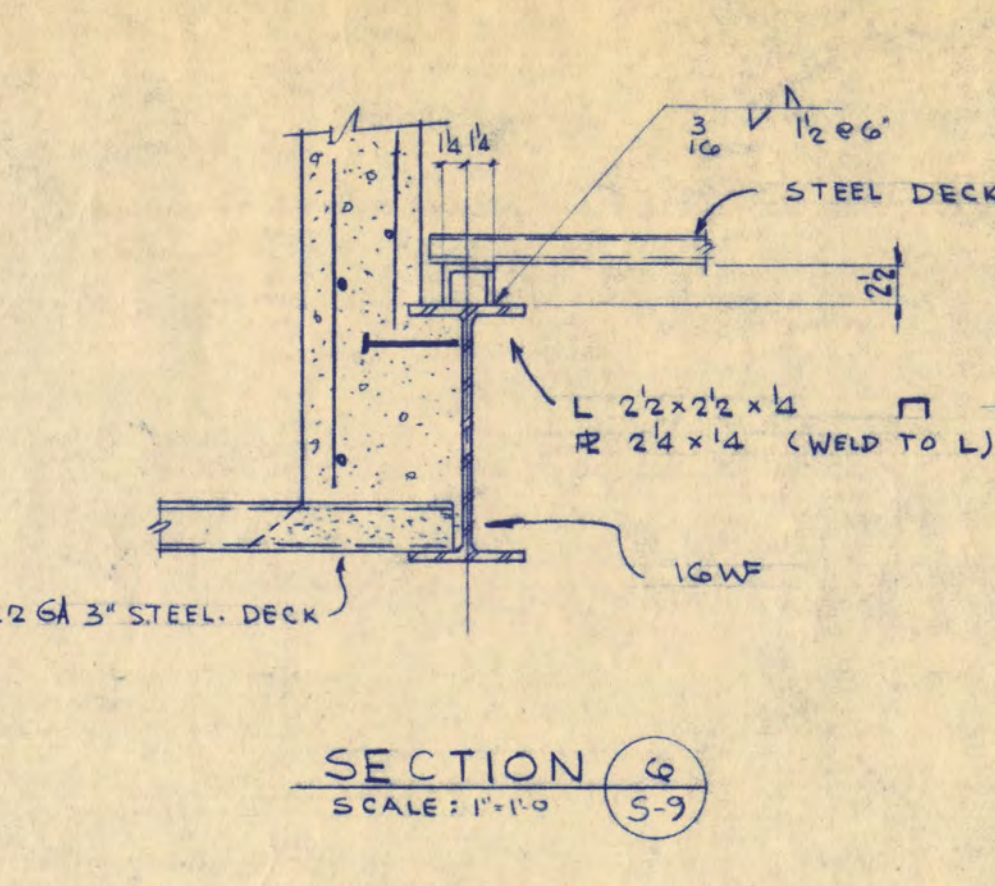
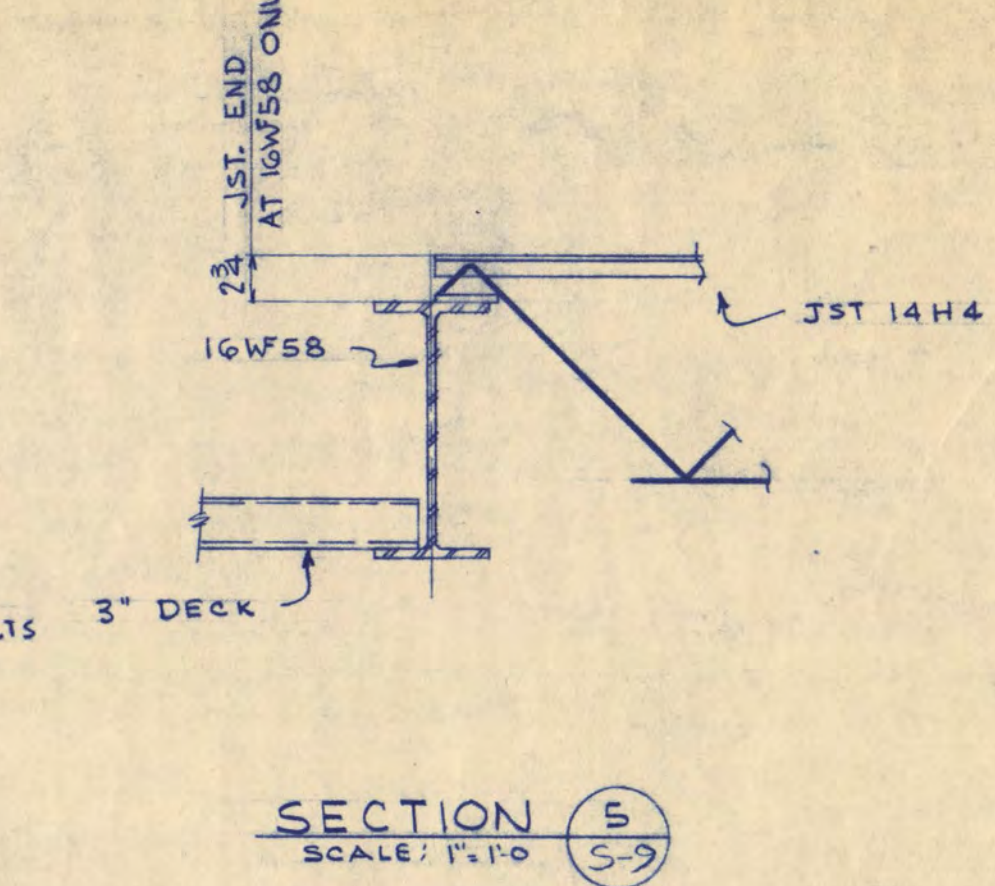
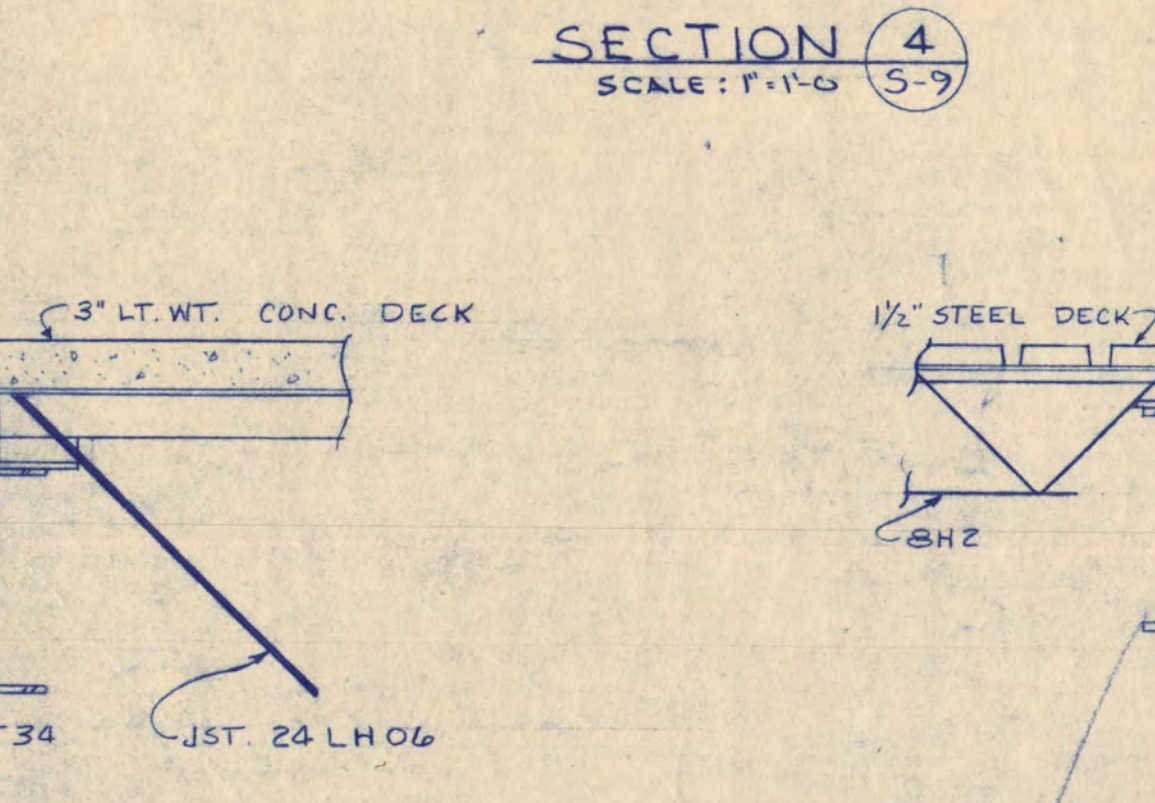
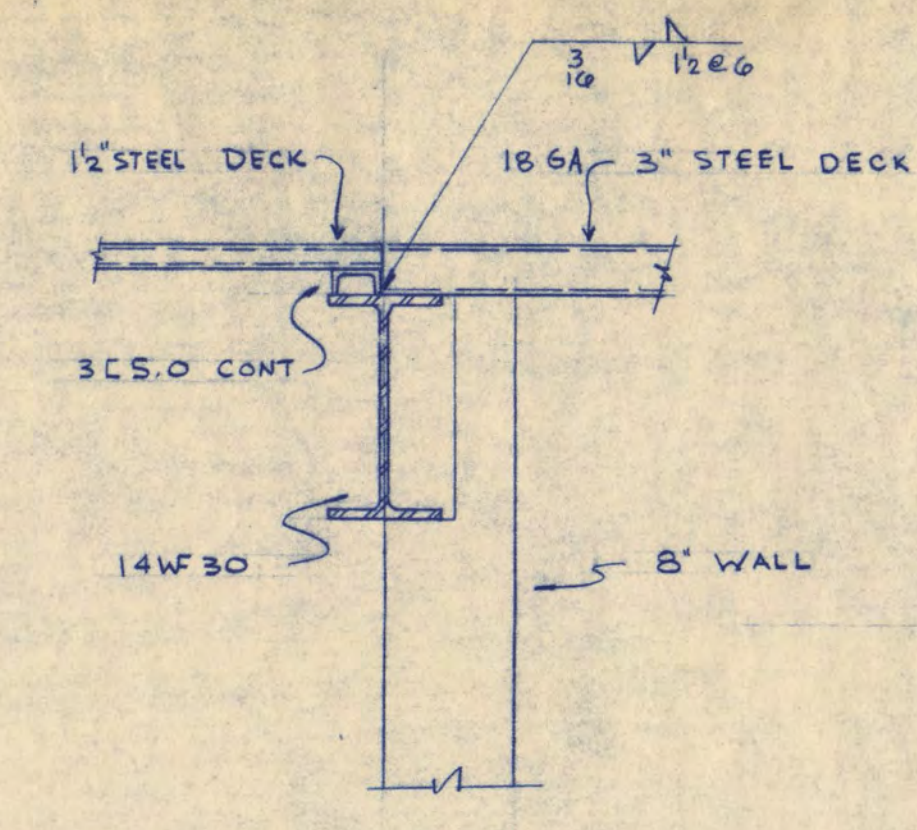
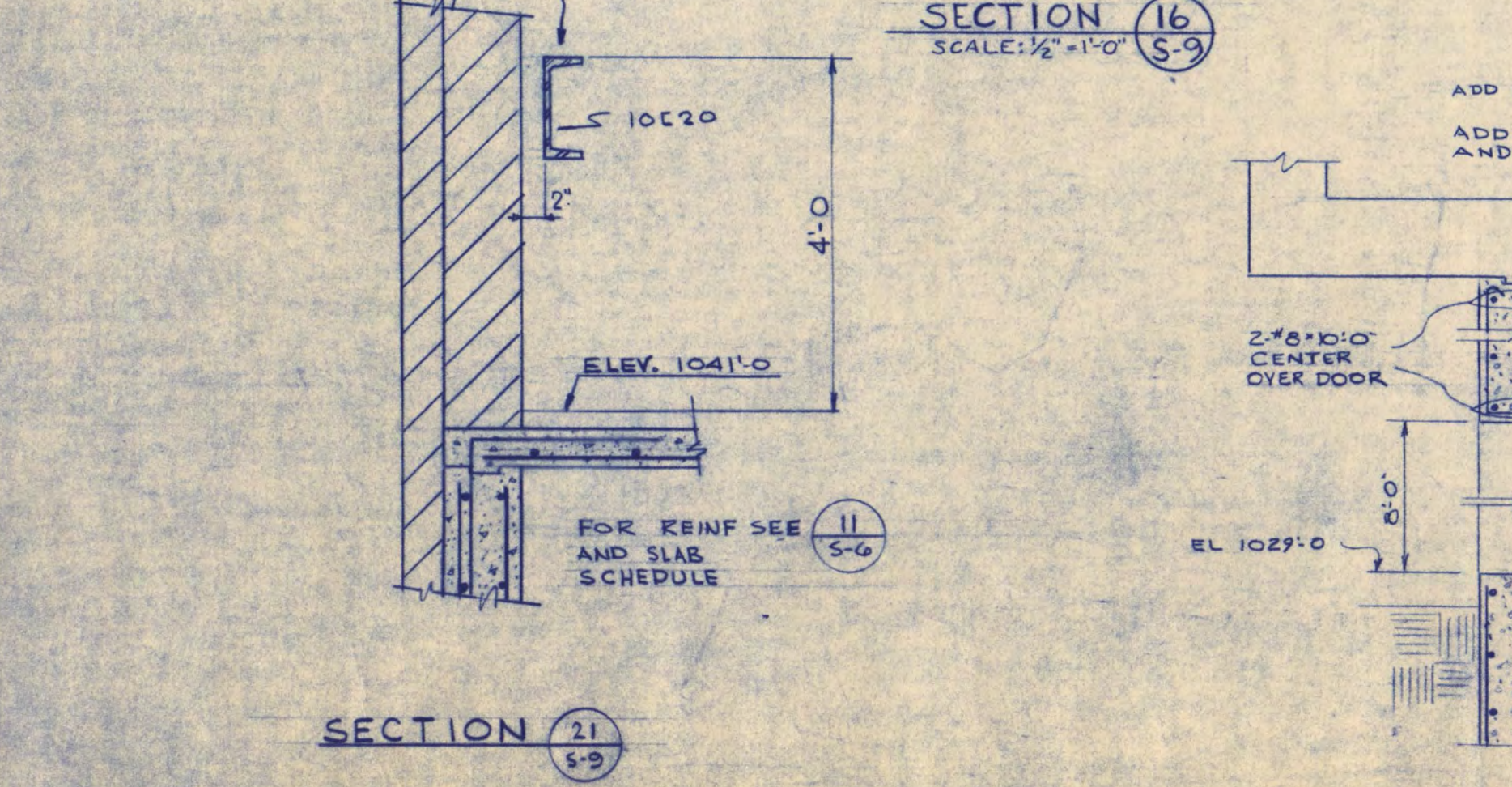
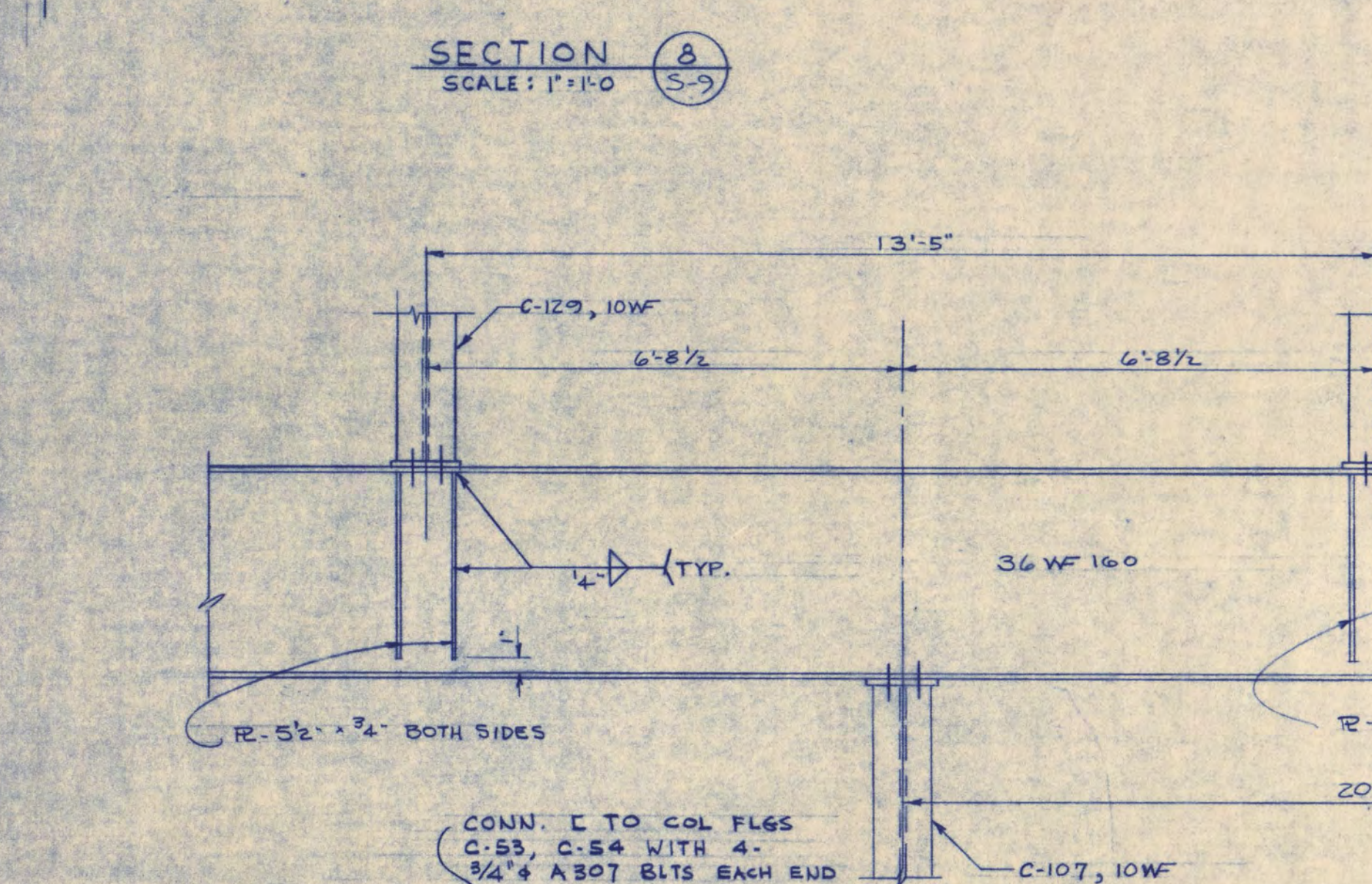
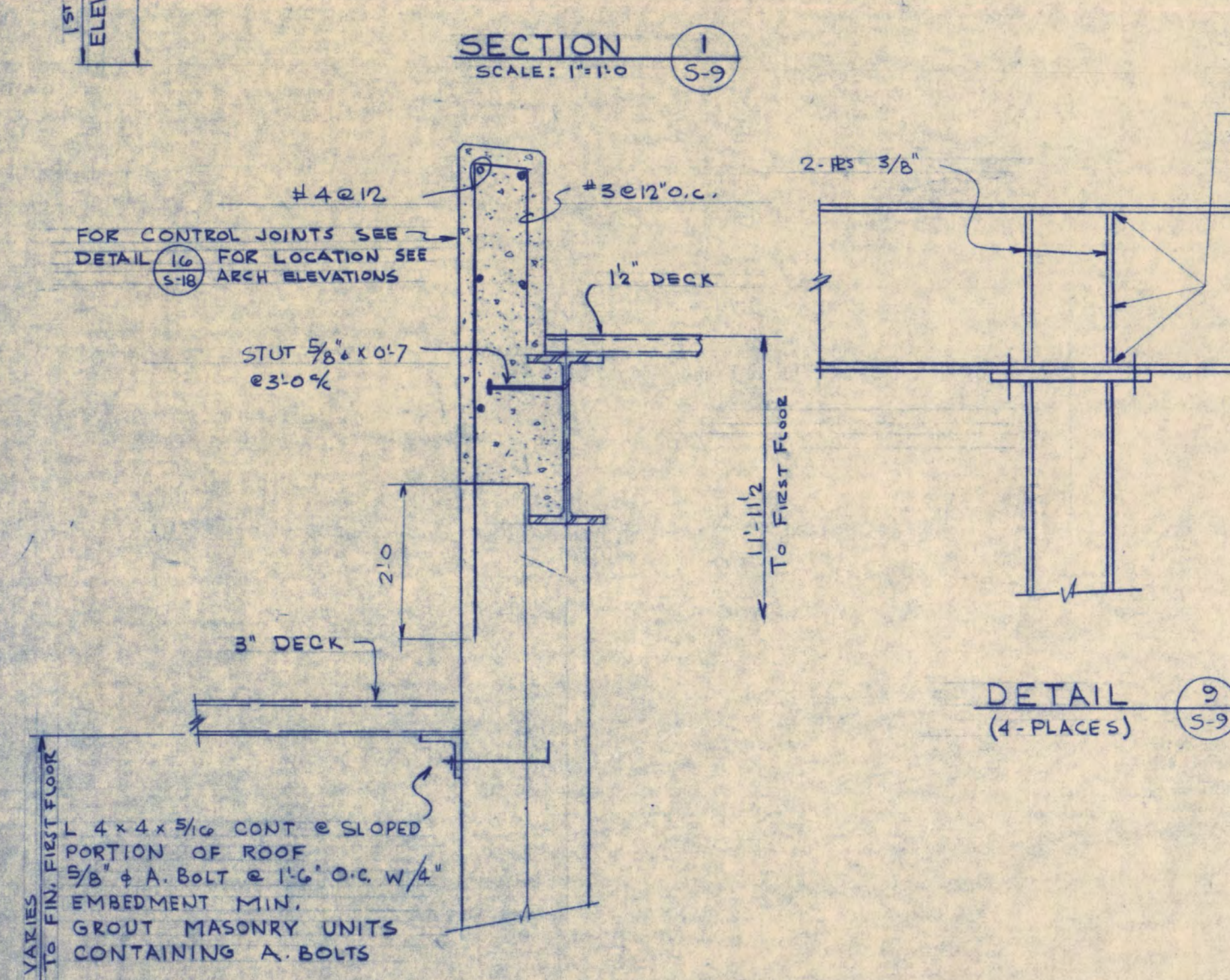
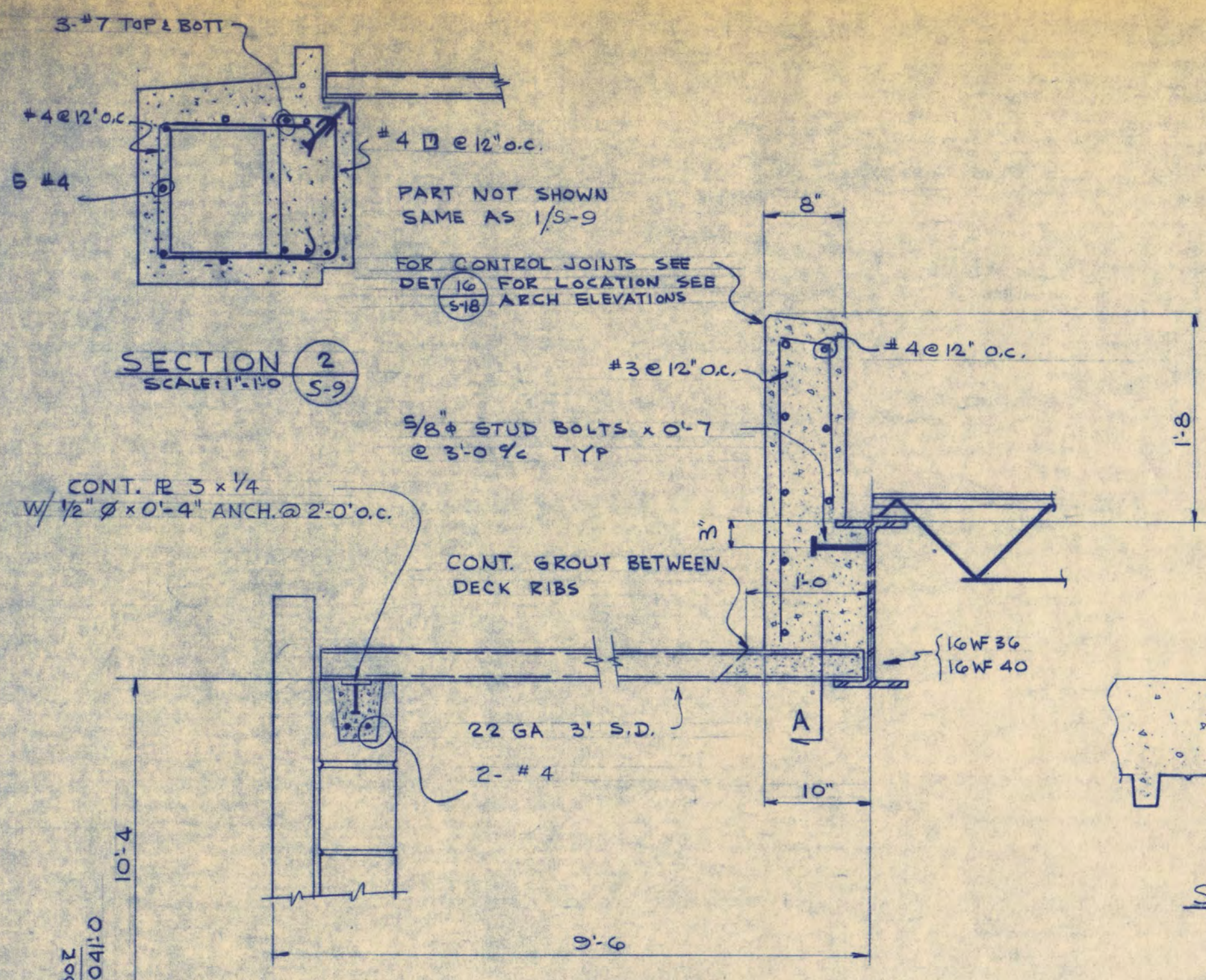
WALTER BUTLER COMPANY	
HAARSTICK LUNDGREN AND ASSOCIATES INC.	
ARCHITECTS	ENGINEERS
ST. PAUL	MINN.
FINE ARTS BUILDING	
ST. CLOUD STATE COLLEGE	
ST. CLOUD, MINNESOTA	
DEPARTMENT OF ADMINISTRATION - STATE OF MINNESOTA	
A. J. NELSON STATE ARCHITECT	
STATE PROJECT NO.	APPROVED BY: PRESIDENT, ST. CLOUD STATE COLLEGE
3750	
CONTRACT NO.	APPROVED BY: EXECUTIVE DIRECTOR, STATE COLLEGE BOARD
6401	
DATE	APPROVED BY: COMMISSIONER OF ADMINISTRATION
7-18-65	
DRAWN BY	I HEREBY CERTIFY THAT THIS DRAWING WAS PREPARED BY ME OR UNDER
D.M.	MY DIRECT SUPERVISION AND THAT I AM A REGISTERED
CHECKED BY	UNDER THE LAWS OF THE STATE OF
S.B.	MINN.
SHEET NO.	REQ. NO.
5-7	
REV. DATE	STRUCTURAL
5-16-66	STAIRS A, B, C, D, E & F
OF 17 SHEETS	



**TYPICAL CONTROL JOINTS AT CONCRETE FASCIA (AROUND HIGH ROOFS A, B, C)**

**CORNER REIN. AT CONCRETE FASCIA ROOFS A, B, C.**

<b>WALTER BUTLER COMPANY</b>	
<b>HAARSTICK LUNDGREN AND ASSOCIATES INC.</b>	
ARCHITECTS	ENGINEERS
ST. PAUL	MINN.
<b>FINE ARTS BUILDING</b>	
ST. CLOUD STATE COLLEGE	
ST. CLOUD, MINNESOTA	
DEPARTMENT OF ADMINISTRATION - STATE OF MINNESOTA	
A. J. NELSON STATE ARCHITECT	
STATE PROJECT NO. 3790	APPROVED BY: PRESIDENT, ST. CLOUD STATE COLLEGE
6401	APPROVED BY: EXECUTIVE DIRECTOR, STATE COLLEGE BOARD
	APPROVED BY: COMMISSIONER OF ADMINISTRATION (AN AUTHORIZED SIGNATURE)
DATE 7-16-65	I HEREBY CERTIFY THAT THIS DRAWING WAS PREPARED BY ME OR UNDER MY DIRECT SUPERVISION AND THAT I AM A REGISTERED ARCHITECT UNDER THE LAWS OF THE STATE OF MINNESOTA.
DRAWN BY: D.M.	REG. NO.
CHECKED BY: S.S.	
DATE 5-8	<b>STRUCTURAL</b>
REV. DATE 5-16-66	SECTIONS



**WALTER BUTLER COMPANY**  
**HAARSTICK LUNDGREN AND ASSOCIATES INC.**  
 ARCHITECTS  
 ST. PAUL, MINN.

**FINE ARTS BUILDING**  
 ST. CLOUD STATE COLLEGE  
 ST. CLOUD, MINNESOTA

DEPARTMENT OF ADMINISTRATION - STATE OF MINNESOTA  
 A. J. NELSON STATE ARCHITECT

STATE PROJECT NO. 3750  
 CONAL. NO. 6401  
 DATE 7-10-65  
 DRAWN BY DIM:J.T.  
 CHECKED BY S.E.  
 SHEET NO. 5-9  
 REV. DATE 5-16-66

APPROVED BY: \_\_\_\_\_  
 PRESIDENT, ST. CLOUD STATE COLLEGE

APPROVED BY: \_\_\_\_\_  
 EXECUTIVE DIRECTOR, STATE COLLEGE BOARD

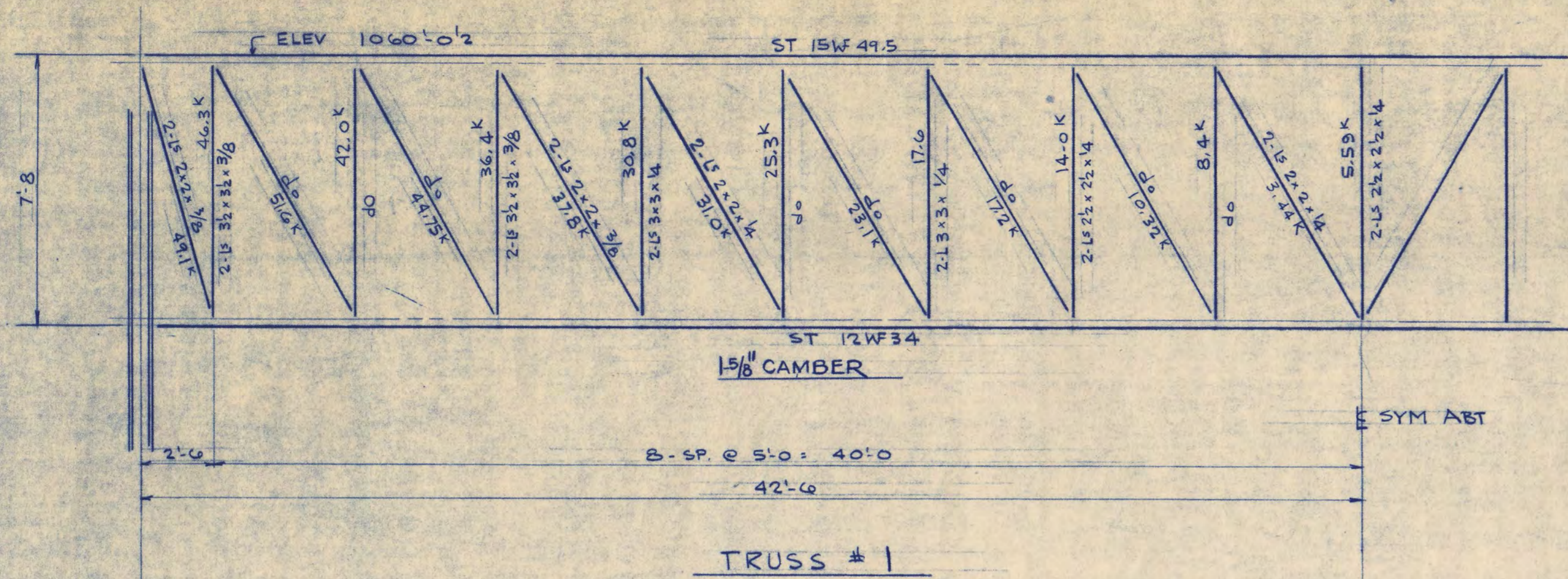
APPROVED BY: \_\_\_\_\_  
 COMMISSIONER OF ADMINISTRATION  
 (AN AUTHORIZED SIGNATURE)

I HEREBY CERTIFY THAT THIS DRAWING WAS PREPARED BY ME OR UNDER MY DIRECT SUPERVISION AND THAT I AM A REGISTERED ARCHITECT UNDER THE LAWS OF THE STATE OF MINNESOTA.

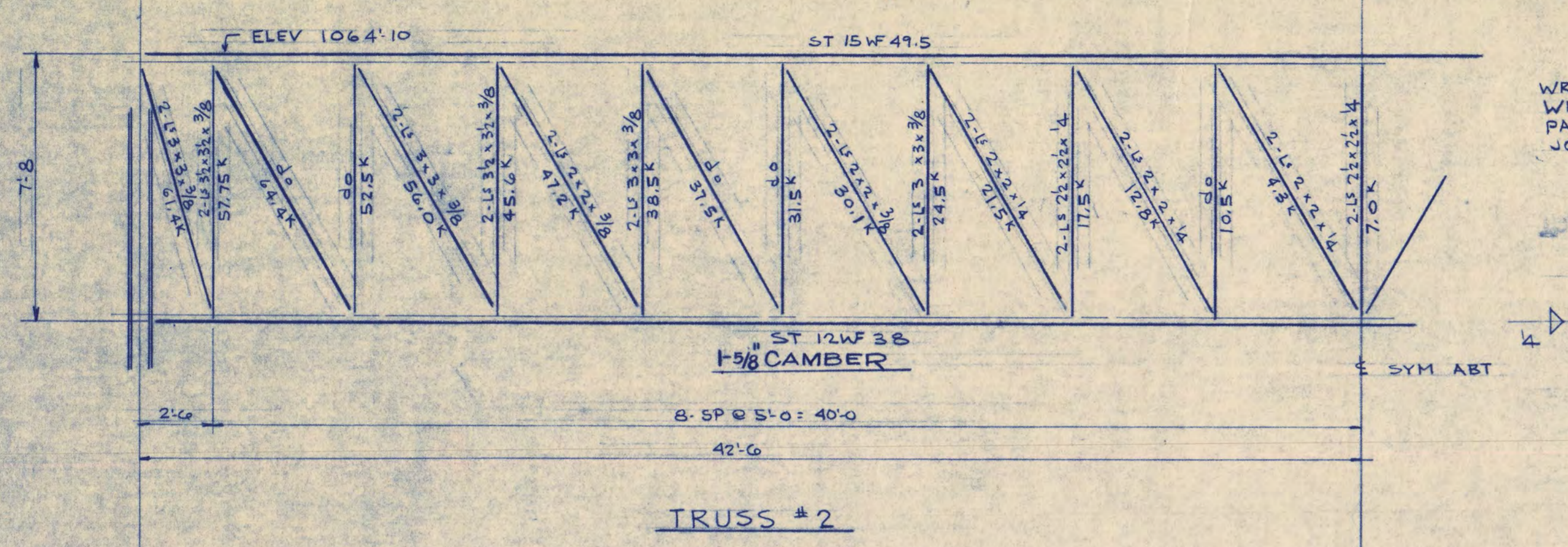
REG. NO. \_\_\_\_\_

**STRUCTURAL**

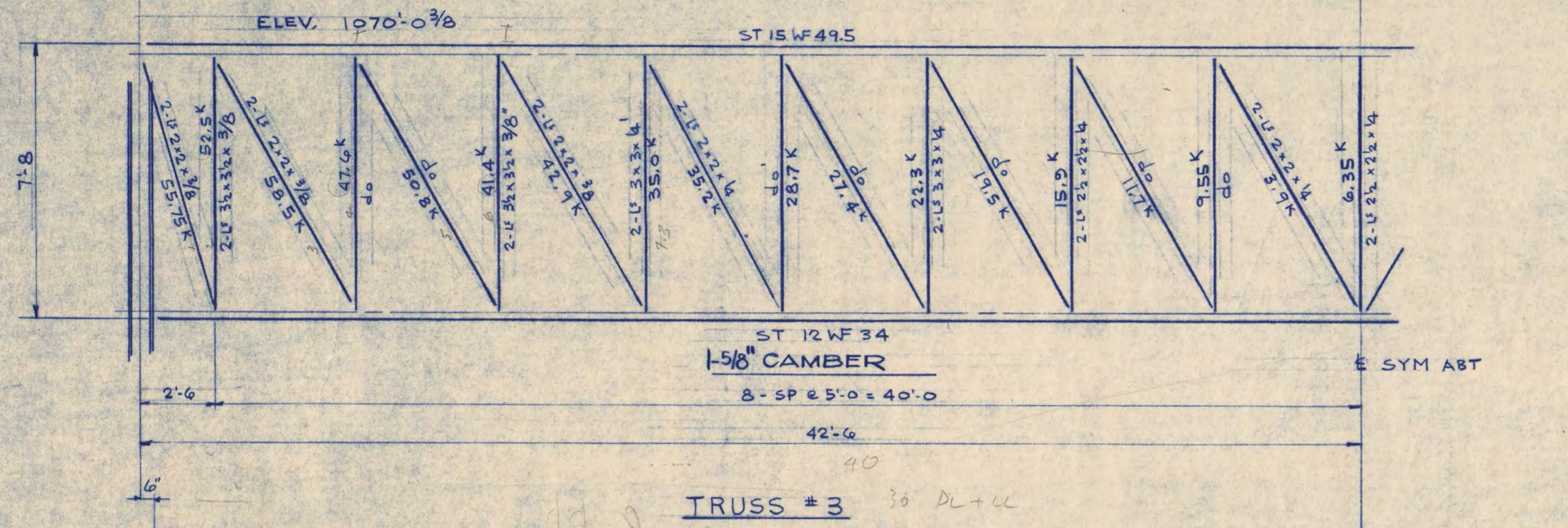
SECTIONS



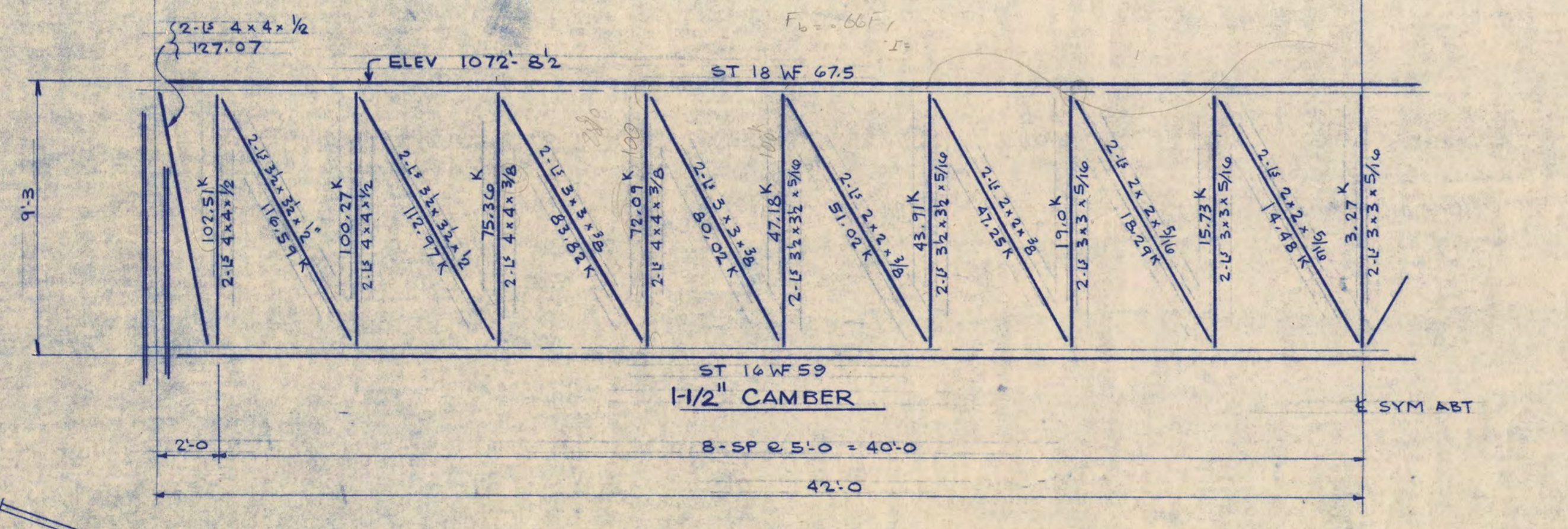
TRUSS # 1



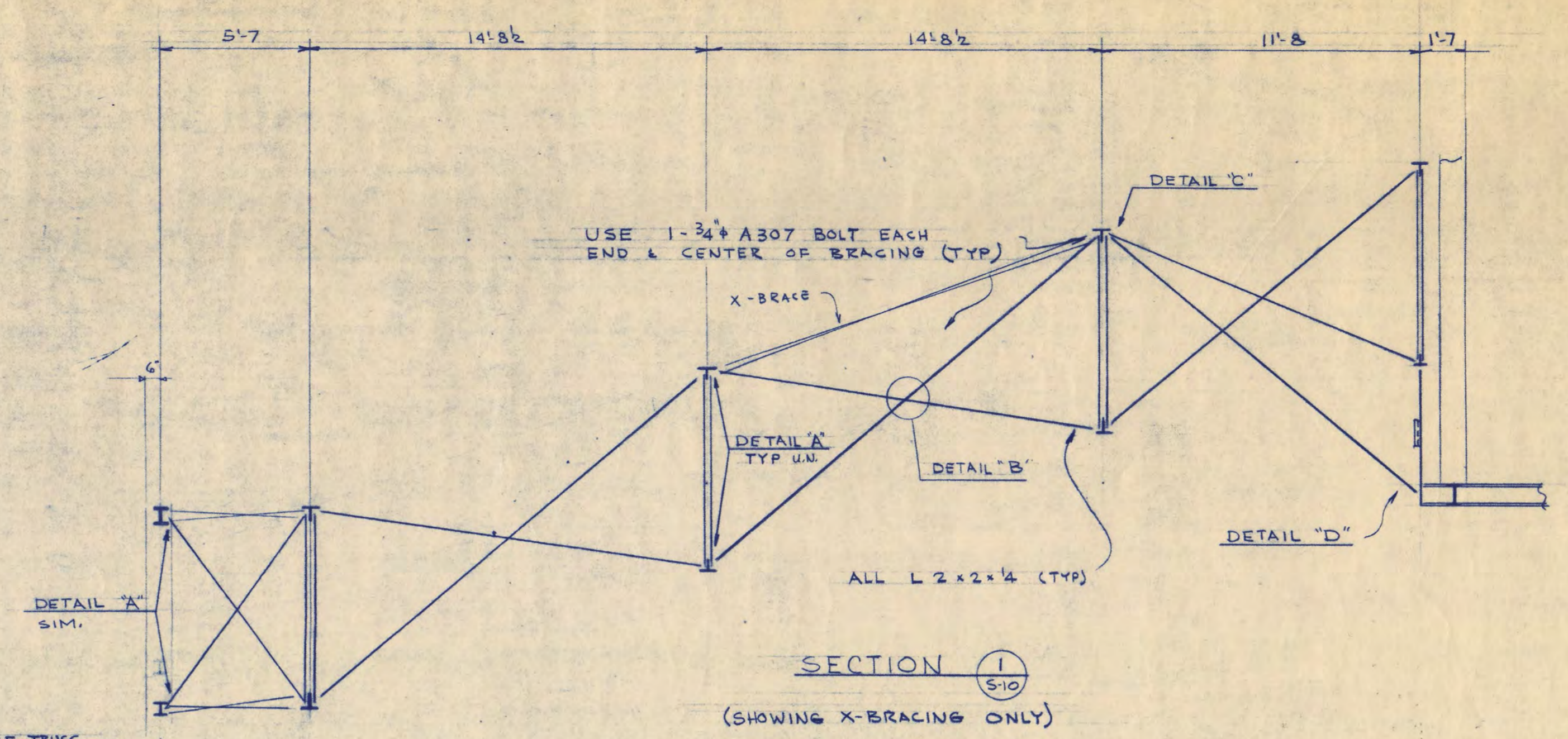
TRUSS # 2



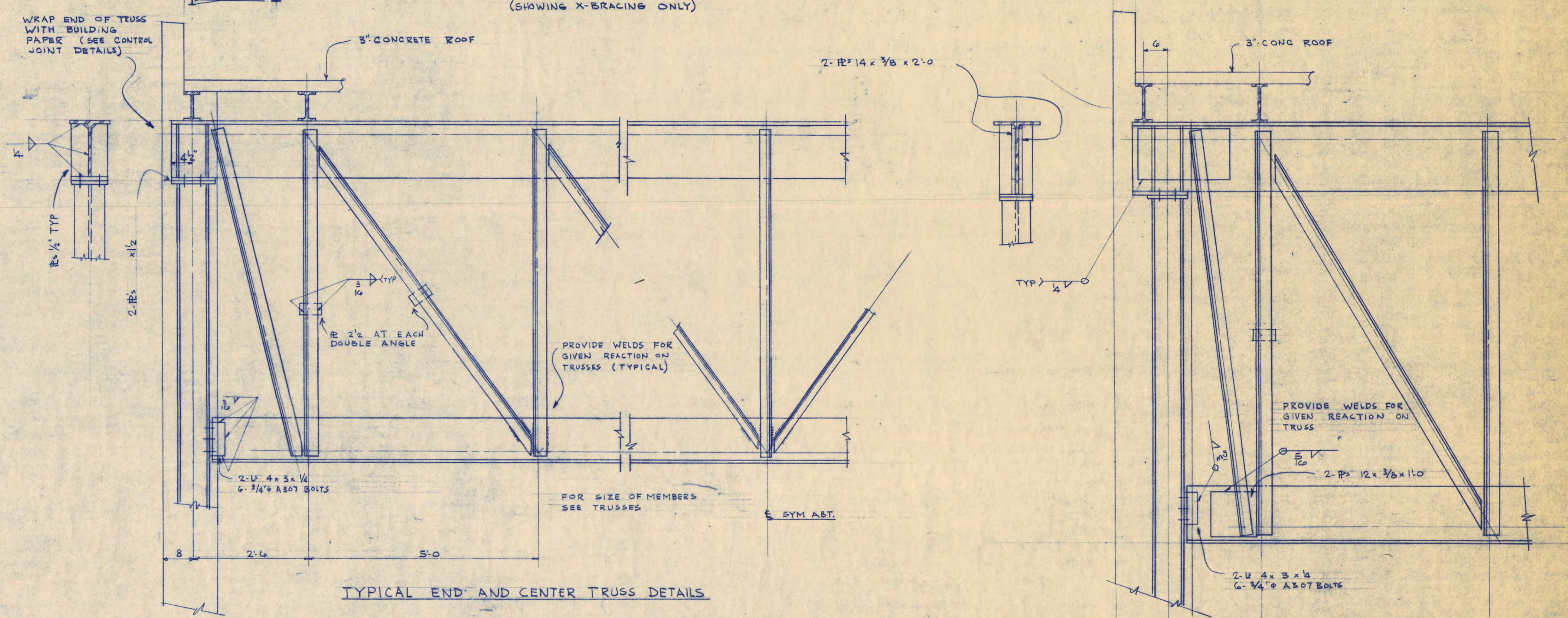
TRUSS # 3



TRUSS # 4

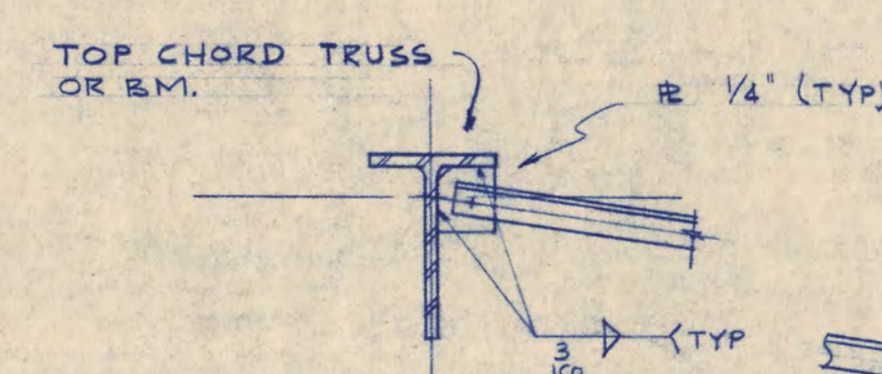


SECTION 1 (5-10)

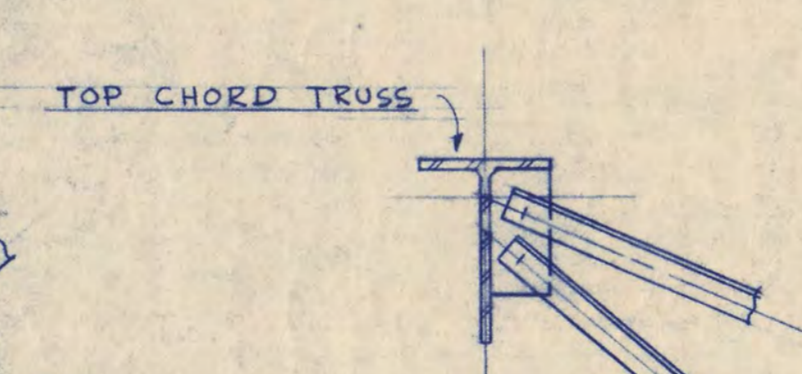


TYPICAL END AND CENTER TRUSS DETAILS

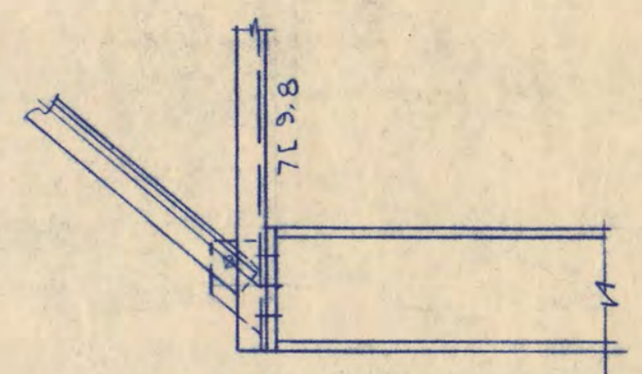
TYPICAL END FOR TRUSS # 4 ONLY



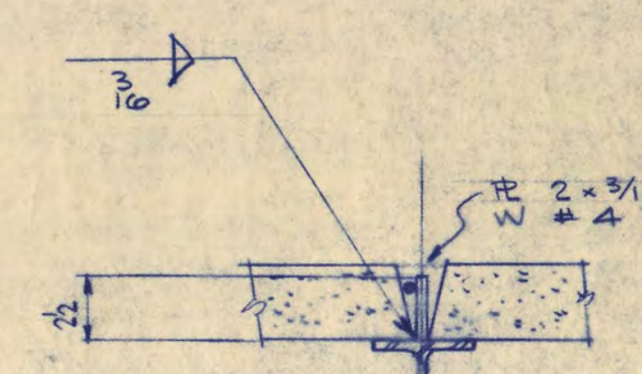
DETAIL A



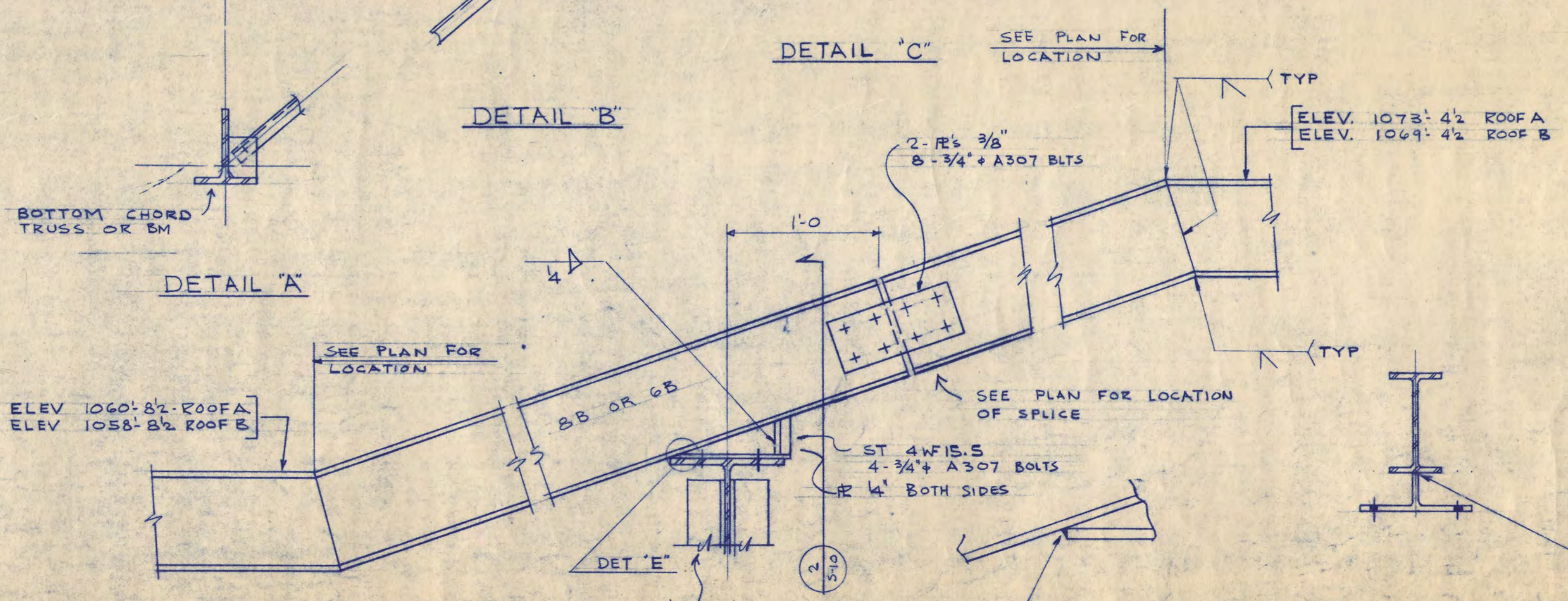
DETAIL B



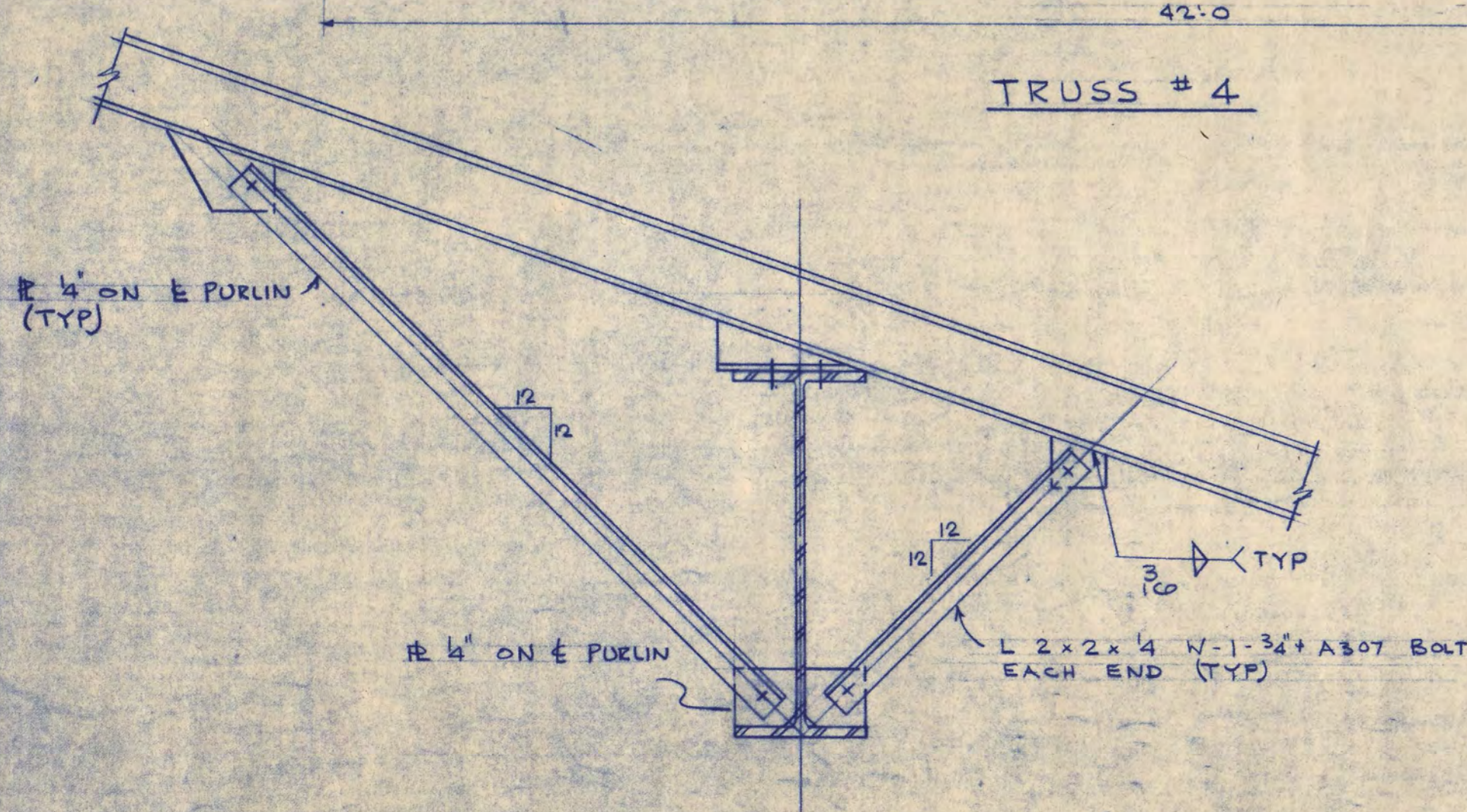
DETAIL C



DETAIL D

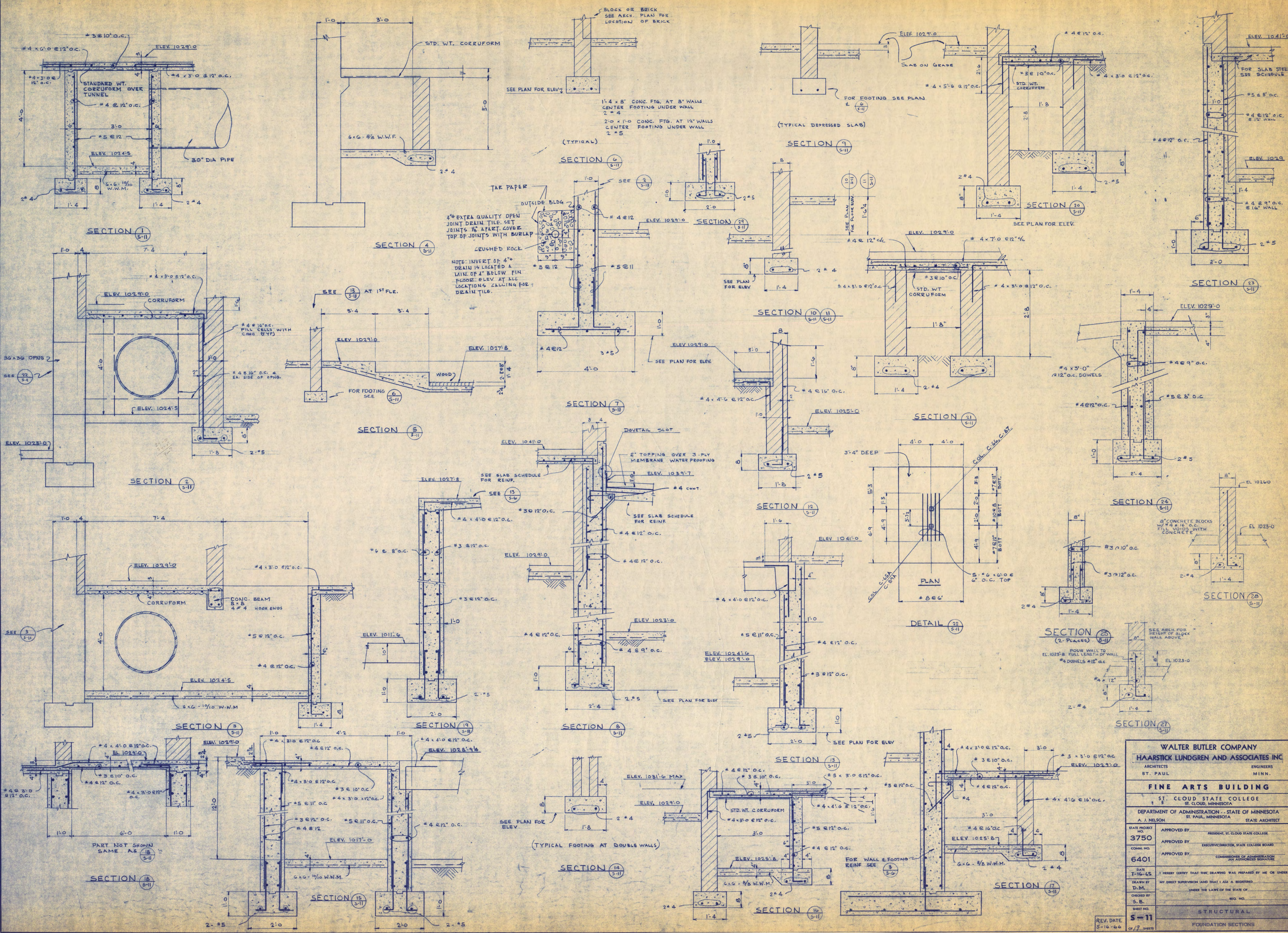


SECTION 2 (5-10)



SECTION 5 (5-10)

<b>WALTER BUTLER COMPANY</b>	
<b>HAARSTICK LUNDGREN AND ASSOCIATES INC.</b>	
ARCHITECTS ST. PAUL	ENGINEERS MINN.
<b>FINE ARTS BUILDING</b>	
ST. CLOUD STATE COLLEGE ST. CLOUD, MINNESOTA	
DEPARTMENT OF ADMINISTRATION - STATE OF MINNESOTA ST. PAUL, MINNESOTA	
A. J. NELSON STATE ARCHITECT	STATE ARCHITECT
STATE PROJECT NO. <b>3750</b>	APPROVED BY: PRESIDENT, ST. CLOUD STATE COLLEGE
COMM. NO. <b>6401</b>	APPROVED BY: EXECUTIVE DIRECTOR, STATE COLLEGE BOARD
DATE 7-16-65	APPROVED BY: COMMISSIONER OF ADMINISTRATION AN AUTHORIZED SIGNATURE
DRAWN BY D.M.	I HEREBY CERTIFY THAT THIS DRAWING WAS PREPARED BY ME OR UNDER MY DIRECT SUPERVISION AND THAT I AM A REGISTERED ARCHITECT UNDER THE LAWS OF THE STATE OF MINNESOTA.
CHECKED BY S.B.	REC. NO.
SHEET NO. <b>5-10</b>	STRUCTURAL
REV. DATE 5-16-66	TRUSSES 1, 2, 3 & 4



<b>WALTER BUTLER COMPANY</b>	
<b>HAARSTICK LUNDGREN AND ASSOCIATES INC.</b>	
ARCHITECTS	ENGINEERS
ST. PAUL	MINN.
<b>FINE ARTS BUILDING</b>	
ST. CLOUD STATE COLLEGE	
ST. CLOUD, MINNESOTA	
DEPARTMENT OF ADMINISTRATION - STATE OF MINNESOTA	
A. J. NELSON STATE ARCHITECT	
STATE PROJECT NO. 3750	APPROVED BY: PRESIDENT, ST. CLOUD STATE COLLEGE
COMM. NO. 6401	APPROVED BY: EXECUTIVE DIRECTOR, STATE COLLEGE BOARD
	APPROVED BY: COMMISSIONER OF ADMINISTRATION (AN AUTHORIZED SIGNATURE)
DATE 7-16-65	I HEREBY CERTIFY THAT THIS DRAWING WAS PREPARED BY ME OR UNDER MY DIRECT SUPERVISION AND THAT I AM A REGISTERED
DRAWN BY D.M.	UNDER THE LAWS OF THE STATE OF
CHECKED BY S.B.	REG. NO.
SHEET NO. 5-11	STRUCTURAL
REV. DATE 5-16-66	FOUNDATION SECTIONS

CONCRETE BEAM SCHEDULE												CONCRETE BEAM SCHEDULE												CONCRETE BEAM SCHEDULE											
BEAM MARK	SIZE		REINFORCING BARS		STIRRUPS		REMARKS	BEAM MARK	SIZE		REINFORCING BARS		STIRRUPS		REMARKS	BEAM MARK	SIZE		REINFORCING BARS		STIRRUPS		REMARKS												
	W	D	TOP LEFT	TOP RIGHT	SIZE	TYPE			W	D	TOP LEFT	TOP BARS	TOP RIGHT	SIZE			TYPE	W	D	TOP LEFT	TOP BARS	TOP RIGHT		SIZE	TYPE	SPACING									
B-1	12	15	-	1-#6 2-#7	2-#7A	#4	1#6; 12#12 FROM NORTH 1#2; 12#5 FROM SOUTH	B-57	12	14	-	2-#6 2-#6A	#4	1#2 1/2; 6#5 1/2 FROM WEST	B-120A B-121A	14	30	2-#9 CONT. 1-#9 4-0-0 1-#9 4-0-0	2-#9 CONT. 1-#9 4-0-0 CTR. BM.	#4	#4 @ 18" FULL LENGTH OF BEAM	TOP LT. CONT. 2-#9 1-#6 CONT.													
B-2	12	15	-	3-#5	1-#6A 2-#8A	#4	NO STIRRUPS FROM NORTH 1#2; 4#5 FROM SOUTH	B-58	12	14	-	2-#6A 3-#7	2-#6A	#4	1#2; 4#5; 2#10 FROM EACH END.	B-120B B-121B	14	30	2-#9 CONT. 1-#9 4-0-0	2-#9 CONT. 1-#9 4-0-0	#4	5 @ 12" FROM EACH END	TOP RT. CONT. 2-#9 CONT. 1-#6												
B-3	12	22	-	2-#6 2-#7	2-#7A	#4	1#3; 7#8 FROM EACH END.	B-59	12	38 1/2	-	3-#8A 4-#7	3-#8A	#4	1#6; 3#10 FROM EACH END.	B-120 C B-121 C	12	VAR. 3-10 MIN.	2-#9 CONT. 2-#9	2-#9 CONT. 2-#9	#4	#4 @ 12" FULL LENGTH OF BEAM	TOP LT. CONT. 2-#9 & 1-#6 CONT. EXT. TOP RT. 2-0 INTO FL. SLAB 4" HK.												
B-4	12	22	-	2-#6 2-#7	3-#8A 2-#8B	#4	1#4; 11#8 FROM EACH END.	B-60	12	24	-	2-#7 1-#6A	2-#7A	#4	1#5; 11#10 FROM NORTH 1#5; 12#10 FROM SOUTH	B-120 D B-121 D	-	-	-	-	-	-	SEE DETAIL												
B-5	12	20	-	1-#6 2-#7	2-#9A 2-#8A	#4	1#4; 5#8 FROM EACH END.	B-61	12	24	-	4-#8A 4-#6	2-#8A 2-#9A	#4	1#5; 10#10 FROM EACH END.	B-120 E	12	20	2-#9 CONT. 1-#9 4-0-0	3-#8 2-#9 CONT. 1-#9 4-0-0	#4	7 @ 8" FROM EACH END	BEND TOP LT. DN 1/4 INTO COL. EXT. TOP RT. 2-0 INTO COL.												
B-6	12	20	-	2-#6 2-#7	4-#8A	#4	1#4; 9#8 FROM EACH END.	B-62	12	18	-	2-#6 2-#7	4-#8A	#4	1#2; 7#4; 3#7; 3#10 FROM NORTH 1#3; 8#7; 3#10 FROM SOUTH	B-121 E	12	20	2-#9 CONT. 1-#9 4-0-0	3-#8 2-#9 CONT. 1-#9 4-0-0	#4	7 @ 8" FROM EACH END	EXT. TOP LT. 2-0 INTO COL. BEND TOP RT. 2-0 INTO COL.												
B-7	12	20	-	2-#6 2-#7	2-#8A 4-#9A	#4	1#4; 9#8 FROM EACH END.	B-63	12	18	-	3-#6A 4-#6	2-#8A 1-#9A	#4	1#3; 11#7 FROM NORTH 1#3; 9#7; 3#11 FROM SOUTH	B-120 F	12	VAR. 3-10 (4)	2-#5 CONT.	2-#5	2-#5	#4	#4 @ 12" FULL LENGTH OF BEAM	EXT. TOP 2-#5 2-0 BEYOND OPNG. OF BEAM											
B-8	12	20	-	2-#6 4-#7	2-#8A 4-#9A	#4	1#3; 10#7 1/2 FROM EACH END.	B-64	8	8	-	2-#5 2-#4A	2-#4A	#3	1#4; 2#9 FROM EACH END	B-122 THRU B-125 B-127	14	24	2-#4 4-0-0 2-#11	3-#11 2-#4 4-0-0 2-#11	#4	6#5; 5#6; 7#8 FROM BOTH ENDS	#4 TOP ARE DOWELS INTO WALL. HOOK #11 TOP												
B-9	12	20	-	2-#7 2-#8	3-#8A 3-#7B	#4	1#3; 12#6 1/2 FROM EACH END.	B-65	12	18	-	1-#6 2-#7	2-#7A	#4	1#6; 9#12 FROM EAST 1#3; 14#7; 3#12 FROM WEST	B-128	14	24	2-#4 4-0-0 2-#11	B-11 2-#4 4-0-0 2-#11	#4	12#4; 3#6 1/2 FROM BOTH ENDS	#4 TOP ARE DOWELS INTO WALL. HOOK #11 TOP												
B-10	12	20	-	4-#6	2-#7A 2-#9A	#4	1#3; 9#7 FROM EACH END.	B-66	12	18	-	4-#9	2-#8A	#4	1#4; 4#9 FROM NORTH 1#4; 13#8 FROM SOUTH	B-129 B-130	12	15	2-#7 4-0-0 2-#11	B-11 2-#4 4-0-0 2-#11	#4	#4 @ 7" FULL LENGTH OF BEAM	EXT. 3-#7 TOP LT. BARS 2-0 INTO S-32 & S-34. EXT. 3-#8 BOTT. BARS 5" INTO B-131 & B-132. SEE DETAIL.												
B-11	12	15	-	3-#5	3-#7A	-	-	B-67	12	18	-	4-#6	2-#9A	#4	1#4; 7#9; 3#12 FROM NORTH 1#4; 5#9; 3#12 FROM SOUTH	B-131 B-132	16	24	4-#10 9-0-0 1-#7 4-0-0	4-#8 HK. 8 ENDS	#4	8 @ 10" FROM EACH END	EXT. TOP LT. BARS 3-0 INTO S-30 BEYOND 1/2 OF B-128 & CONT. TOP LT. BARS AT COR. & BEND. DN. 1-0												
B-12	12	15	-	2-#7A 2-#7	3-#8A	#4	1#2; 12#5 FROM NORTH 1#2; 12#12 FROM SOUTH	B-68	12	18	-	3-#6A 4-#6	2-#8A 1-#9A	#4	1#4; 7#9; 3#12 FROM NORTH 1#6; 6#12 FROM SOUTH	B-133	8	10	2-#4 2-0-0 2-#5	2-#4 2-0-0 HOOK	-	-	-	-											
B-13	12	22	-	3-#6A 2-#8	1-#8A 2-#10A	#4	1#4; 4#8 FROM WEST 1#4; 12#8 FROM EAST	B-69	12	18	-	3-#7A 3-#9	2-#8A 2-#9A	#4	1#3; 14#7; 2#10 FROM EAST 1#3; 6#7; 4#10 FROM WEST	B-134	12	14	2-#6 4-0-0 HOOK	4-#6	2-#6 4-0-0 HOOK	#4	1#6; 5#12 FROM EACH END	EXTEND TOP BARS OVER COL. C-184											
B-14	12	22	-	2-#6 2-#7	2-#9A 1-#10A	#4	1#4; 8#8; 1#11; 4#8 FROM EACH END	B-70	-	-	-	-	-	SEE STAIR DETAILS	B-135	8	10	2-#5A	2-#4	2-#5A	#4	1#5; 3#10 FROM EACH END	EXTEND TOP BARS OVER COL. C-184												
B-15	12	20	-	4-#6	1-#7A 2-#8A	#4	1#4; 9#8 FROM WEST 1#4; 6#8 FROM EAST	B-71	12	19 1/2	-	3-#6 4-#8A	4-#8	#4	1#4; 5#8 FROM EACH END	B-136	18	15	2-#5A 2-#6A	6-#6	5-#7A	#4	1#5; 11#8 FROM EACH END	ADD 1-#5 STAIR HAUNCH EXTEND 2" TOP BARS RIGHT OVER LEFT SUPPORT											
B-16	12	18	-	1-#8 2-#6	1-#8A 2-#9A	-	-	B-72	12	19 1/2	-	2-#6 2-#6A	4-#8	#4	1#3; 8#8 FROM WEST 1#3; 4#9 FROM EAST	B-137	18	15	-	2-#5	-	#4	1-#6; 2#12 FROM EACH END	EXTEND 3-#7 TOP BARS FROM B-136 OVER RIGHT SUPPORT											
B-17	12	18	-	4-#6	1-#9A 2-#10A	#4	1#3; 11#7; 3#12 FROM EACH END	B-73	12	18	-	1-#7A 2-#8A	3-#6	2-#6A	#4	1#6; 4#12 FROM WEST 1#3; 9#7 FROM EAST	B-138	18	10	-	2-#5	3-#5A	#4	1#4; 7#8 1/2 FROM EACH END	DOWEL TOP BARS LEFT INTO COL. C-98 EXTEND TOP BARS LEFT 2" INTO WALL										
B-18	12	18	-	4-#7	2-#8A	#4	1#3; 14#7; 7#12 FROM WEST 1#3; 6#7 FROM EAST	B-74	16	24	-	2-#8A 3-#9A	2-#9	4-#9A	#4	1#4; 13#8 FROM EAST 1#4; 9#8 FROM WEST	B-139	12	16	3-#6A	4-#7	3-#6A	#4	1-#3; 12#6; 2#12 FROM EACH END	EXTEND TOP BARS RIGHT 2" INTO WALL										
B-19	12	15	-	3-#5A 4-#7	3-#5A	#4	1#4; 8#10 FROM NORTH 1#4; 8#10 FROM SOUTH	B-75	12	18	-	3-#7	3-#8A	#4	1#3; 6#6 FROM WEST 1#3; 7#6 FROM EAST	B-140	12	16	-	3-#6	3-#6A	-	-	-											
B-20	12	16	-	3-#6A 4-#6	4-#7A	#4	1#3; 11#6 FROM WEST 1#3; 11#6 FROM EAST	B-76	12	12	-	2-#5A	2-#5	3-#7A	#4	1#5; 2#10 FROM EACH END	B-141	12	20	3-#6A	4-#7	3-#7A	#4	1#4; 8#12 FROM EACH END	EXTEND TOP BARS RIGHT OVER B-144										
B-21	12	16	-	4-#5	2-#7A 2-#8A	#4	1#3; 8#6; 2#8 FROM EACH END	B-77	12	28	-	3-#7	3-#7A	#4	1#5; 3#10 FROM EACH END	B-142	12	20	-	3-#6	-	#4	1#6; 12#8 FROM EACH END	SEE PLAN FOR DETAIL HOOK BOTT. BAR @ NO. END											
B-22	12	16	-	2-#6 2-#7	3-#8A	#4	1#3; 11#8 FROM WEST 1#3; 11#8 FROM EAST	B-78	12	28	-	3-#8A	6-#9	3-#8A	#4	1#3; 11#12 FROM EACH END	B-143	12	20	-	4-#7	3-#6A	#4	1-#4; 8#8 1/2 FROM EACH END	PLACE BOTT. BARS IN TWO LAYERS OF 3-#9 EA. HOOK 1 LAYER @ SO. END SEE SECTION (S)										
B-23	12	16	-	4-#5	1-#6A 2-#7A	#4	1#3; 11#8 FROM WEST 1#3; 11#8 FROM EAST	B-79	12	22	-	2-#9A	4-#8	3-#8A 3-#7B	#4	1#4; 6#8; 4#12 FROM WEST 1#4; 6#8 FROM EAST	B-144	18	30	4-#8A	3-#10 2-#11	4-#8A	#4	1#6; 13#12 FROM EACH END											
B-24	12	16	-	2-#5 1-#6	2-#6A	#4	1#3; 7#6 FROM WEST NO STIRRUPS FROM EAST	B-80	12	22	-	3-#7	3-#8A 3-#6B	#4	1#4; 7#9; 3#12 FROM EACH END	B-145	14	18	3-#6A	5-#7	3-#6A	#4	1-#3; 6#7 FROM EACH END												
B-25	12	15	-	1-#6 2-#7	2-#7A	#4	1#6; 12#12 FROM NORTH 1#2; 12#5 FROM SOUTH	B-81	12	14	-	2-#6	2-#6A	#4	1#4; 2#10 FROM EACH END	B-146	12	12	2-#6A	4-#5	2-#6A	-	-	-											
B-26	12	15	-	3-#5	1-#7A 2-#8A	#4	-	B-82	12	22	-	4-#7	2-#8A	#4	1#4; 12#9 FROM WEST 1#4; 5#9 4#12 FROM EAST	B-146	12	12	2-#6A	4-#5	2-#6A	-	-	SEE SHEET S-13 FOR BEAM SCHEDULE											
B-27	12	15	-	3-#6	-	#4	1#3; 6#6 FROM EACH END.	B-83	12	12	-	2-#6	2-#6A	#4	1#4; 2#10 FROM EACH END	B-146	12	12	2-#6A	4-#5	2-#6A	-	-	EXTEND TOP BARS RT. FULL LENGTH OF BM @ HOOK & SUPPORTS											
B-28	12	15	-	3-#5	3-#7A	-	-	B-84	15	22	-	5-#7	3-#8B	#4	1#4; 6#9 FROM WEST 1#2; 11#4; 6#9 FROM EAST	B-146	12	12	2-#6A	4-#5	2-#6A	-	-	EXTEND 3-#7 TOP BARS RIGHT OVER COL. C-36											
B-29	12	18	-	4-#5	-	#4	1#3; 5#7 FROM NORTH 1#3; 10#7 FROM SOUTH	B-85	15	22	-	5-#8	3-#8B	#4	1#2; 6#8; 4#9 FROM WEST 1#3; 5#6; 5#9 FROM EAST	B-146	12	12	2-#6A	4-#5	2-#6A	-	-	TOP BARS RIGHT FROM B-26											
B-30	12	18	-	2-#6 2-#7	3-#9A	#4	1#3; 10#7 FROM EACH END.	B-86	15	22	-	2-#7	3-#8A 3-#8B	#4	1#3; 10#7 FROM EACH END	B-146	12	12	2-#6A	4-#5	2-#6A	-	-	EXTEND 3-#7 TOP BARS RIGHT OVER COL. C-36											
B-31	12	15	-	3-#5	1-#9A 1-#9A	#4	1#3; 7#6 FROM NORTH 1#2; 9#11 FROM SOUTH	B-87	15	22	-	4-#8	3-#8A 3-#8B	#4	1-#3; 4#6 1/2; 5#9 FROM EACH END	B-146	12	12	2-#6A	4-#5	2-#6A	-	-	TOP BARS RIGHT FROM B-26											
B-32	12	15	-	4-#5	3-#7A	#4	1#3; 8#6 FROM EACH END	B-88	15	20	-	2-#7	2-#9A 2-#8A	#4	1#3; 9#7 1/2 FROM EACH END	B-146	12	12	2-#6A	4-#5	2-#6A	-	-	EXTEND TOP BARS RT. FULL LENGTH OF BM @ HOOK & SUPPORTS											
B-33	12	15	-	4-#5	1-#7A 2-#8A	#4	1#3; 8#6 FROM EACH END	B-89	15	20	-	2-#6	3-#8A 3-#8B	#4	1#4; 8#8 FROM EACH END	B-146	12	12	2-#6A	4-#5	2-#6A	-	-	EXTEND TOP BARS RT. FULL LENGTH OF BM @ HOOK & SUPPORTS											
B-34	12	15	-	3-#5	3-#7A	#4	1#3; 6#6; 3#12 FROM EACH END	B-90	15	20	-	3-#6	3-#8A 3-#8B	#4	1#3; 4#6; 6#8 FROM EACH END	B-146	12	12	2-#6A	4-#5	2-#6A	-	-	EXTEND TOP BARS RT. FULL LENGTH OF BM @ HOOK & SUPPORTS											
B-35	12	15	-	4-#6	1-#9A 2-#8A	#4	1#2; 9#5 1/2 FROM NORTH 1#3; 9#6 FROM SOUTH	B-91	15	20	-	2-#7	3-#9A 3-#8B	#4	1#2; 5#5 1/2; 6#8 FROM EACH END	B-146	12	12	2-#6A	4-#5	2-#6A	-	-	EXTEND TOP BARS RT. FULL LENGTH OF BM @ HOOK & SUPPORTS											
B-36	12	15	-	4-#6	1-#8A 2-#9A	#4	1#3; 10#6 FROM NORTH 1#2; 10#5 1/2 FROM SOUTH	B-92	15	20	-	3-#8	3-#9A 3-#8B	#4	1#2; 11#4; 4#8 FROM WEST 1#4; 8#8 FROM EAST	B-146	12	12	2-#6A	4-#5	2-#6A	-	-	EXTEND TOP BARS RT. FULL LENGTH OF BM @ HOOK & SUPPORTS											
B-37	12	15	-	3-#5	3-#8A	#4	1#3; 4#6 FROM NORTH NO STIRRUPS SOUTH	B-93	12	20	-	3-#6	3-#6A	#4	1#4; 5#8 FROM EACH END	B-146	12	12	2-#6A	4-#5	2-#6A	-	-	EXTEND TOP BARS RT. FULL LENGTH OF BM @ HOOK & SUPPORTS											
B-38	12	15	-	2-#7A 4-#6	3-#8A	#4	1#2; 11#5 1/2 FROM NORTH 1#2; 12#12 FROM SOUTH	B-94	12	18	-	3-#6	3-#6A	#4	1#6; 4#12 FROM EACH END	B-146	12	12	2-#6A	4-#5	2-#6A	-	-	TOP BARS LEFT FROM B-95											
B-39	10	12	-	3-#5A 3-#5	3-#5A	#4	1#4; 7#7 1/2 FROM EACH END.	B-95	12	18	-	2-#6A 2-#7A	3-#9	2-#7A	#4	1#3; 1#5; 9#7 FROM EACH END	B-146	12	12	2-#6A	4-#5	2-#6A	-	-	EXTEND TOP BAR RIGHT FULL LENGTH OF BEAM AND HOOK										
B-40	15	20	-	1-#6A 2-#7A	3-#8 2-#9	#4	1#4; 1#6; 11#12 FROM EACH END	B-96	-	-	-	-	-	OMIT	B-146	12	12	2-#6A	4-#5	2-#6A	-	-	EXTEND TOP BAR RIGHT FULL LENGTH OF BEAM AND HOOK												
B-41	16	22	-	4-#8	3-#9A 2-#10A	#4	1#4; 6#8 FROM WEST 1#3; 4#7; 6#9 FROM EAST	B-97	12	14	-	2-#6	2-#6A	#4	1#4; 3#9 FROM EACH END	B-146	12	12	2-#6A	4-#5	2-#6A	-	-	EXTEND TOP BAR RIGHT FULL LENGTH OF BEAM AND HOOK											

CONCRETE SLAB SCHEDULE

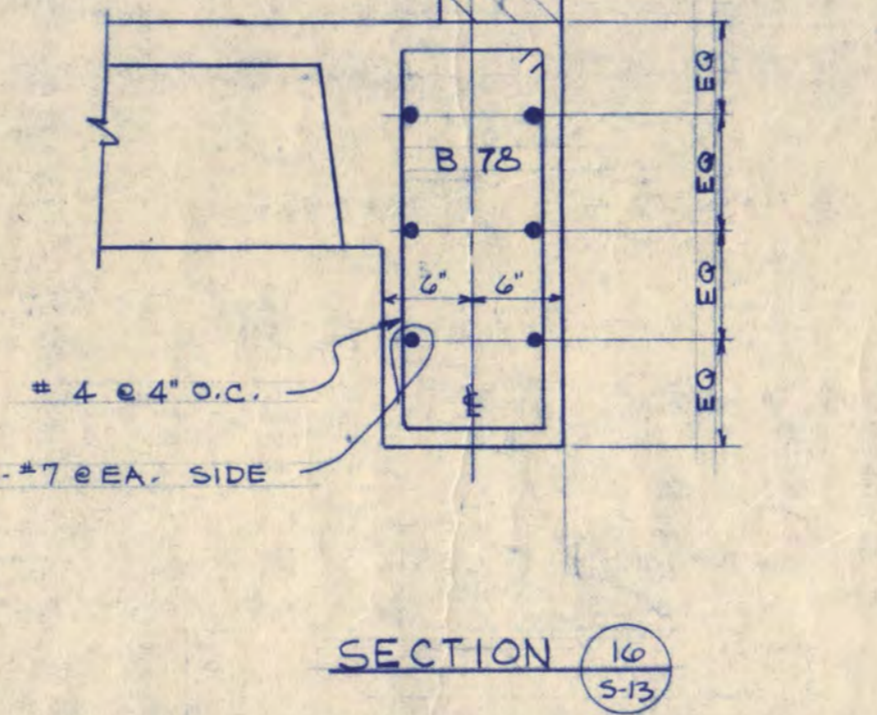
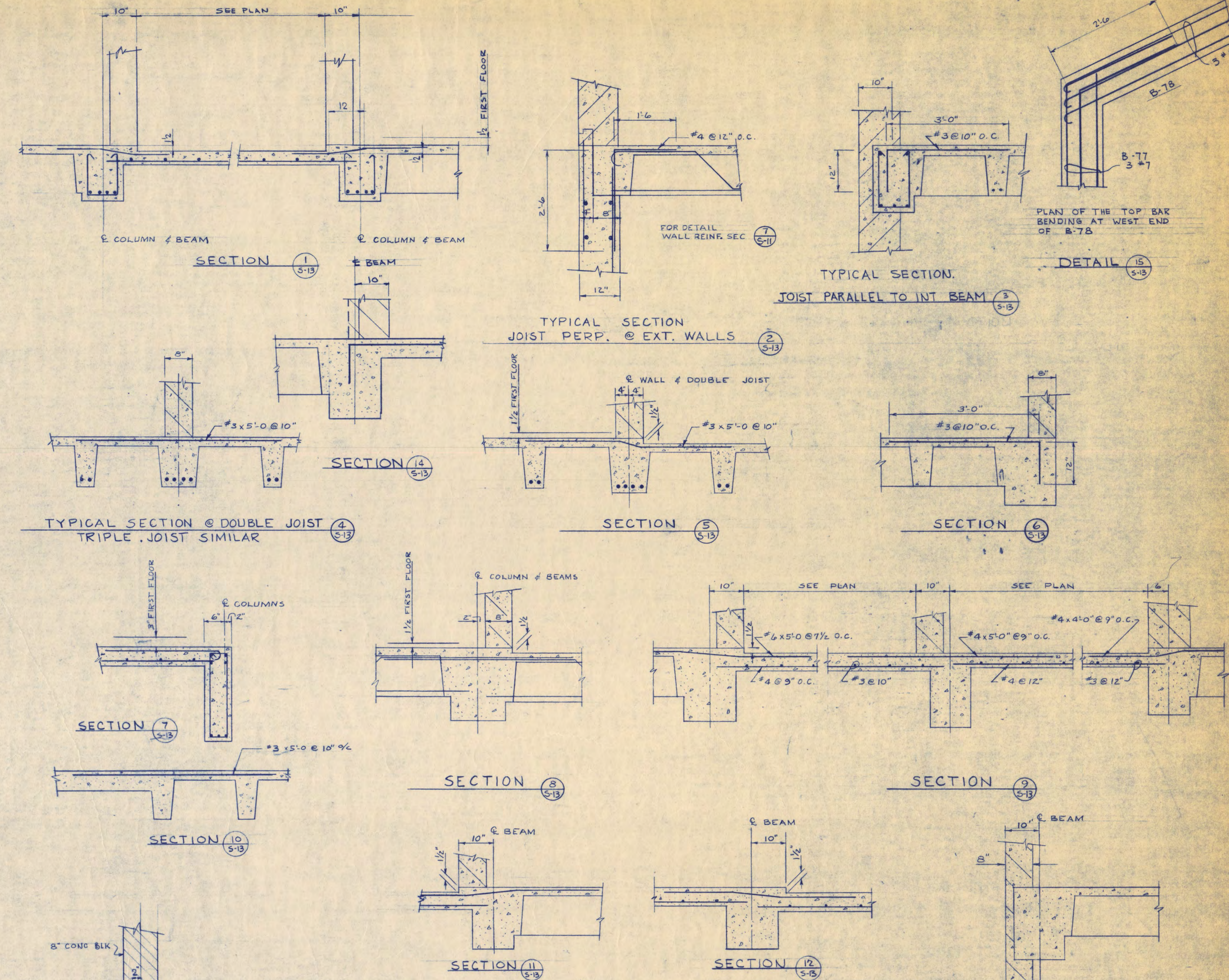
Table with columns: MARK, DEPTH, REINFORCING (TOP LEFT, BOTTOM, TOP RIGHT), TEMP., REMARKS. Rows 5-1 to 5-35.

CONCRETE JOIST SCHEDULE

Table with columns: MARK, B, D, REINFORCING (STRAIGHT, TRUSS), REMARKS. Rows J-1 to J-35.

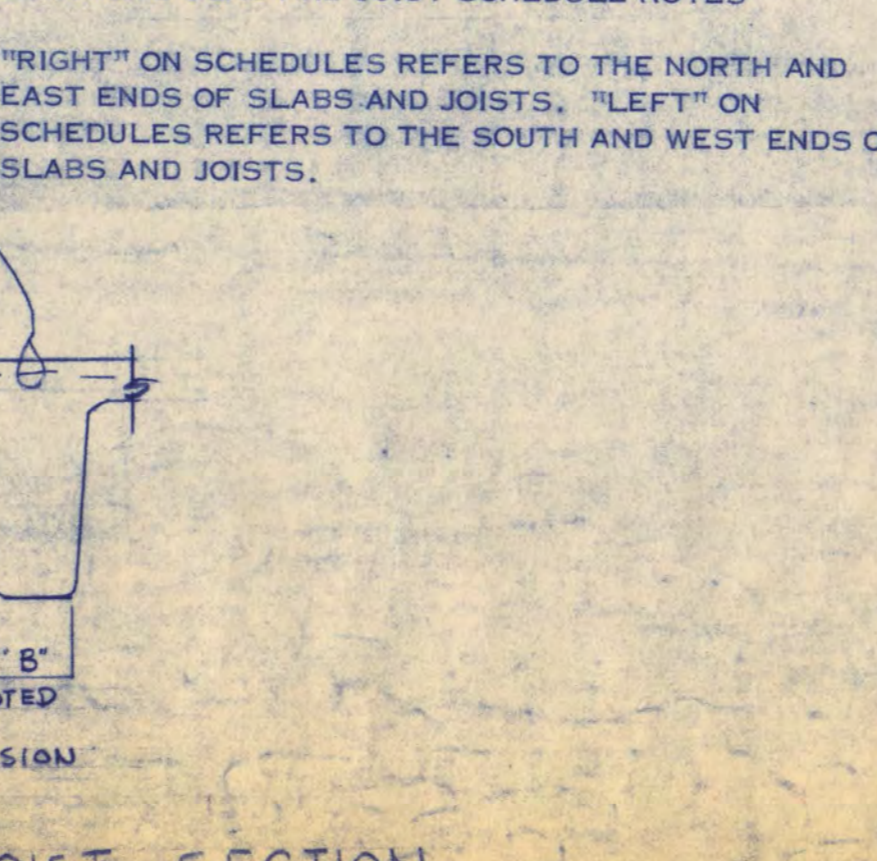
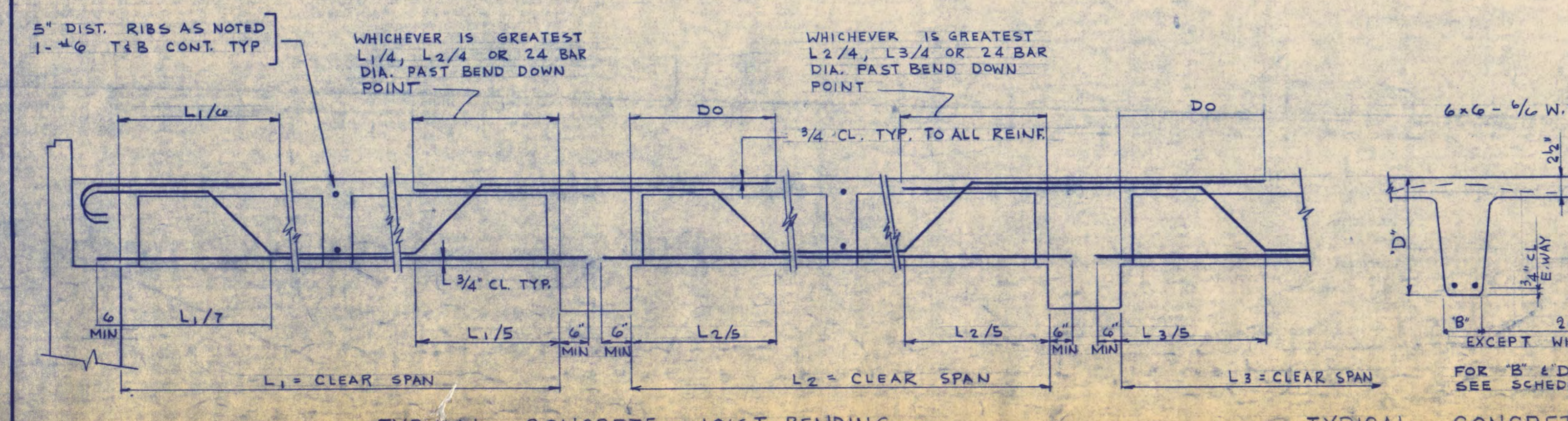
CONCRETE SLAB SCHEDULE

Table with columns: MARK, DEPTH, REINFORCING (TOP LEFT, BOTTOM, TOP RIGHT), TEMP., REMARKS. Rows S-36 to S-35.



CONCRETE BEAM SCHEDULE

Table with columns: BEAM MARK, SIZE (W, D), REINFORCING BARS (TOP LEFT, BOTT BARS, TOP RIGHT), STIRRUPS (SIZE, TYPE, SPACING), REMARKS. Rows B-147 to B-158.



Professional stamps and signatures including 'WALTER BUTLER COMPANY', 'FINE ARTS BUILDING', and 'ST. CLOUD STATE COLLEGE'. Includes project number 3750 and date 7-16-65.